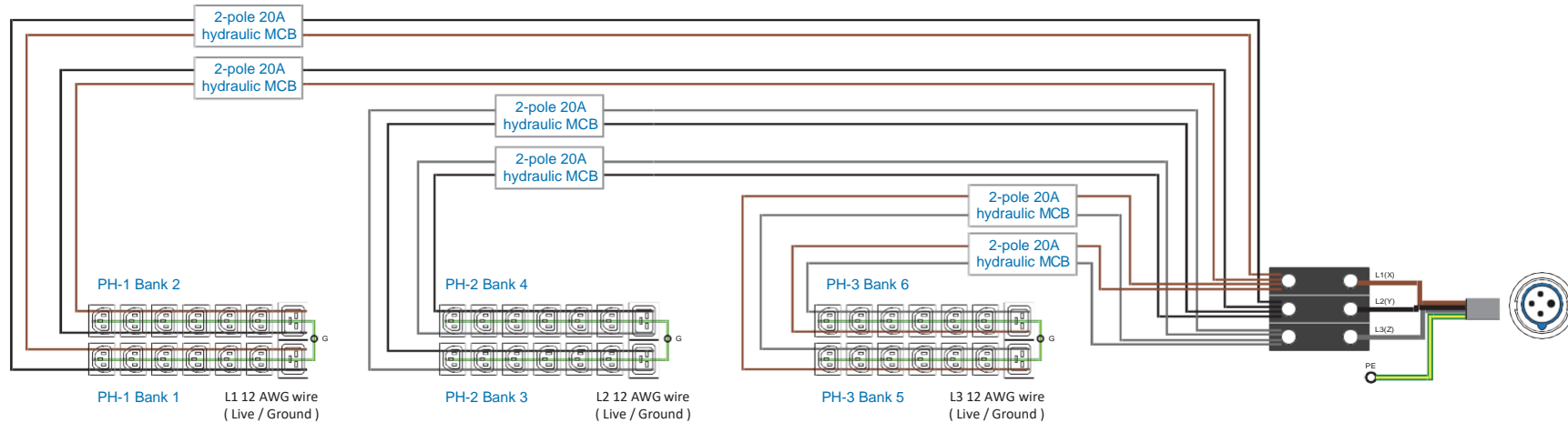
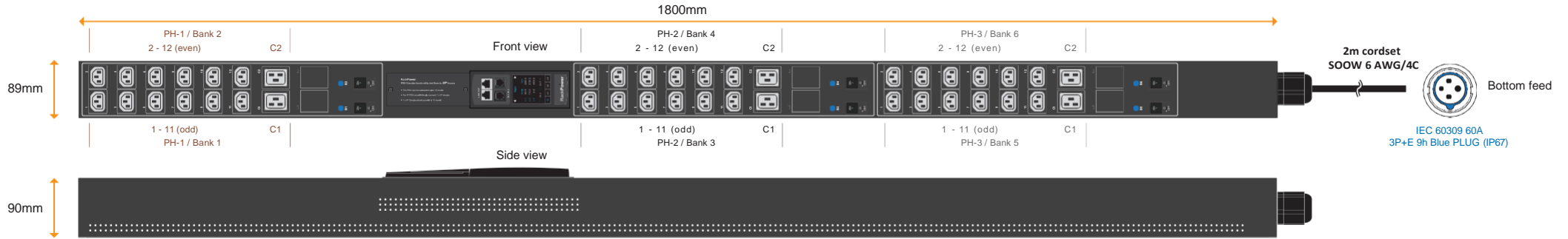


# 3-Phase 208V 60A monitored PDU drawing & specification

## RP1000: Strip level measurement, SNMP Hardware



### Three phase monitored PDU

Input Rating : 60A, 208V 3PH  
 Outlet : 10A Rated C13 x 36  
 16A Rated C19 x 6  
 Inlet : IEC 60309 60A 3P+E 9h Blue PLUG (IP67)  
 Cordset : 4-wire 2 meter SOOW 6 AWG/4C cordset  
 Protection : 20A 2-pole hydraulic MCB x 6  
 Bank Details : **PH-1 < Bank 1 >** Output 17.3A max. C 1 3 #1-1 1(odd) + C19 #C1  
 < Bank 2 > Output 17.3A max. C13 #2-12(even) + C19 #C2  
**PH-2 < Bank 3 >** Output 17.3A max. C 1 3 # 1 - 1 1(odd) + C19 #C1  
 < Bank 4 > Output 17.3A max. C13 #2-12(even) + C19 #C2  
**PH-3 < Bank 5 >** Output 17.3A max. C 1 3 # 1 - 1 1(odd) + C19 #C1  
 < Bank 6 > Output 17.3A max. C13 #2-12(even) + C19 #C2

### Meter Features ( W monitored PDU )

Local Display : Field replaceable 2.8" color LCD with touchscreen  
 Bank Measurement : Voltage ( V ), Current ( A ), energy ( kWh ) & power factor  
 Accuracy : ±1% Billing-grade  
 IP Access : via IP dongle, one IP Access up to 16 PDU Levels  
 Cascade : Up to 16 PDU under single IP address via IP dongle  
 SNMP : V2 / V3 via IP dongle  
 Sensor Port x 2 : Temp. Sensor / Temp. + Humid. Sensor



Operating Temperature : -5 to 60 °C  
 Storage Temperature : -25 to 65 °C  
 Operating Altitude : 0 to 2,000 m  
 Storage Altitude : 0 to 15,000 m  
 Humidity : 8 to 95% RH, non-condensing

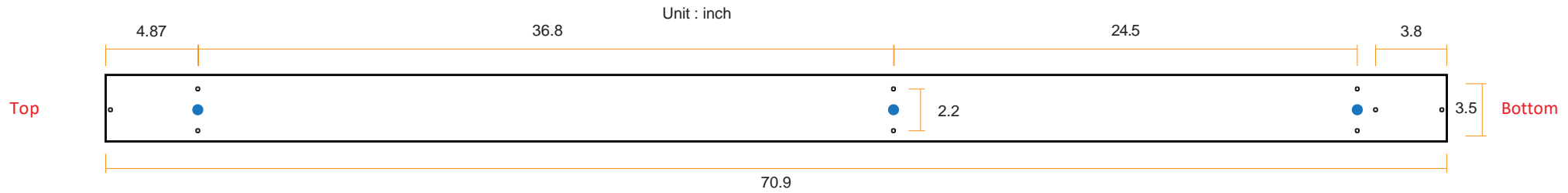
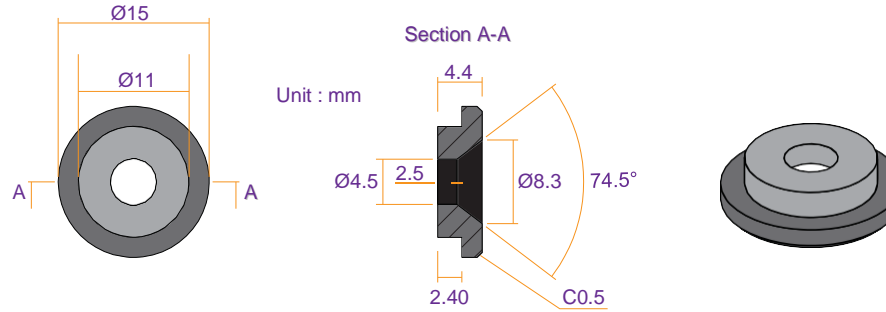
EMC Compliance : FCC Part 15 Subpart B certified  
 Safety Compliance : cTUVus Mark to UL 60950-1:2007/R:2014-10  
 CAN/CSA-C22.2 No. 60950-1:2007/A2:2014-10  
 UL 62368-1:2014  
 CAN/CSA-C22.2 No. 62368-1:2014  
 UL 60730-1 Ed.5 (2016)  
 Environment Compliance : RoHS2 & REACH

Material : Steel  
 Color : Black  
 PDU Dimension : 3.5 (W) x 3.5 (D) x 70.9 (H) inch  
 PDU net weight : 34.1 lbs



Packing Dimension : 4.3 (W) x 10.6 (D) x 85.4 (H) inch  
 PDU gross weight : 38.5 lbs

### VMS Mounting Button

 **x 3** +  **x 3**  
**M4 Screw**  
 - Flat head  
 - M4x10mm  
**PEG**



### VMB Mounting Bracket

 **x 4** +  **x 2**  
**M3.2 Screw**  
 - Flat head  
 - M3.2x6mm  
**Bracket**

