

Three phase monitored PDU

- Input Rating : 30A, 208V 3PH
- Outlet : 20A 110V Rated NEMA x 3
10A 208V Rated C13 x 21
16A208V Rated C19 x 6
- Inlet : 30A NEMA L21-30P plug
- Cordset : 5-wire 2 meter 10 SJT 10AWG cordset
- Protection : 20A 2-pole hydraulic MCB x 3
- Bank Details : < L1-L2 > Output 17.3A max. US # 1 + C 13 # 2 - 8 + C 19 # C 1 - C 2
< L2-L3 > Output 17.3A max. US # 1 + C 13 # 2-8 + C 19 # C1-C 2
< L3-L1 > Output 17.3A max. US # 1 + C 13 # 2-8 + C 19 # C1-C 2

Meter Features (W monitored PDU)

- Local Display : Field replaceable 2.8" color LCD with touchscreen
- Bank Measurement : Voltage (V), Current (A), energy (kWh) & power factor
- Accuracy : ±1% Billing-grade
- IP Access : via IP dongle, one IP Access up to 16 PDU Levels
- Cascade : Up to 16 PDU under single IP address via IP dongle
- SNMP : V2 / V3 via IP dongle
- Sensor Port x 2 : Temp. Sensor / Temp. + Humid. Sensor

- Operating Temperature : -5 to 60 °C
- Storage Temperature : -25 to 65 °C
- Operating Altitude : 0 to 2,000 m
- Storage Altitude : 0 to 15,000 m
- Humidity : 8 to 95% RH, non-condensing



- EMC Compliance : FCC Part 15 Subpart B certified
- Safety Compliance : cTUVus Mark to UL 60950-1:2007/R:2014-10
CAN/CSA-C22.2 No. 60950-1:2007/A2:2014-10
- UL 62368-1:2014
CAN/CSA-C22.2 No. 62368-1:2014
- UL 60730-1 Ed.5 (2016)
- Environment Compliance : RoHS2 & REACH

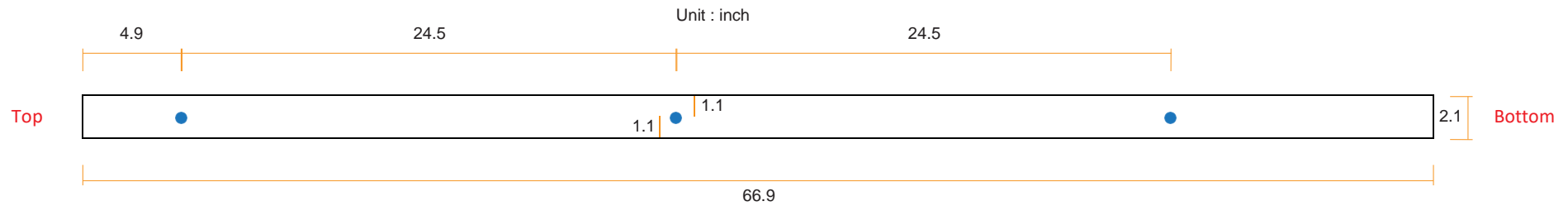
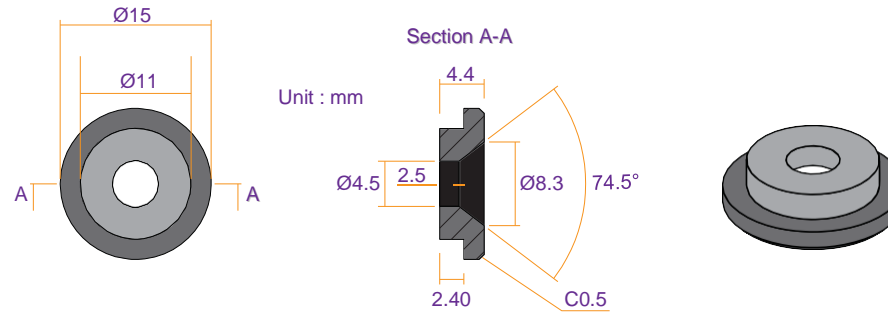
- Material : Steel
- Color : Black

- PDU Dimension : 2.1 (W) x 3.1 (D) x 66.9 (H) inch
- Net Weight : 16.1 lbs


- Packing Dimension : 4.3 (W) x 10.6 (D) x 80.4 (H) inch
- PDU Gross Weight : 36.5 lbs

VMS Mounting Button

 **x 3** +  **x 3**
M4 Screw
 - Flat head
 - M4x10mm
PEG



VMB Mounting Bracket

 **x 4** +  **x 2**
M3.2 Screw
 - Flat head
 - M3.2x6mm
Bracket

