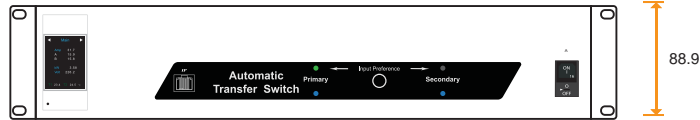
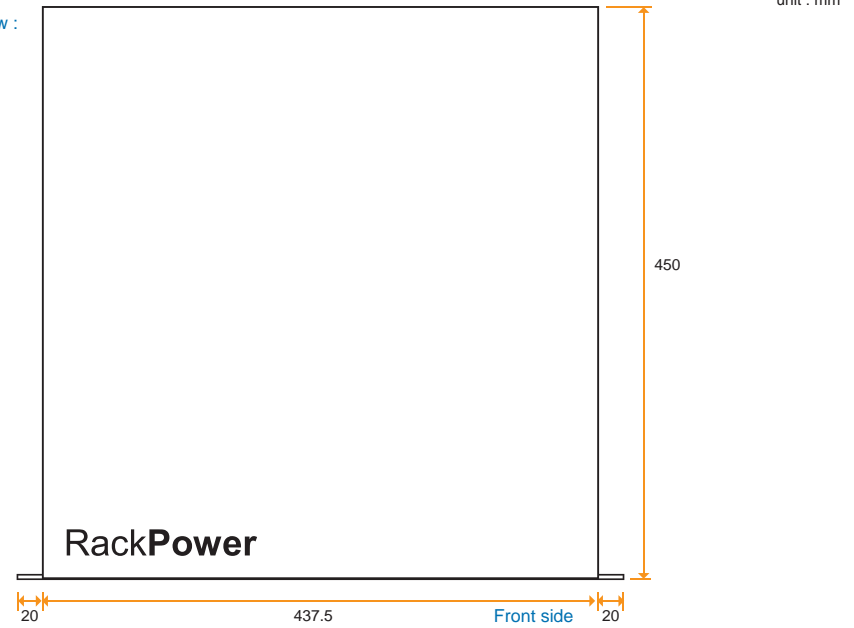


Automatic transfer switch

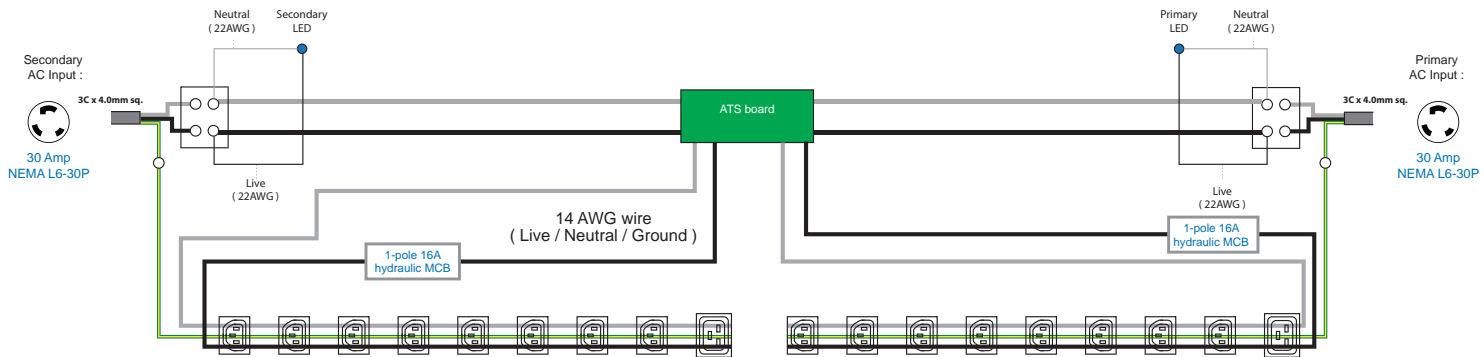
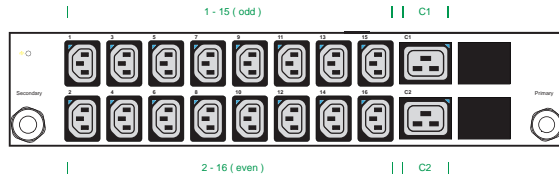
Front view



Top View :



Rear view



Automatic transfer switch

Input Rating : 30A, 208V
 Outlet : 10A Rated C13 x 16
 16A Ratec C19 x 2
 Inlet : 30A NEMA L6-30P plug x 2
 Cordset : 3 meter UL SJT 10 AWG cordset x 2
 Protection : 16A single pole hydraulic MCB x 2
 Circuit Details : < Circuit A > Output 16A max. C13 #1-15(odd) + C19 #C1
 < Circuit B > Output 16A max. C13 #2-16(even) + C19 #C2

ATS Specification

Nominal input voltage : 208V
 Acceptable input voltage : ±10% nominal
 Input frequency : 50 / 60Hz
 Transfer time : 10ms typical
 Electrical endurance : 1 x 10⁷ operations
 Power consumption : Approx. 20W

Meter Features (WS - Outlet Switched)

Local Display : 2.0" color LCD
 Bank Measurement : Current (A), Energy (kWh), Voltage (V) & Power factor
 Outlet Control : Outlet Switch ON / OFF
 Accuracy : ±1% Billing-grade
 SNMP : V2 / V3 version, via built-in IP dongle
 Operating Temperature : -5 to 60 °C
 Storage Temperature : -25 to 65 °C
 Operating Altitude : 0 to 2,000 m
 Storage Altitude : 0 to 15,000 m
 Humidity : 8 to 95% RH, non-condensing

EMC Compliance : FCC Part 15 Subpart B
 Safety Compliance : TUV/us to UL 60950-1:2007/R:2014-10
 CAN/CSA-C22.2 No. 60950-1:2007/A2:2014-10
 UL 62368-1:2014
 CAN/CSA-C22.2 No. 62368-1:2014
 UL 60730-1 Ed.5 (2016)
 Environment Compliance : RoHS2 & REACH
 Dimension : 17.2 (W) x 17.7 (D) x 3.5 (H) inch
 Material : Steel
 Color : Black