

## PROLINE DOOR ACCESSORIES

### MECHANICAL INTERLOCK



#### MECHANICAL INTERLOCK

The ProLine Mechanical Interlock can be actuated by any ProLine solid or disconnect door in a multiple-bay enclosure system. Up to ten doors, including window doors, can be interlocked.

The interlock device engages the ProLine door at the center to provide maximum security. The master door can be positioned in any location. Only after the master door is opened can slave doors be opened. The interlock system is modular and easy to assemble; no drilling or layout work is required to install. Brackets, rods and fasteners are heavy gauge steel. Meets interlocking requirements established by General Motors, Ford and Chrysler.

#### FRONT-TO-BACK INTERLOCK

The Front-to-Back Interlock is used to interlock the rear doors of an enclosure in conjunction with a Master Door Actuator Kit and a Slave Door Kit. When the Master Door Actuator Kit on the front of the enclosure is activated (by a solid or disconnect master door) and the Front-to-Back Kit linkage is in place, the pivot bracket is pulled, which activates the Slave Door Kit to interlock the back doors of the enclosure with the front doors.

Item number	Description
PMLMAK	Master Door Activator Kit
PMLSK	Door Slave Kit
PMLEK	Extension Kit
PMLFB	Front-to-Back Kit

For item number PMLMAK, order 1 for master door.

For item number PMLSK, order 1 for each slave door (will accommodate single door, window door and overlapping door).

### ELECTRICAL INTERLOCK



#### INDUSTRY STANDARDS

UL Components Recognized  
CSA Certified

#### APPLICATIONS:

Provide positive internal safety. When energized, these interlocks prevent the door handle from being turned to open the door.

#### SPECIFICATIONS:

Rugged steel construction and plated finish. Solenoids are rated for continuous duty and will stand up under heavy industrial use.

Packaged complete with a solenoid assembly, mounting bracket and instructions for field installation.

Fit either clockwise or counterclockwise handles

Door handles and latching mechanisms are not included.

#### INSTALLATION

Interlock mounts on bracket attached to door bar on inside of enclosure door.

### STANDARD PRODUCT

Item number	Amps @ 220 V/50 Hz Normal/ Inrush	Amps @ 440 V/50 Hz Normal/ Inrush
PEK230NDH	.060/35	
PEK460NDH		.30/18

# ProLine Door Accessories

## FLUSH SWING HANDLES



Flush Handles are optional for any solid, window or disconnect door that includes 3-point latching. They are ergonomically designed to provide style and function in a low profile. The handle is die-cast zinc finished with RAL 9005 textured black polyester powder paint. Provision to add your logo is included. Handle can be installed to rotate either clockwise or counterclockwise.

### HANDLE WITH KEYLOCK

Keylock feature locks the handle to provide security for the enclosure. When the key is in the unlocked position, the pushbutton releases the handle to provide access to the enclosure. Two keys are furnished.

### HANDLE FOR PADLOCK

Padlocking Handle provides security when using up to a 7,94 mm padlock. Pushbutton releases the handle to provide access to the enclosure.

### HANDLE WITH DIN PROFILE PROVISION

DIN Flush Handle is provided with the option to add your DIN profile lock or to accept nVent HOFFMAN DIN profile lock PDKL (order separately).

Item number	Description
PFHKBL	Keylocking Flush Handle
PFHPBL	Padlocking Flush Handle
PFHDBL	DIN Profile Flush Handle

## FLUSH BEZEL



Can be used on any solid, window or disconnect door when a low-profile, tool-to-open operating mechanism is needed. Bezel is RAL 9005 textured black plastic. Provision to add your logo is included. Flush bezels are provided with 3 mm double bit insert. Other key inserts are available to fit the flush bezel (order separately).

Item number	Description
PFBS	Flush Bezel with 3-mm double-bit insert

## DIN LOCK INSERTS



The DIN profile keylock provides keylocking security for the Flush Swing Handle with DIN provision. Includes profile lock semi cylinder (30/10 mm) and two keys. Order one profile lock for each handle.

Item number	Description
PDKL	DIN keylock, 2 keys included, key code 333

## KEY INSERTS



Key Inserts are used with Flush Bezel. Optional for any solid, window and disconnect door. Key Inserts are zinc die-cast.

A matching key is included.

Item number	Description
PKOTM7	7 mm triangle
PKOTM8	8 mm triangle
PKOTM65	CNOMO
PKOSM7	7 mm square
PKOSM8	8 mm square
PKOGBK3	Double-bit with 3 mm pin

# ProLine Door Accessories

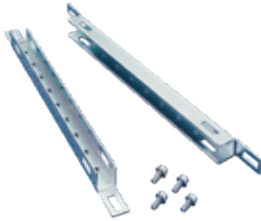
## PADLOCK KIT



The kit adds a padlocking capability to the Flush Swing Handles. Field modification of the flush handle is required. Includes a stainless steel locking post that will accommodate up to 7,94 mm. padlock shackle.

Item number	Description
PFHPK	Padlock Kit

## DOOR BAR GRID STRAP



Straps mount to the door bar. Used to mount accessories to the door. Constructed of 1,5 mm steel with plated finish. Holds up to 50kg. Package includes set of two door bar grid straps.

Item number	Description
PGH1S6D	Fits 600 mm wide door
PGH1S8D	Fits 800 mm wide door
PGH1S10D	Fits 1000 mm wide door

## 180-DEGREE HINGE KIT



Optional hinging for solid, window or disconnect doors. The 180-degree hinges provide a door opening up to 260-degrees on single-bay enclosures. These hinges mount to the door flange and have a low-profile appearance. The kit includes three hinges with textured black polyester powder paint and all necessary mounting hardware.

Item number	Description
PH180	180-Degree Hinge Kit

## DOOR STOP KIT



The Door Stop Kit holds doors open at 130 degrees. The kit includes a slotted bracket that mounts to either the top or bottom of the door and a stop arm that attaches to the frame. The Door Stop Kit is plated, mounts without drilling and includes all necessary mounting hardware. Not suitable for use with 180-degree hinging. Drill points in window door brackets for mounting Door Stop Kit.

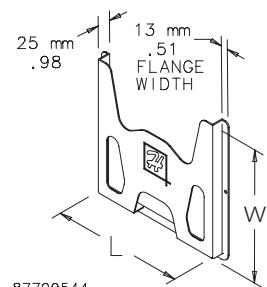
Item number	Description
PDSK	Door Stop Kit

## THERMOPLASTIC DATA POCKET



Provides a convenient place to store wiring diagrams, operation manuals and other documentation inside the enclosure. Adhesive-backed pockets mount inside the solid enclosure cover. Mounting hardware included. Thermoplastic pockets are dark gray and have cut-away areas for easy inspection of contents.

Item number	Description	Size L x w [mm]
ADP1	Small pocket	152 x 152
ADP2	Large pocket	305 x 305

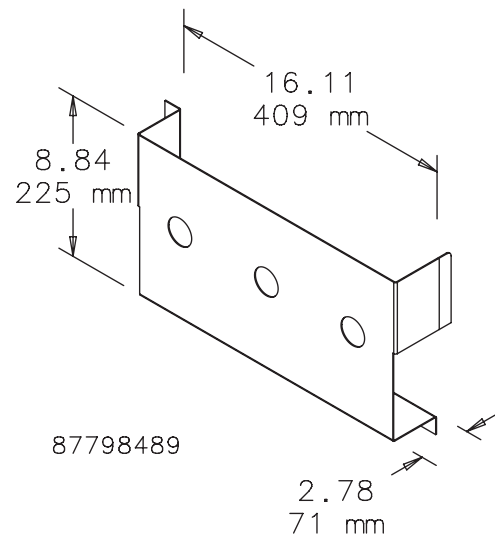


# ProLine Door Accessories

## STEEL DATA POCKET

Steel Data Pocket fastens to the bottom of the door. Finish is RAL 7035 textured, light-gray polyester powder paint. Door Bar Grid Straps (purchased separately) must be used to change the vertical mounting position of the Data Pocket.

Item number	Description
PDP1	Single size fits all door widths



Our powerful portfolio of brands:

**CADDY ERICO HOFFMAN RAYCHEM SCHROFF TRACER**