

ProLine

PROLINE-PC, TYPE 12



INDUSTRY STANDARDS

UL 508A Listed; Type 12; File Number E61997
 cUL Listed per CSA C22.2 No 94; Type 12; File Number E61997

NEMA/EEMAC Type 12
 CSA File Number 42186: Type 12
 VDE IP55
 IEC 60529, IP55



APPLICATION

ProLine-PC Modular Enclosures offer effective protection for computer monitors, keyboards, CPUs, printers and other peripheral equipment in industrial environments.

STANDARD PRODUCT MILD STEEL

Item number	Size H x W x D [mm]	M [mm]	N [mm]	P [mm]	R [mm]	Top Door Opening, Height [mm]	Top Door Opening, Width [mm]	Bottom Door Opening, Height [mm]	Bottom Door Opening, Weight [mm]
PPC1666	1688 x 608 x 599	343	366	586	1363	558	536	739	536
PPC1668	1688 x 608 x 799	343	366	586	1363	558	536	739	536
PPC1866	1888 x 608 x 599	343	366	786	1463	758	536	739	536
PPC1868	1888 x 608 x 799	343	366	786	1563	958	536	739	536

SCOPE OF DELIVERY

- Frame
- Solid sides
- Solid top
- 100 mm solid base
- 3 doors
- Keyboard compartment

FEATURES

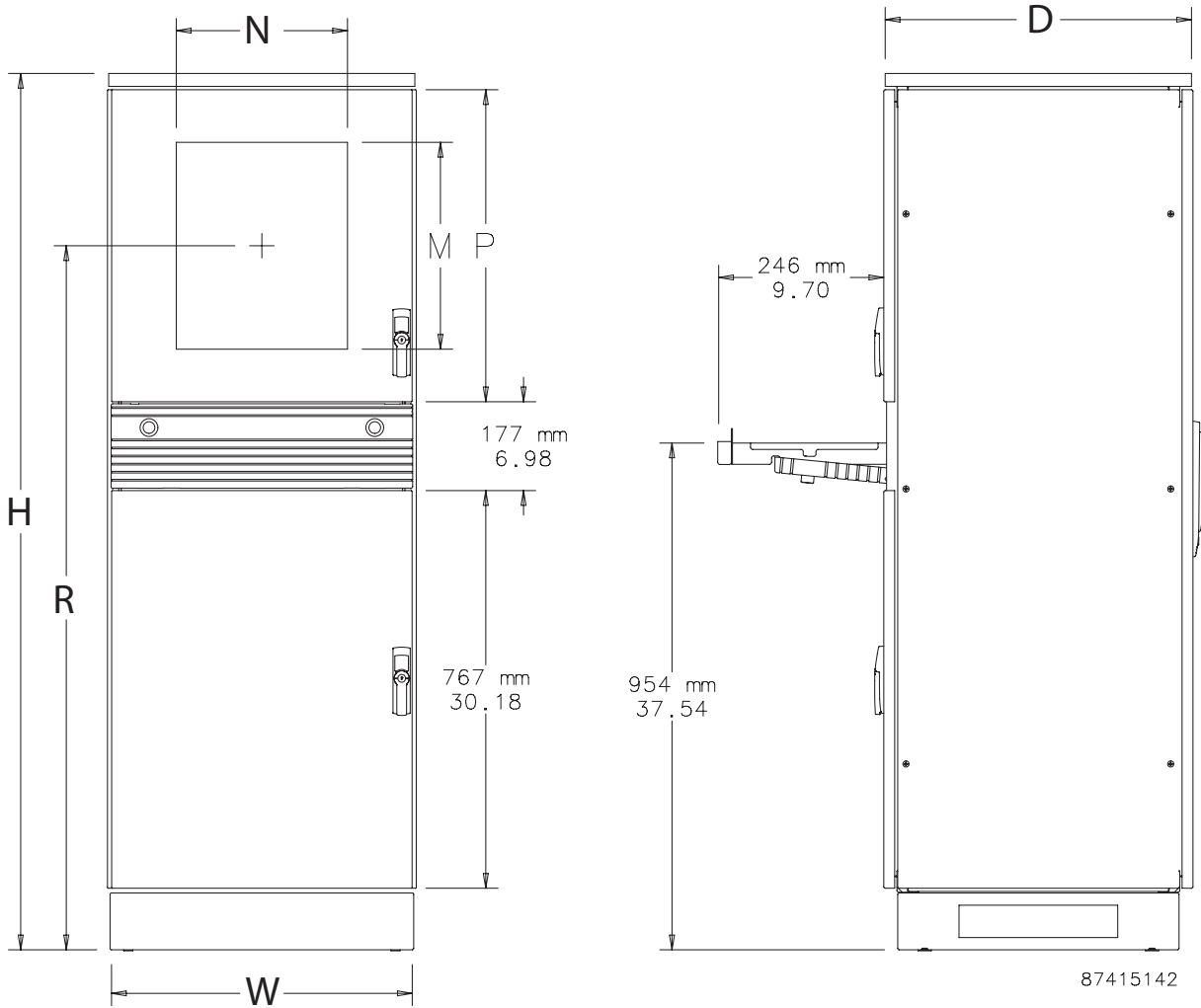
- The frame is enclosed with solid sides, a solid top and a 100 mm solid base.
- Three doors, two in front and one in back, provide convenient access
- The sealed keyboard compartment maintains enclosure integrity when the compartment door is opened
- The ProLine keyboard compartment includes a locking feature, an angled palm rest, a cable access port for wiring and integral mouse pad holders for both left-handed and right-handed people
- The bottom compartment includes a solid door, hinged on the left, that has a small flush swing handle with keylocking. This compartment can be used to install computer equipment, panel-mounted equipment or rack mounted control systems.

SPECIFICATIONS

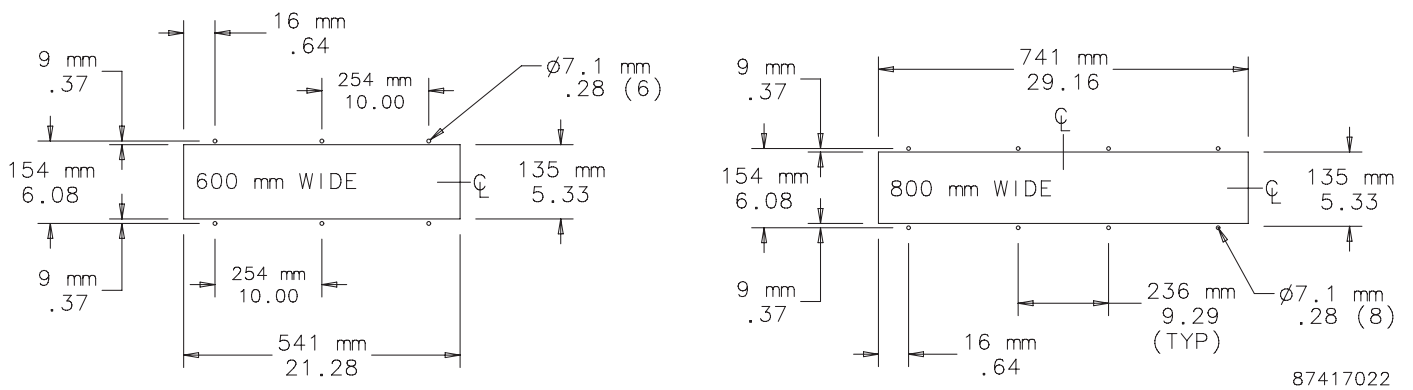
- The 483 mm diagonal top window door, hinged on the left, offers viewing access for a variety of monitor sizes and has a small flush swing handle with keylock for system security
- The vented frame shelf in the top compartment is constructed of 1,5 mm steel and is painted with RAL 7035 textured, light-gray polyester powder paint

ProLine-PC, Type 12

ProLine-PC-Modular Enclosure



Accessory Front Opening Mounting Cutout



Our powerful portfolio of brands:

CADDY ERICO HOFFMAN RAYCHEM SCHROFF TRACER

©2019 nVent. All nVent marks and logos are owned or licensed by nVent Services GmbH or its affiliates. All other trademarks are the property of their respective owners. nVent reserves the right to change specifications without notice.