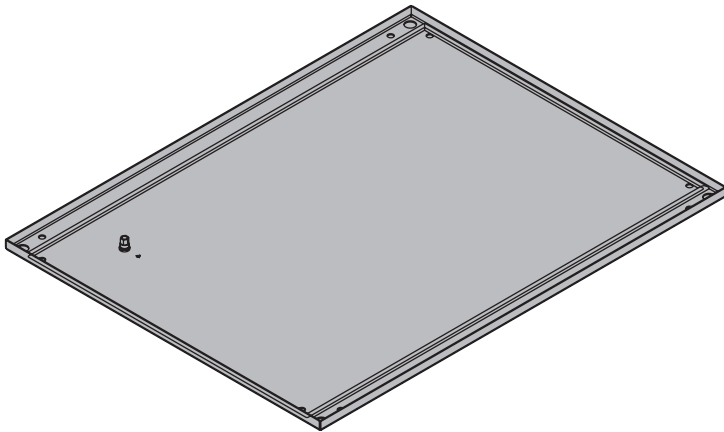


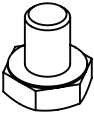

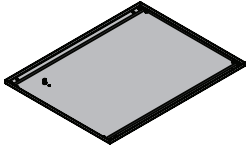


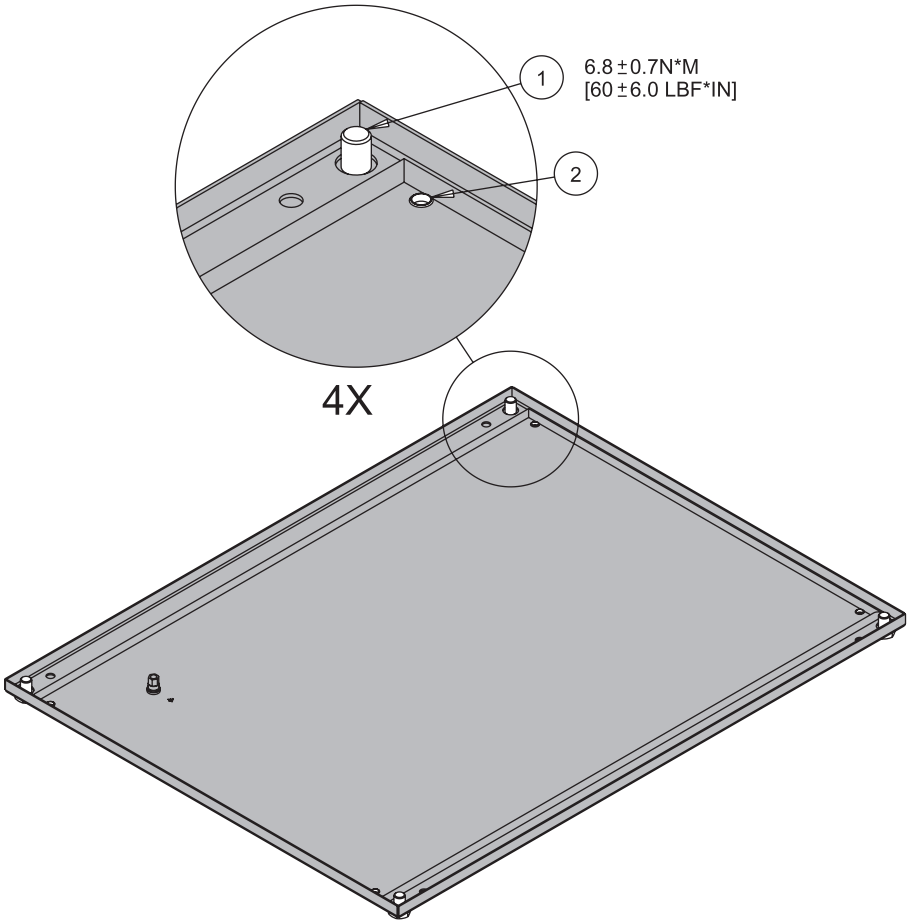
**HOFFMAN**

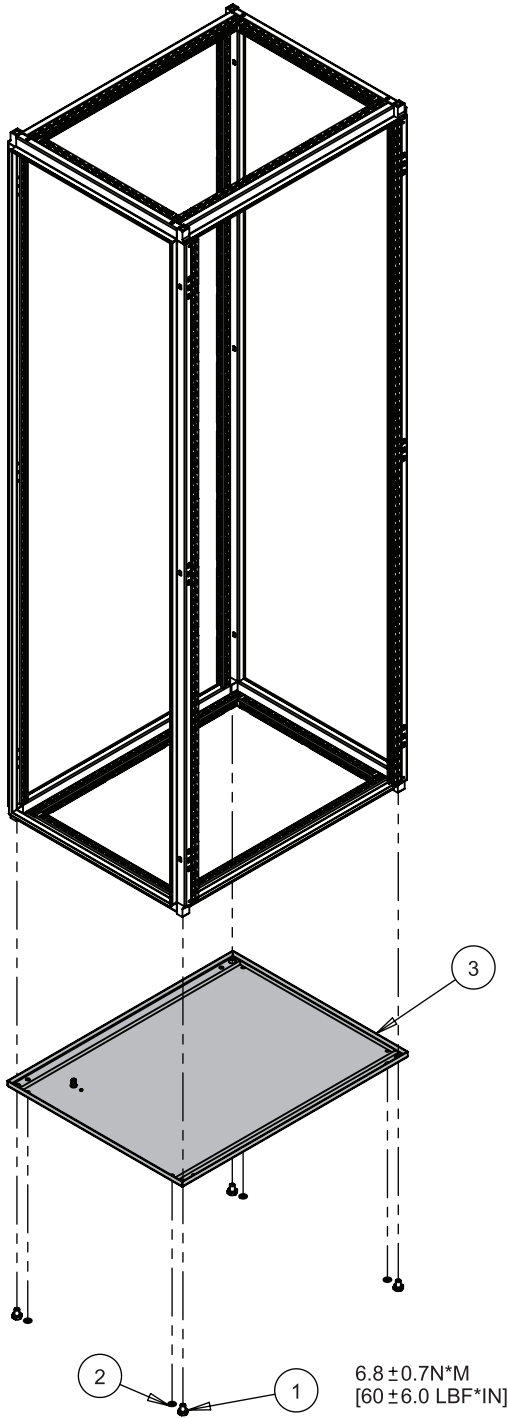
**PROLINE G2**

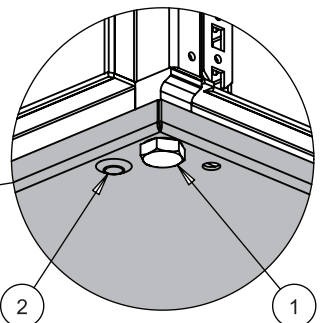
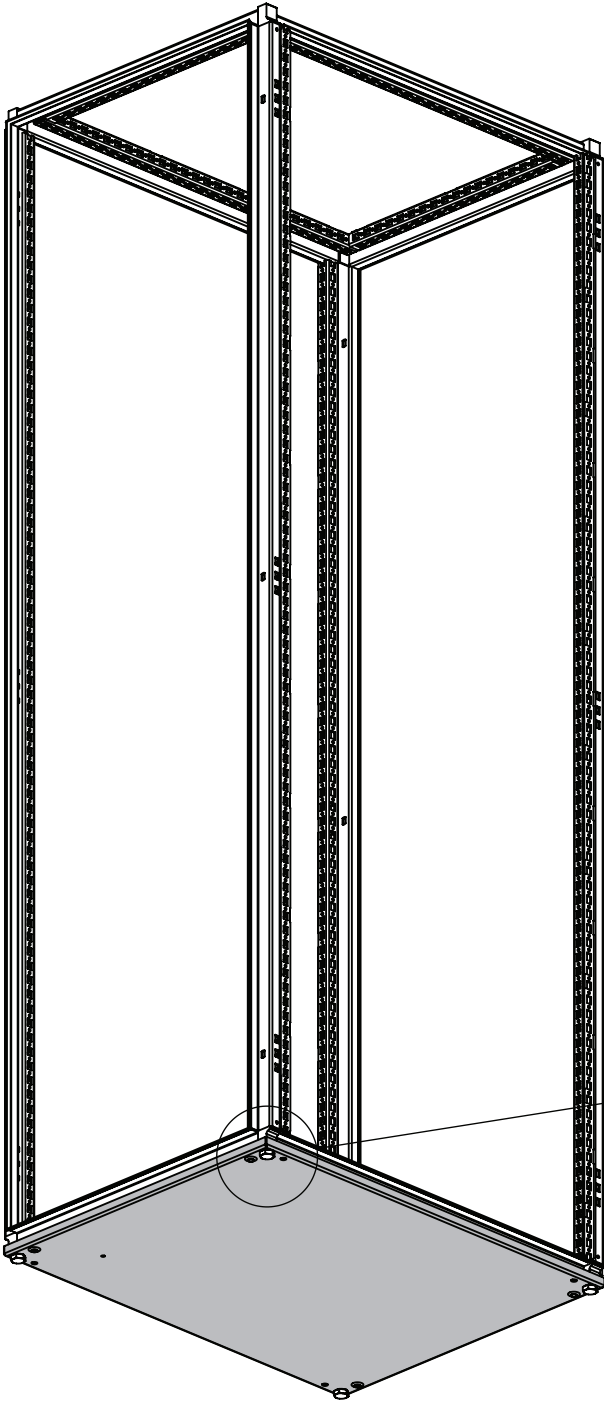


<1200 mm

<p>1</p> <p>M12-1.75X16</p>  <p>(4x)</p>	<p>2</p>  <p>(4x)</p>	<p>3</p>  <p>(1x)</p>
---	--	--







$6.8 \pm 0.7 \text{ N} \cdot \text{M}$   
 $[60 \pm 6.0 \text{ LBF} \cdot \text{IN}]$

4X