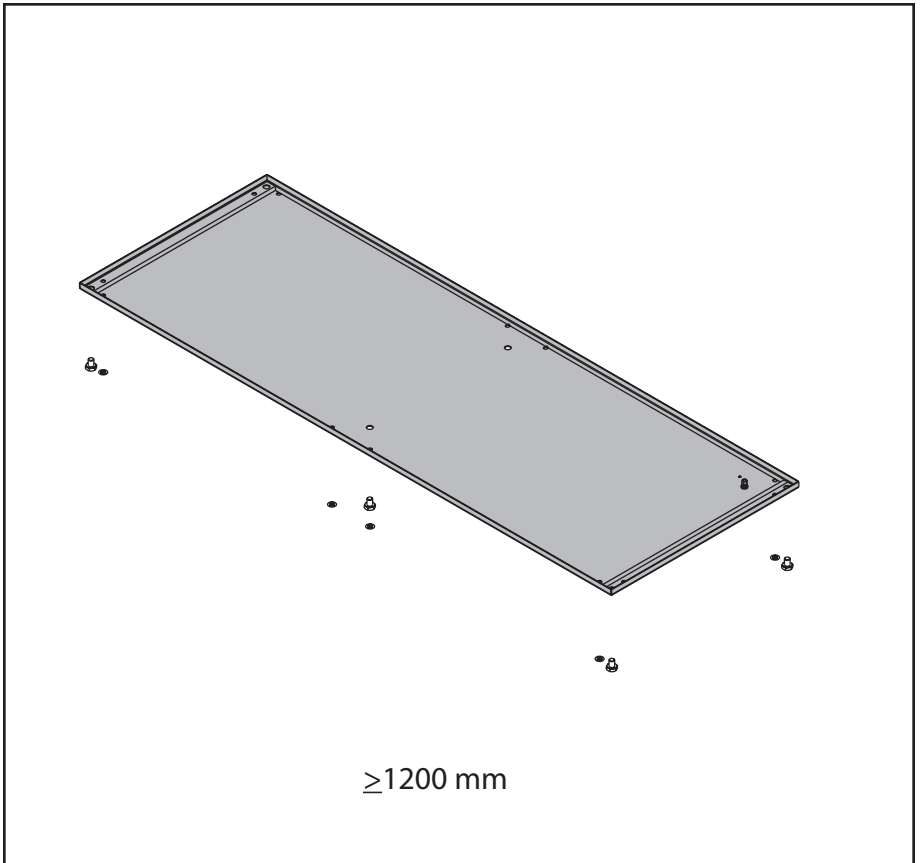
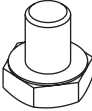

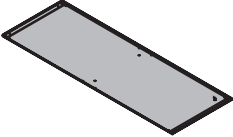


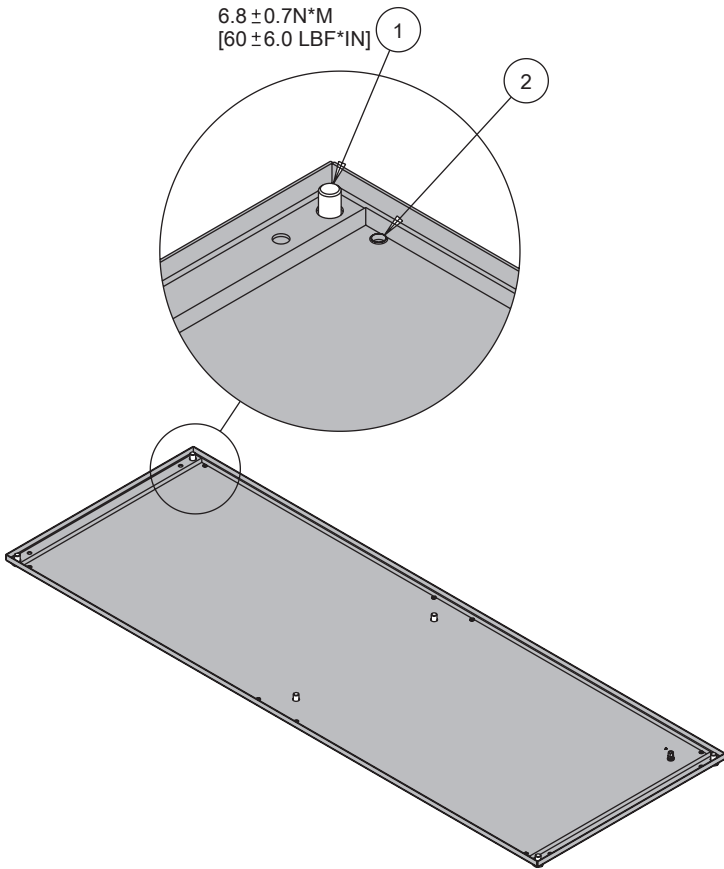


HOFFMAN

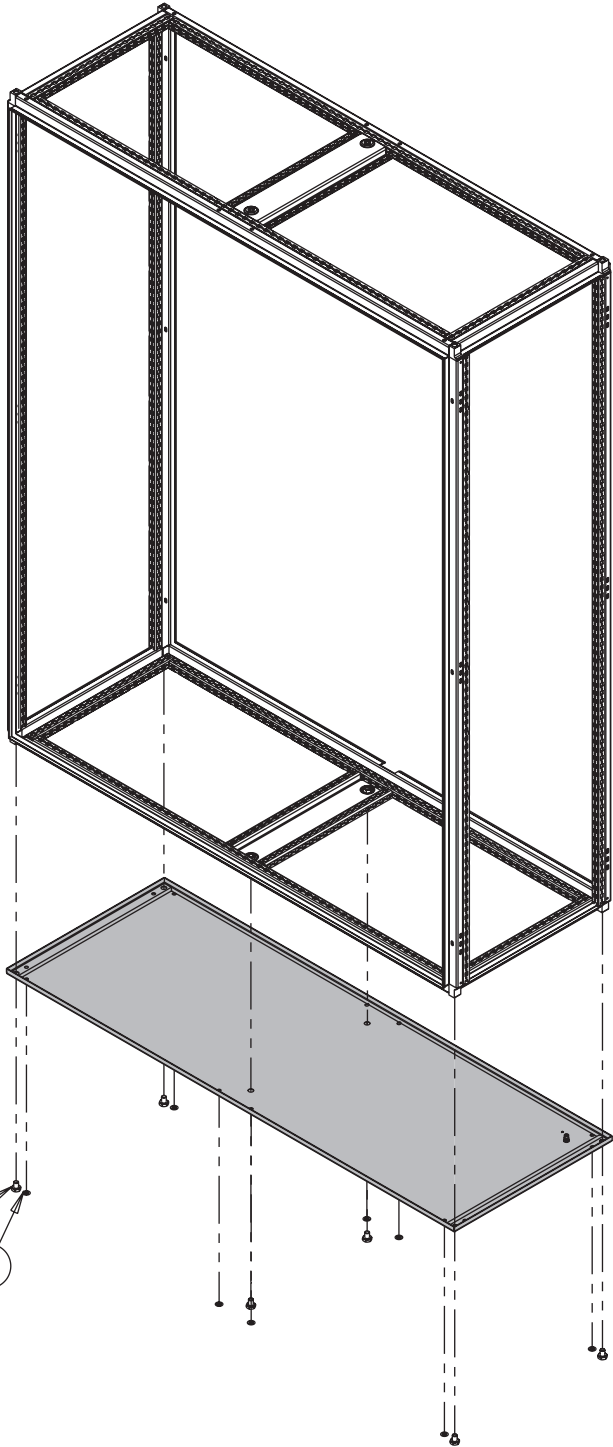
PROLINE G2

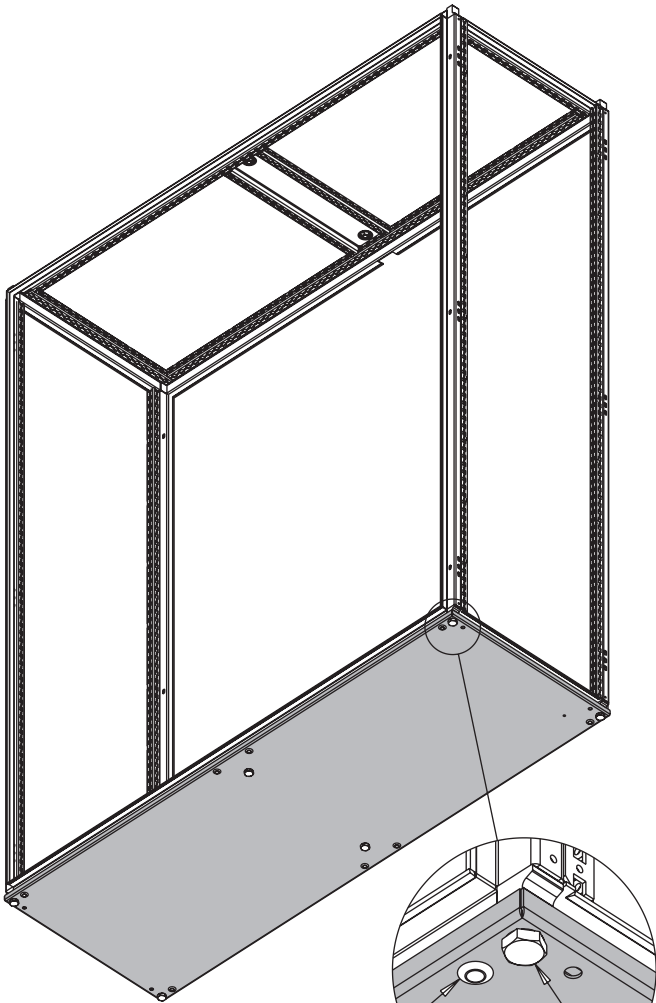


<p>1</p> <p>M12-1.75X16</p>  <p>(6x)</p>	<p>2</p>  <p>(8x)</p>	<p>3</p>  <p>(1x)</p>
---	--	--



6.8 ± 0.7 N*M
[60 ± 6.0 LBF*IN]





2

1

$6.8 \pm 0.7 \text{ N} \cdot \text{M}$
 $[60 \pm 6.0 \text{ LBF} \cdot \text{IN}]$