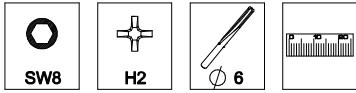
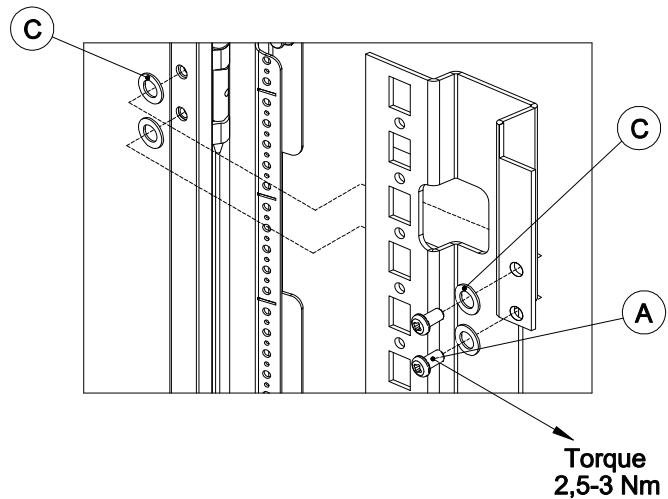
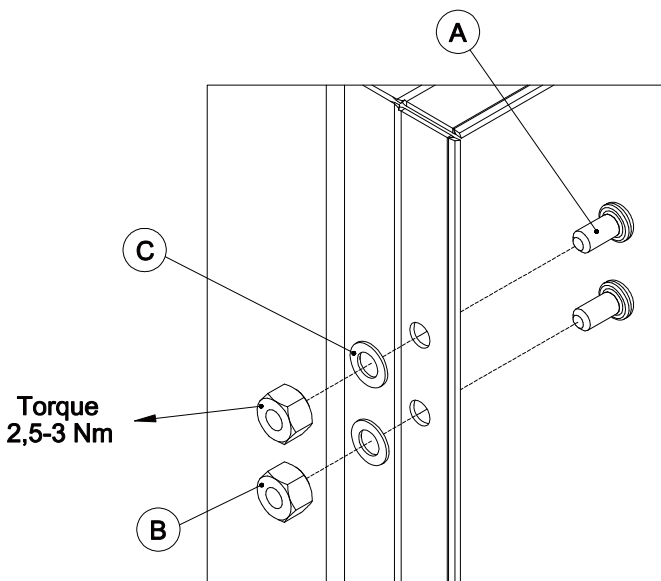
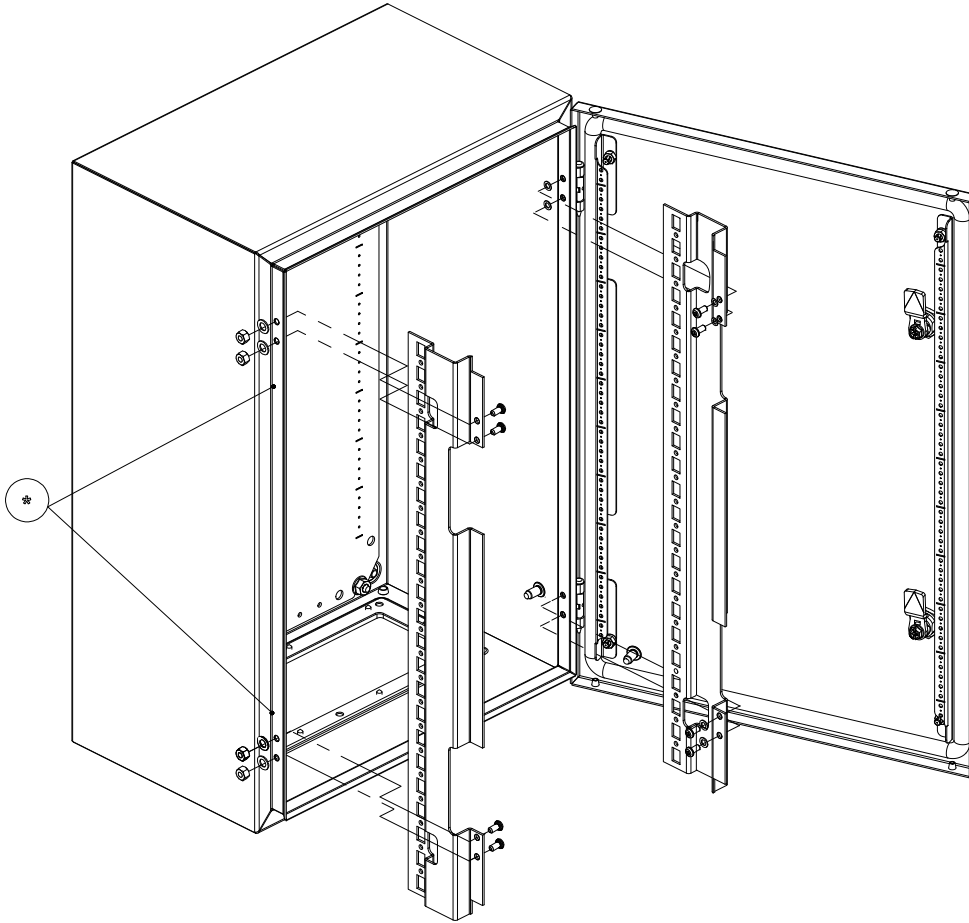


AVB



Ref.	Pic.	Qty.
A	M5x8	8
B	M5	4
C	M5 Nylon	12
a	M6	2
b	M6	4
c	M6x16	6
d	M6	4
e	L-shaped bracket	2



* - Machining is required for stainless steel enclosures only.
a,b,c,d,e - only needed in combination with SFBP accessory.