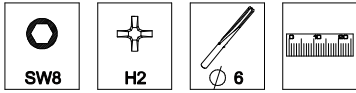
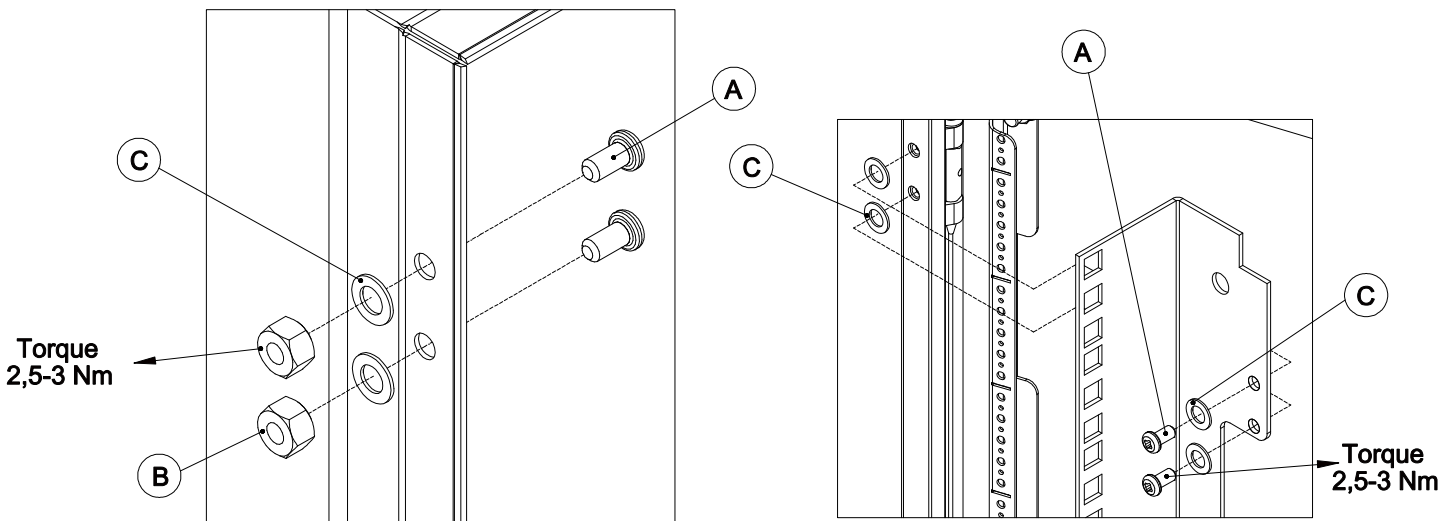
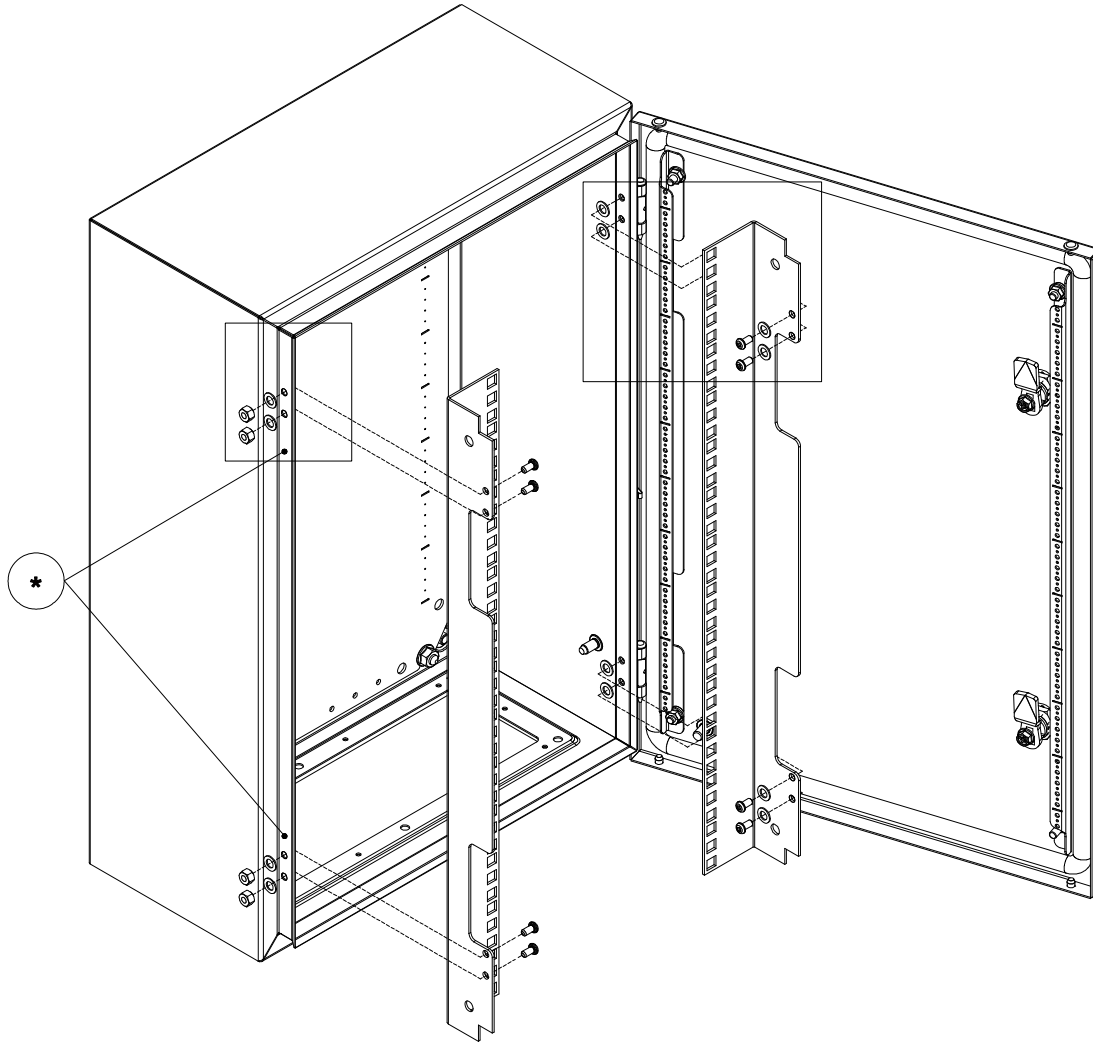


# AVP



Ref.	Pic.	Qty.
A	M5x8	8
B	M5	4
C	M5 Nylon	12



\* - Machining is required for stainless steel enclosures only.