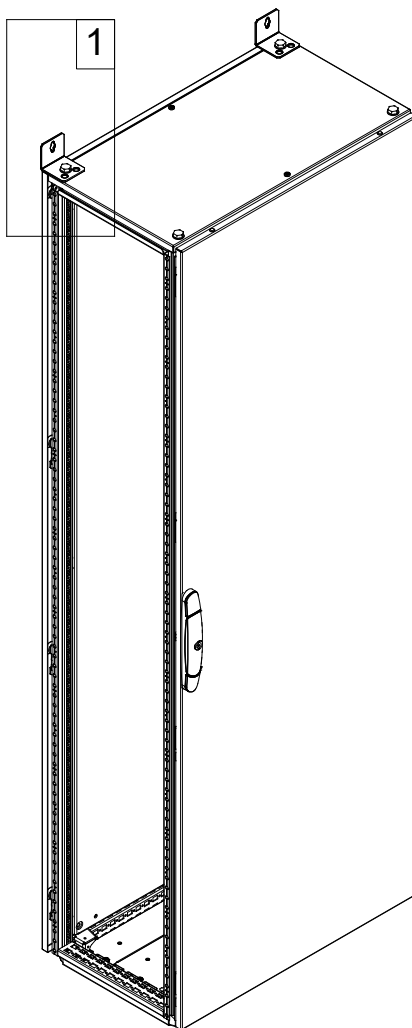


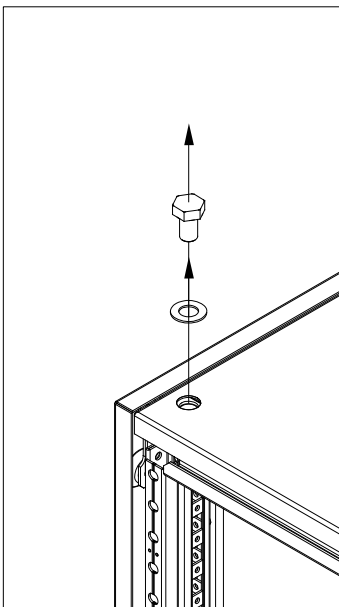


# CCB02

Ref.	Pic.	Qty.
A		2

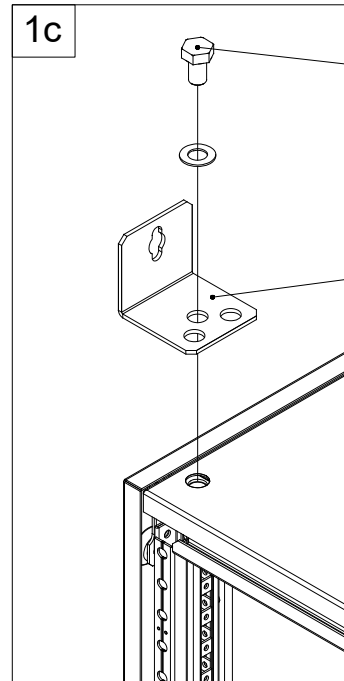
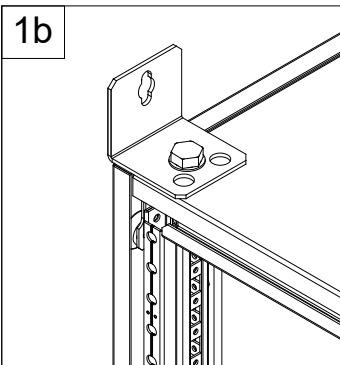
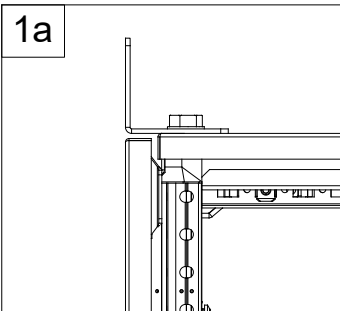


## Unmounting



Remove screw and washer

## Mounting



Torque 15-20 Nm

A