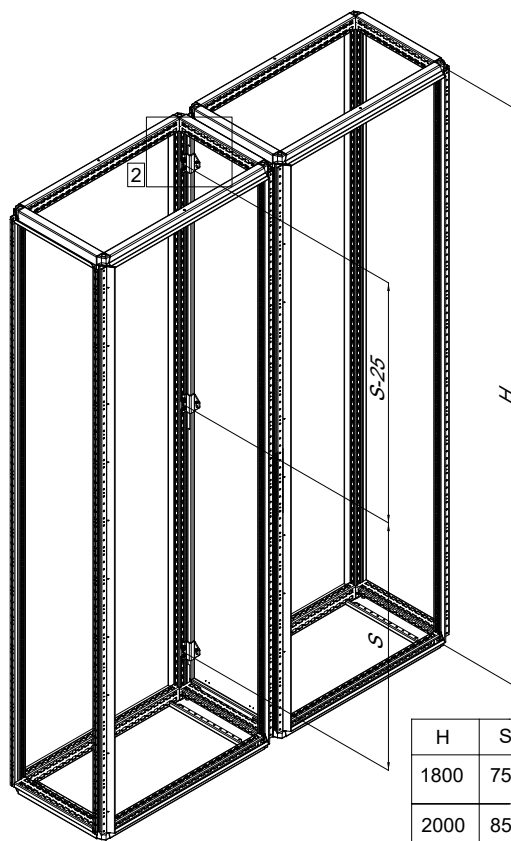
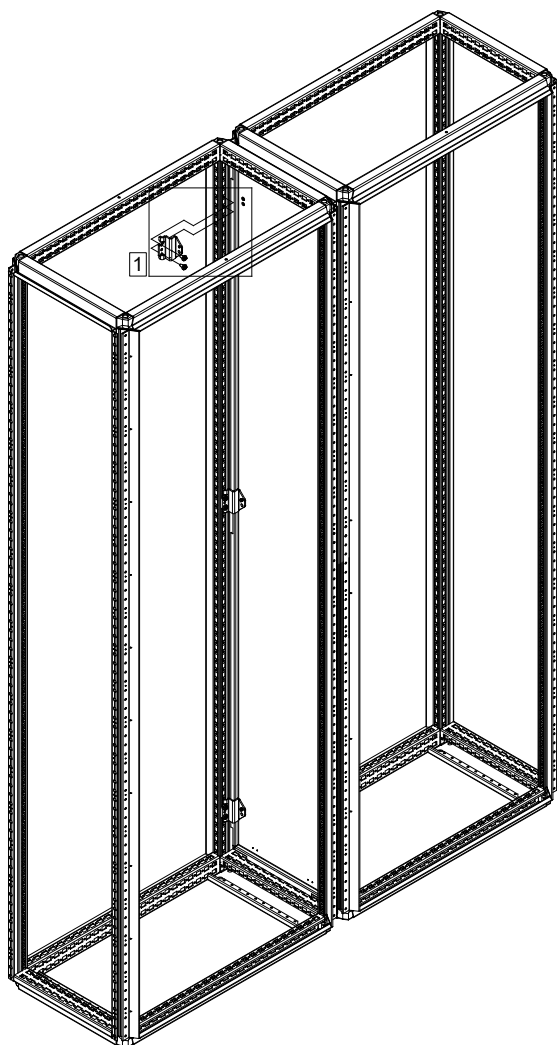


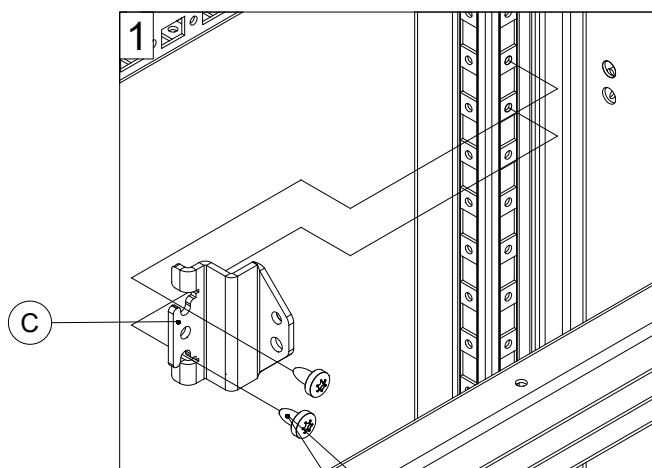
CCJ



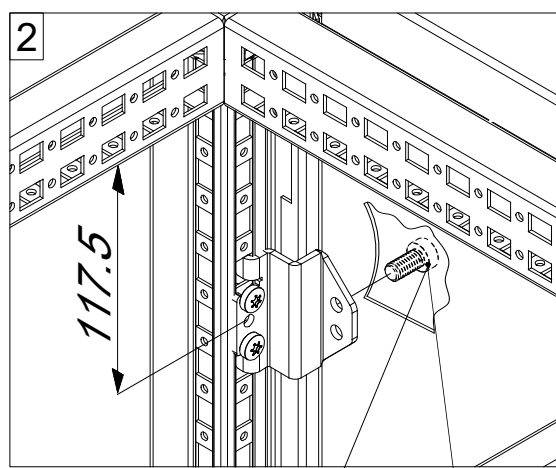
| Ref. | Pic. | Qty. |
|------|------|------|
| A | | 12 |
| B | | 6 |
| C | | 6 |



| H | S |
|------|-----|
| 1800 | 750 |
| 2000 | 850 |
| 2200 | 950 |



A Torque 4,5-5 Nm



B Torque 6-8 Nm