
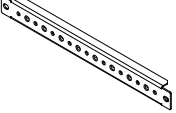
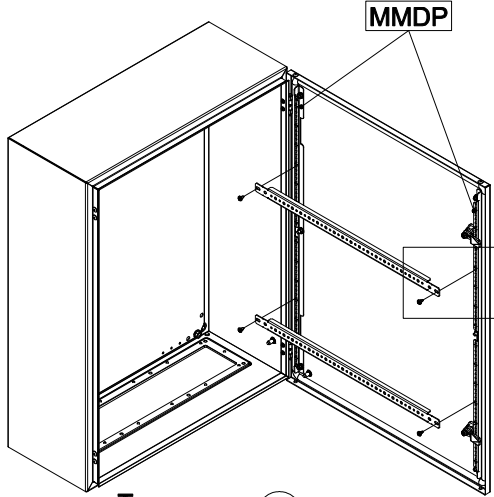




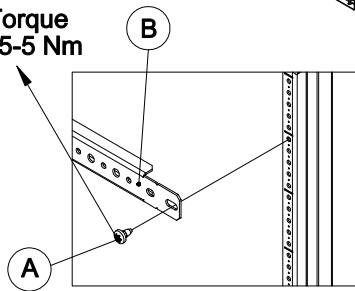
DHP

Ref.	Pic.	Qty.
A		10
B		5

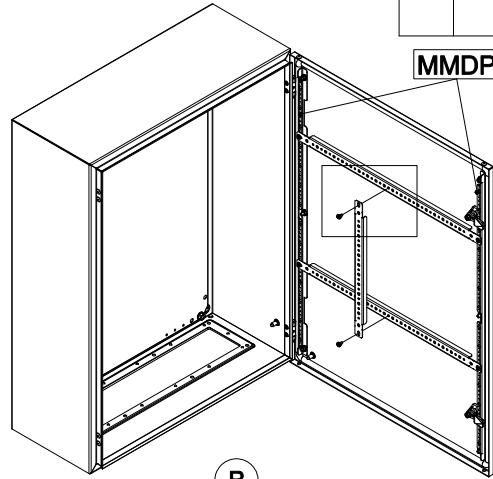
Horizontal mounting



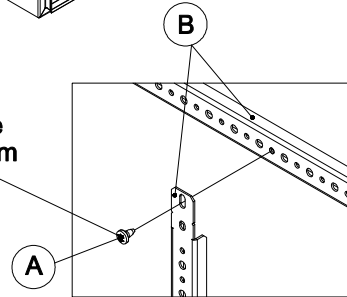
Torque
4,5-5 Nm



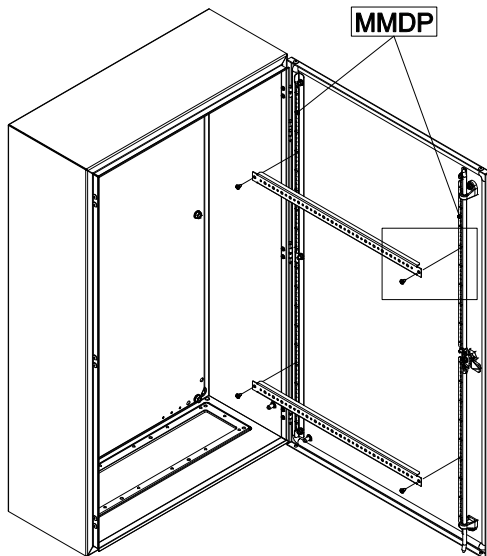
Vertical mounting



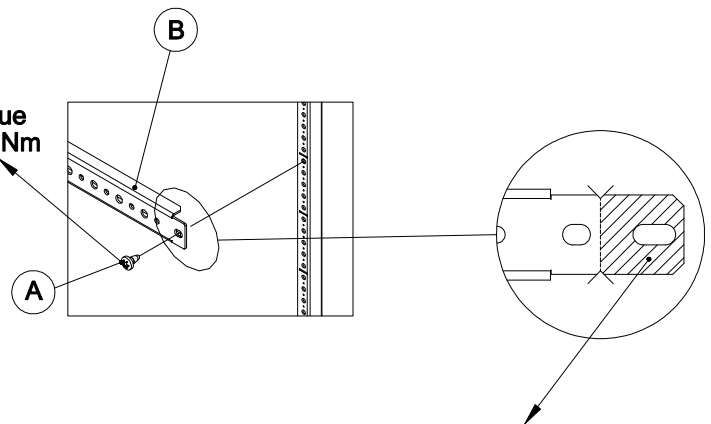
Torque
4,5-5 Nm



Assembly in enclosures with three point espagnolette locking system



Torque
4,5-5 Nm



Profile must be cut to size at both ends as indicated