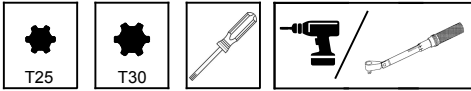
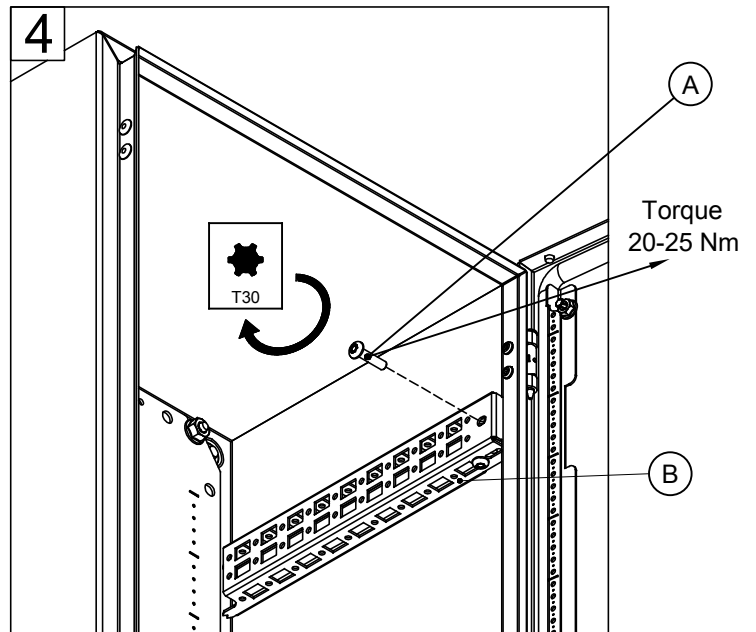
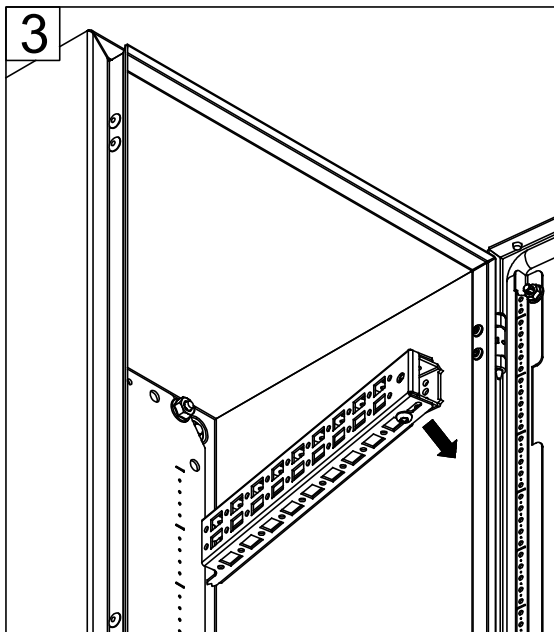
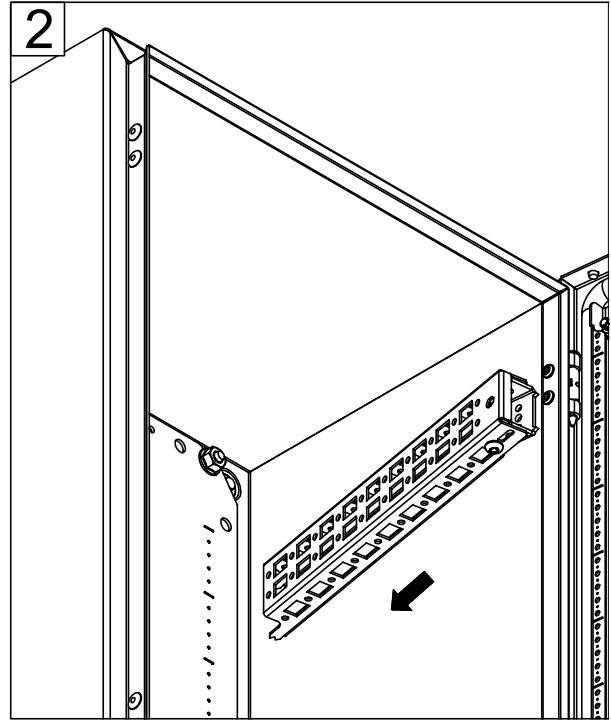
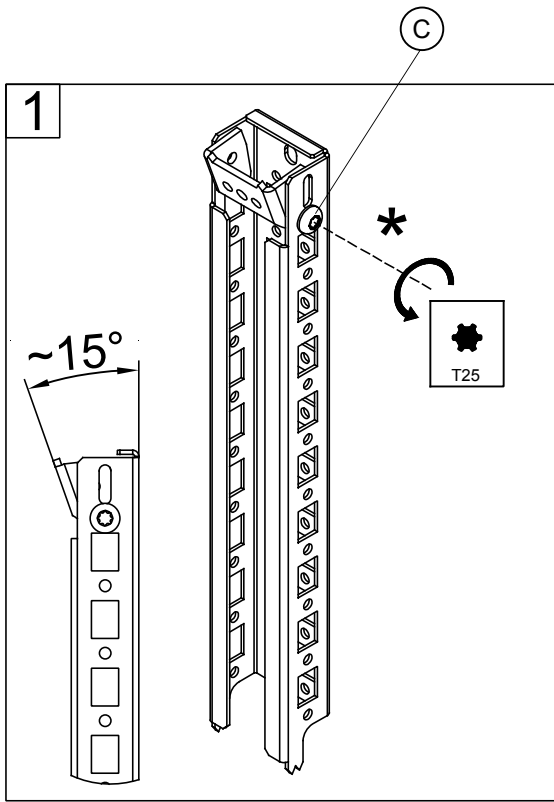


DIP / DIPH



| Ref. | Pic. | Qty. |
|------|------|------|
| A | | 4 |
| B | | 4 |
| C | | 8 |



*Quarter turn counter clockwise

