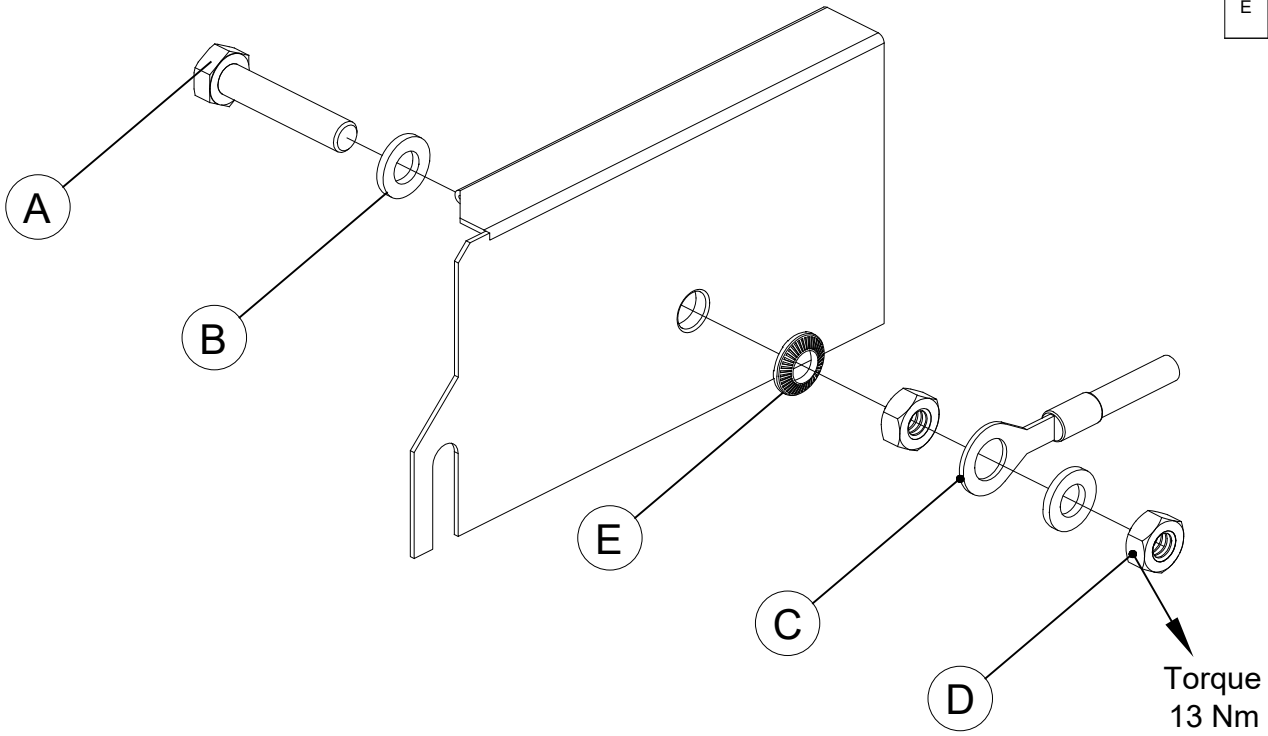




ECP

Ref.	Pic.	Qty.
A		1
B		2
C		1
D		6
E		3

Earthing connection for bottom plate



Earthing connection for mounting plate

