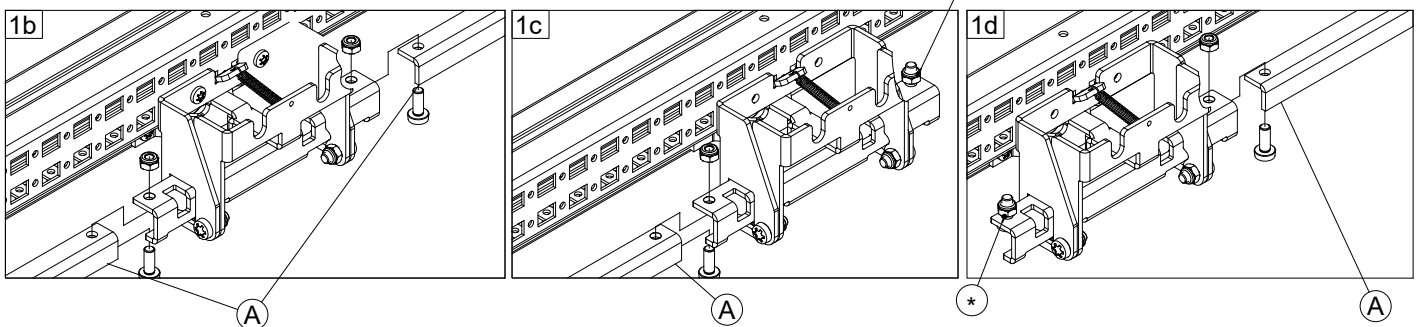
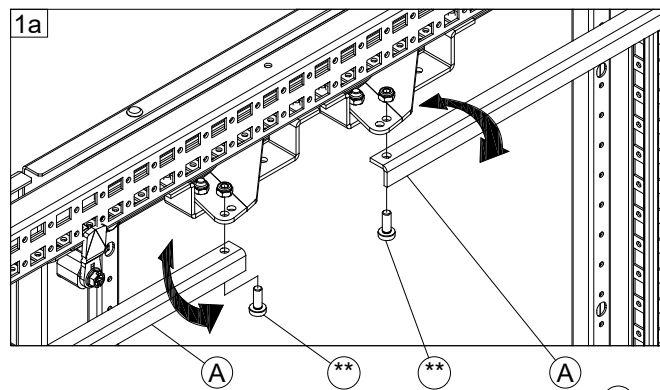
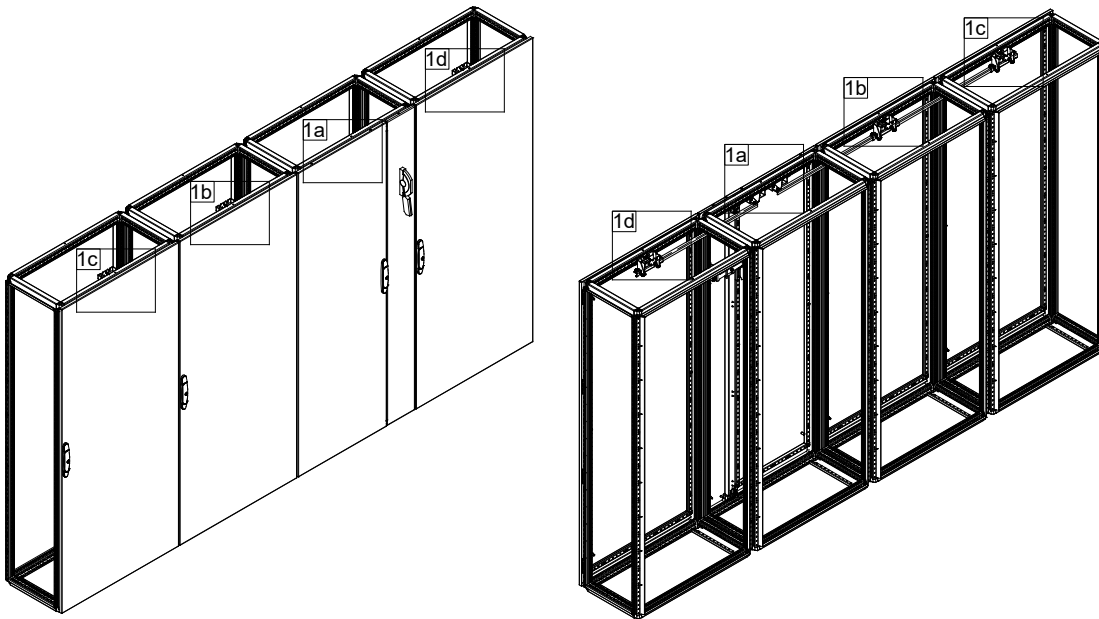




# FMB 01

Ref.	Pic.	Qty.
A		1



\* -Use bolts and nuts on end (Part of FMS kit)  
 \*\*-Part of FMA kit