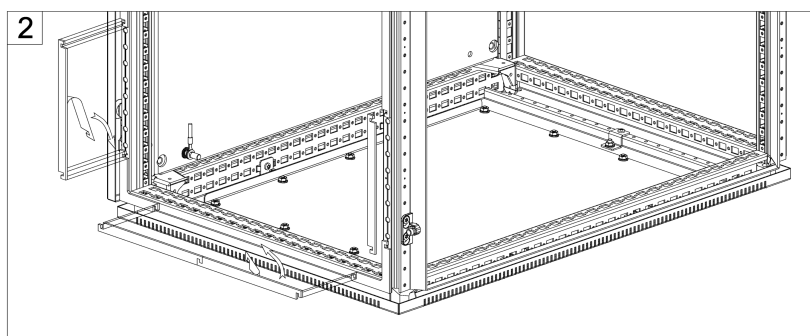
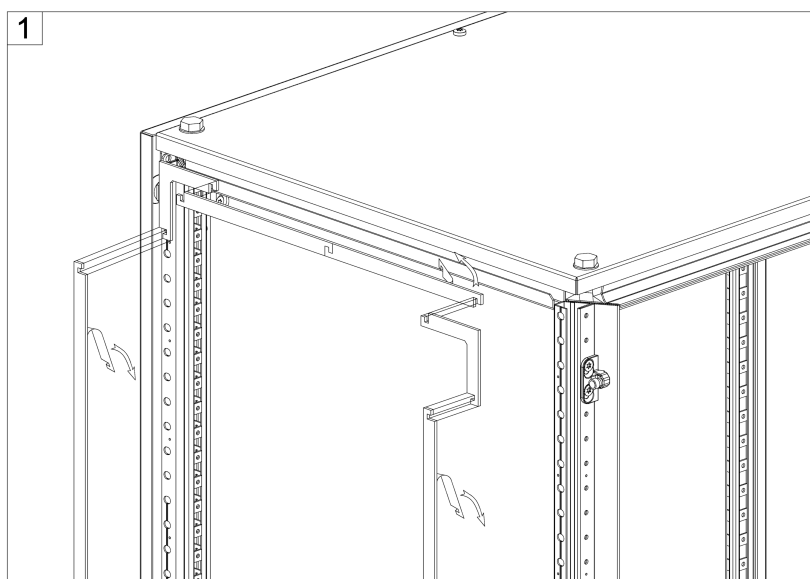
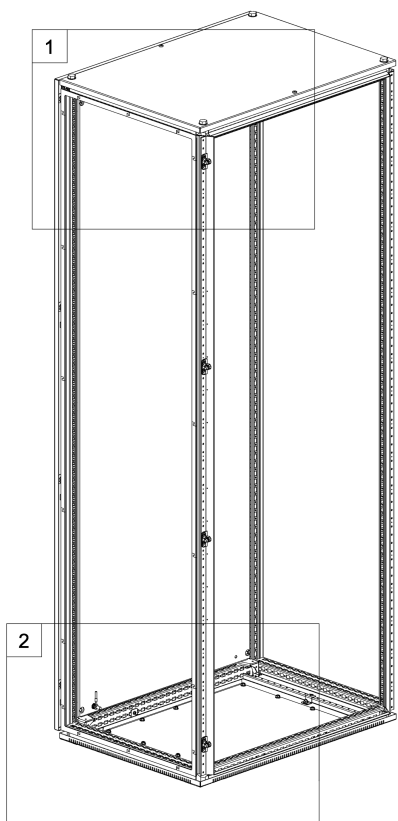


HPPG01 Puzzle Gasket



*To combine the enclosures side to side CCI06 and CCM04 are also required.

MCS20086HP MCSS20086HP MCS22088HP MCSS22088HP				
ENCLOSURE HEIGHT				
H=2000	4x	0x	2x	8x
H=2200	4x	4x	2x	8x
ENCLOSURE DEPTH				
D=600	-	0x	4x	0x
D=800	-	0x	6x	0x