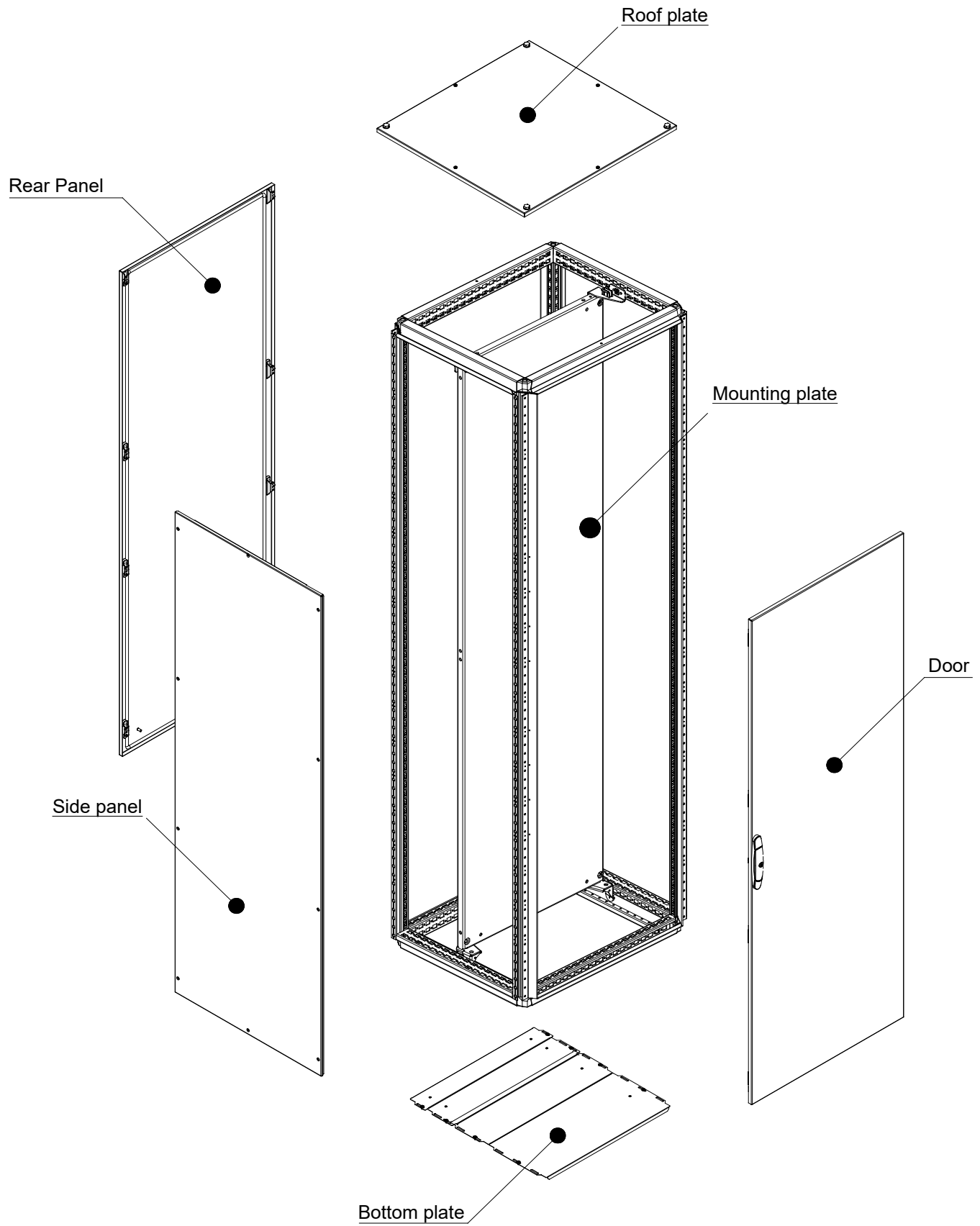


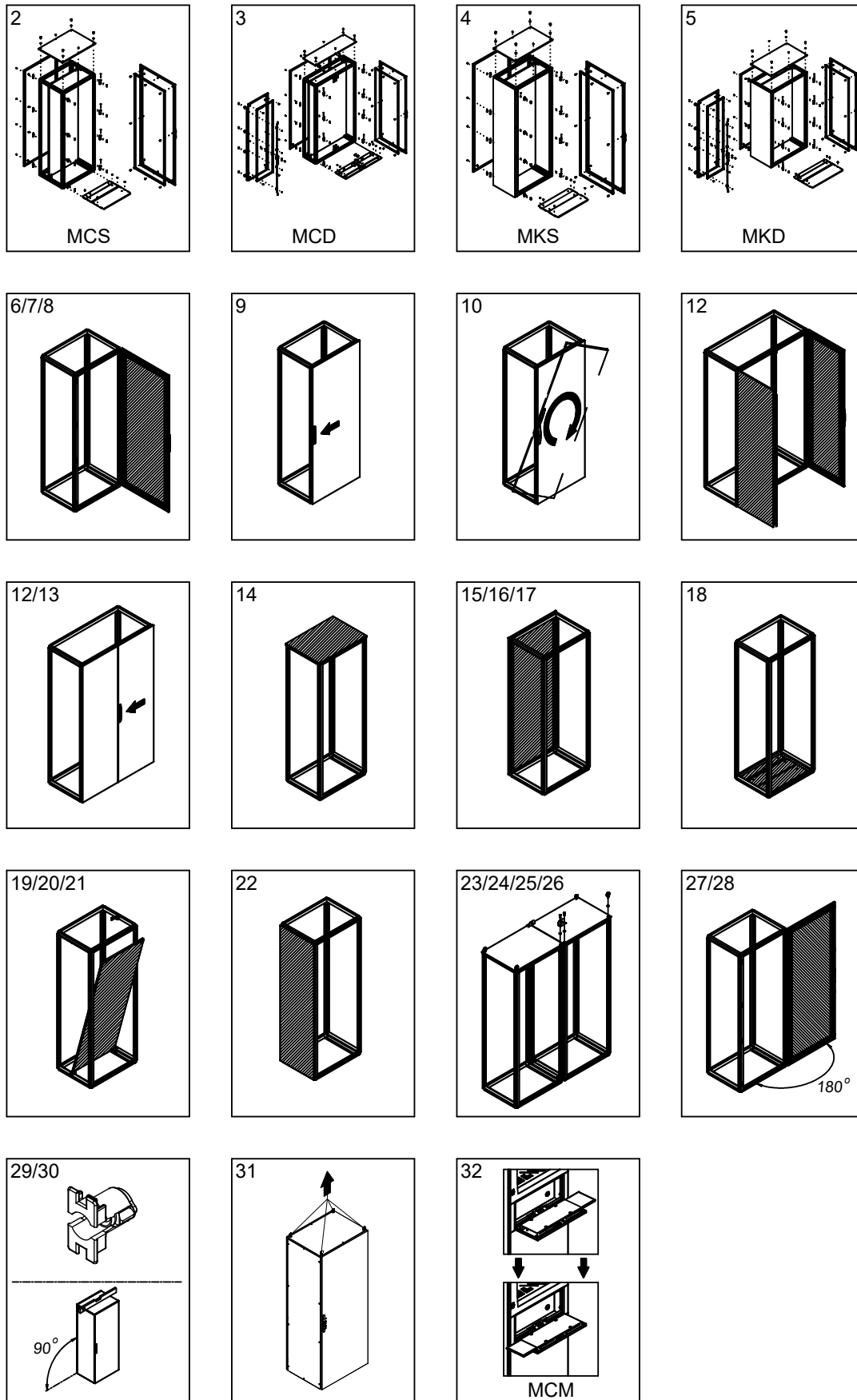
Floor standing enclosures Combinable and compact version

MOUNTING INSTRUCTIONS

7697-0262-01 REV.16



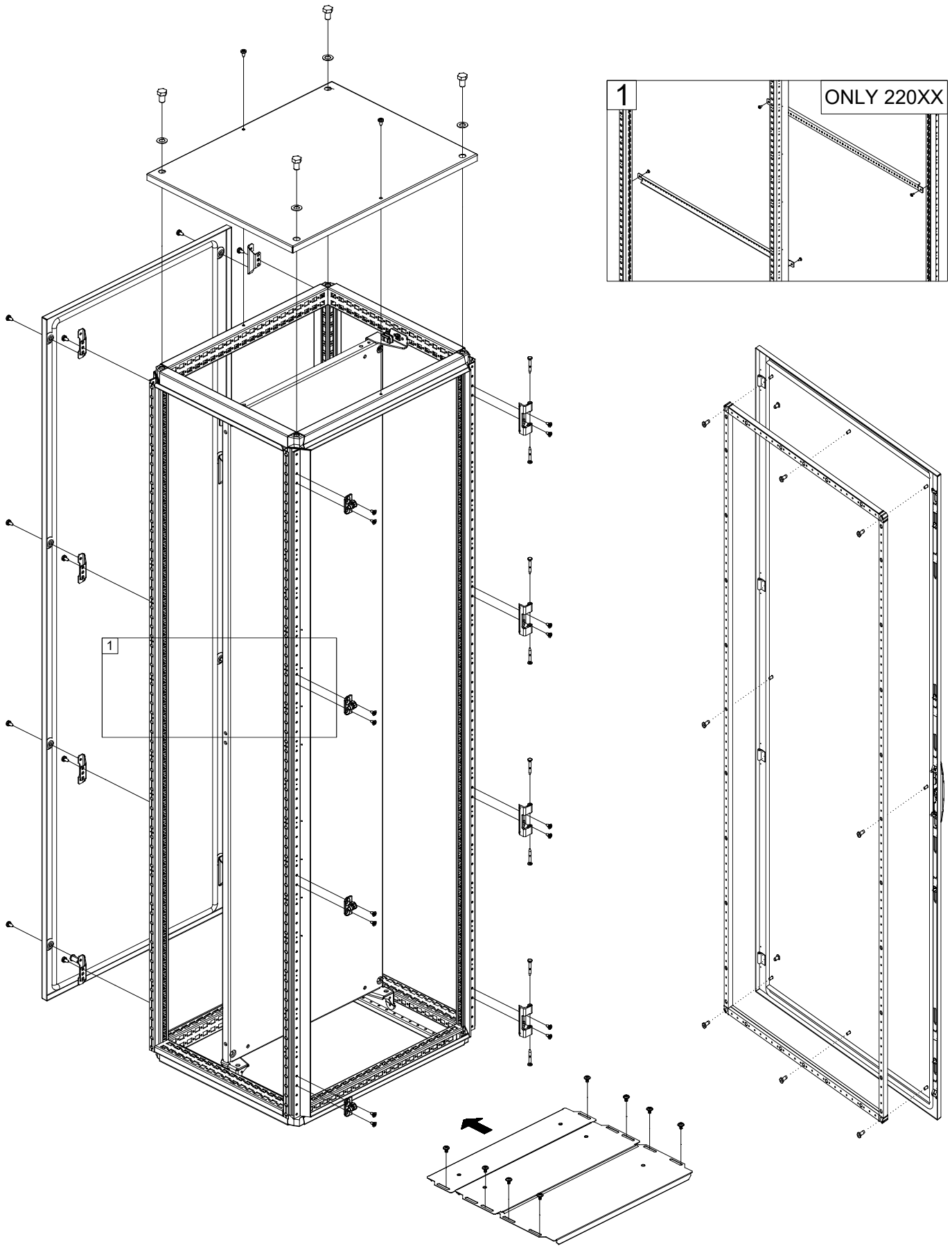




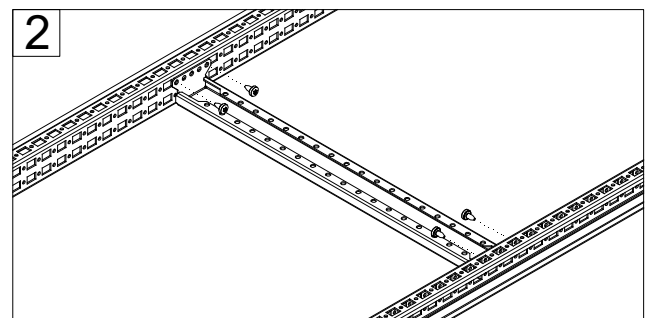
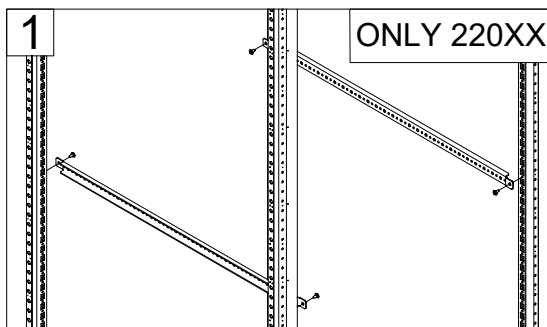
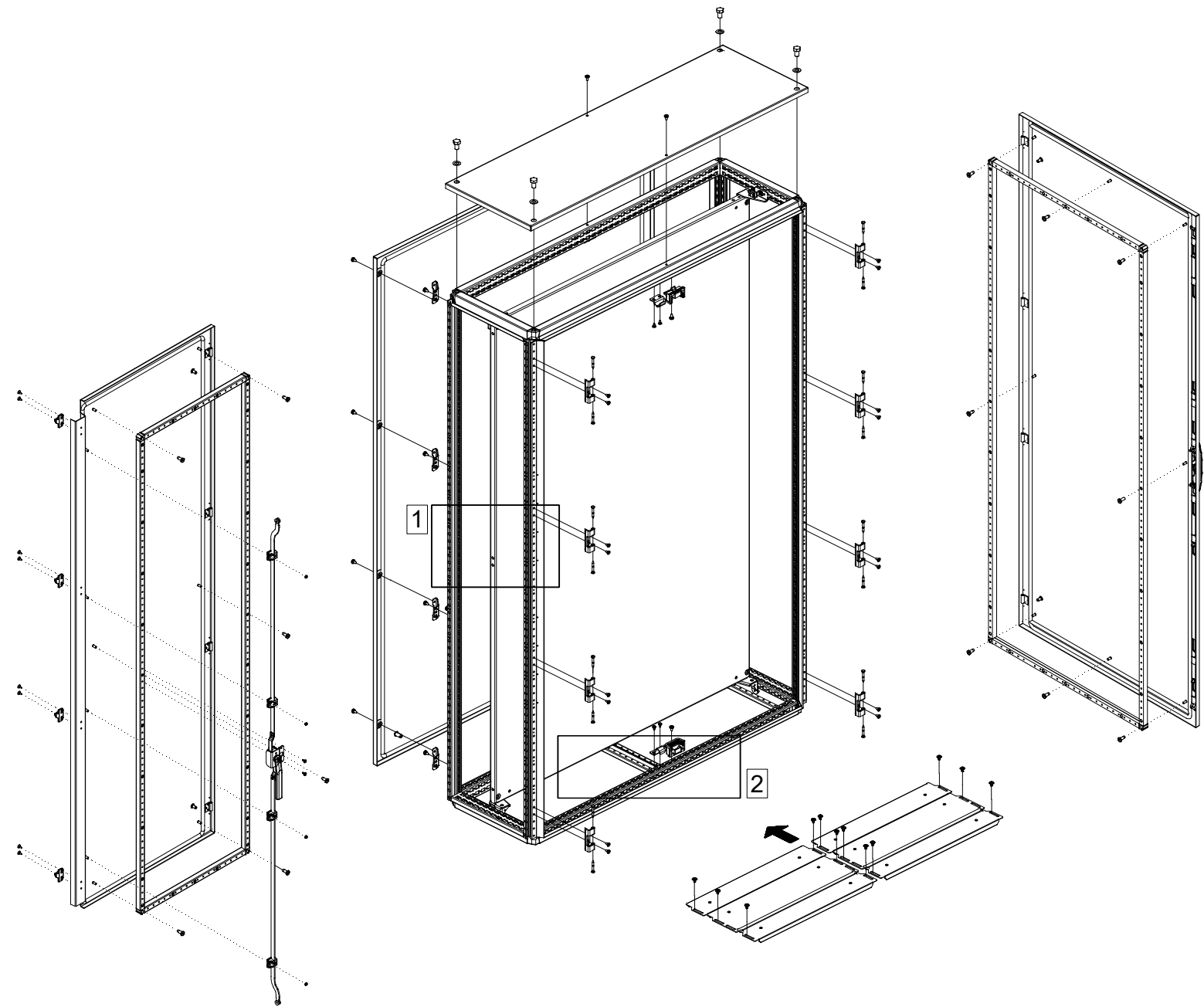
WARNING: When mounting on or over a combustible surface, a floor plate of at least 1.43 mm galvanized or 1.6 mm uncoated steel extended at least 150 mm beyond the equipment on all sides must be installed.

WARNING: In order to maintain the environmental integrity of the enclosure, devices with the same environmental ratings shall be used to close openings in customized enclosure.

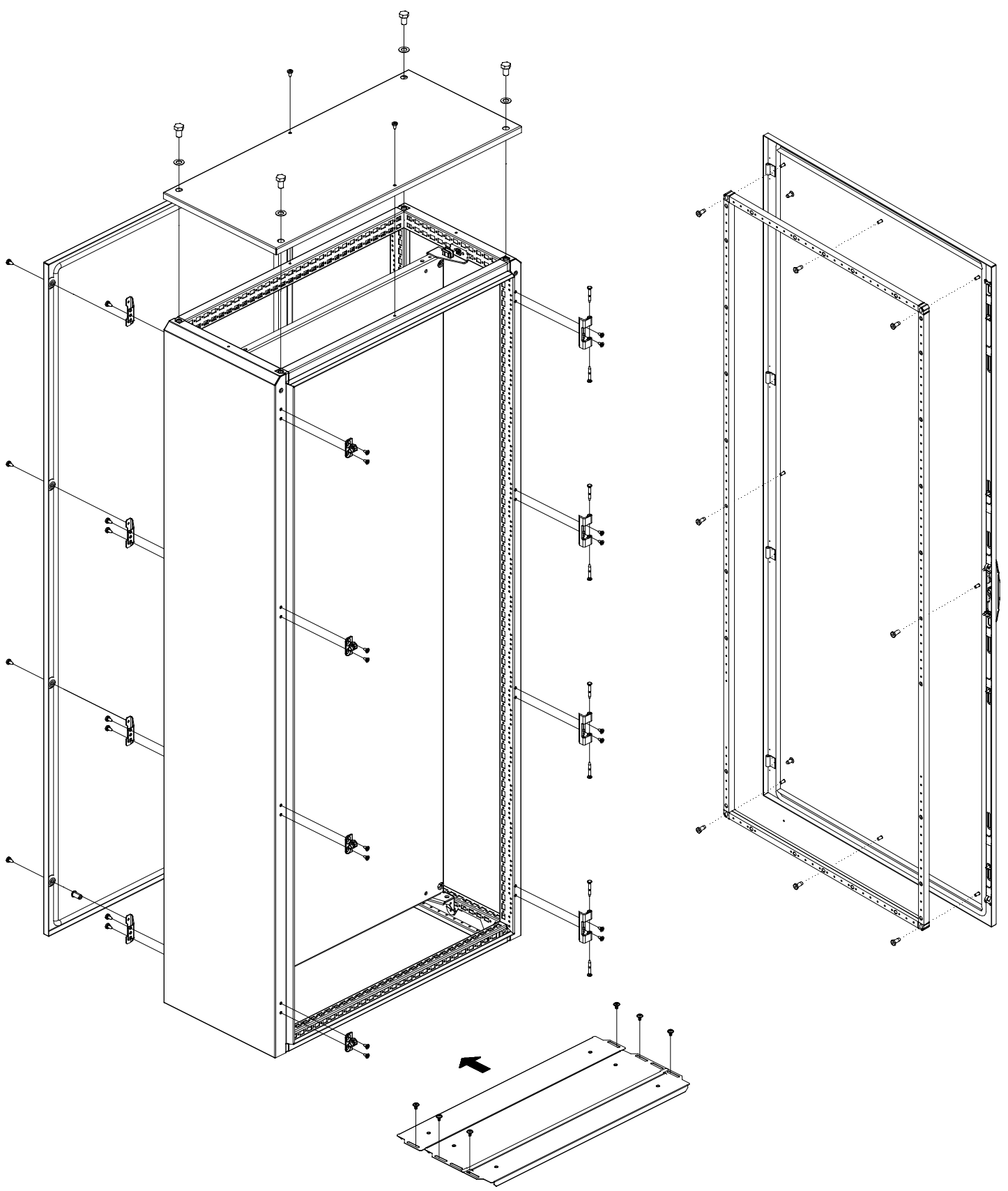
MCS



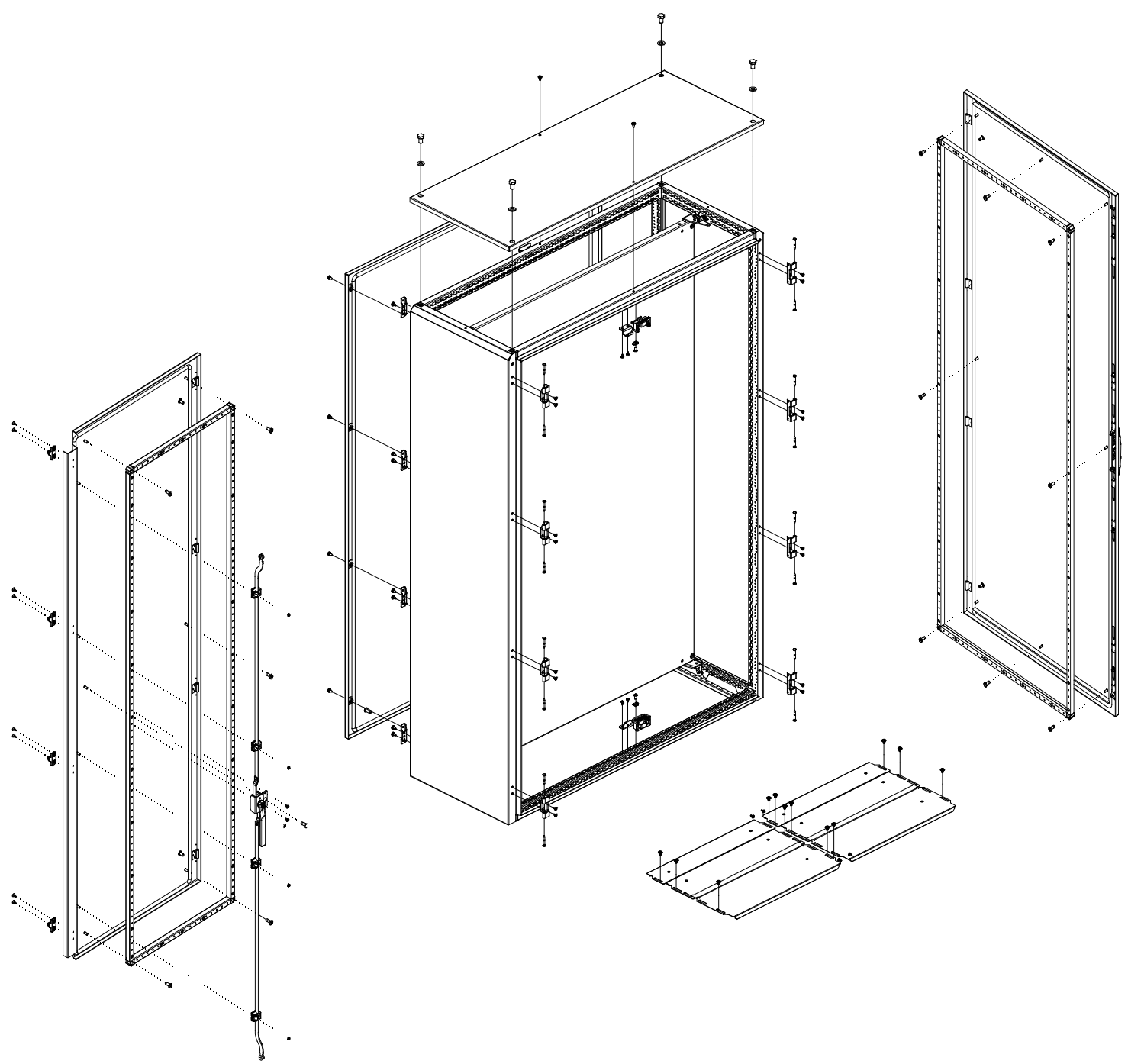
MCD



MKS



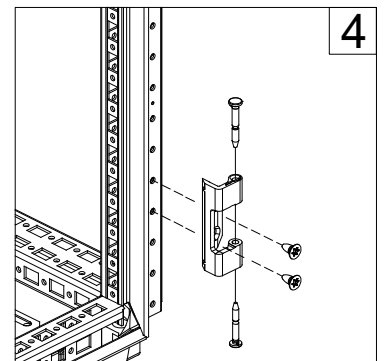
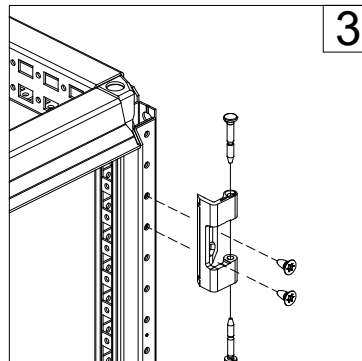
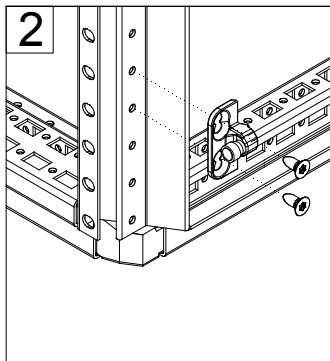
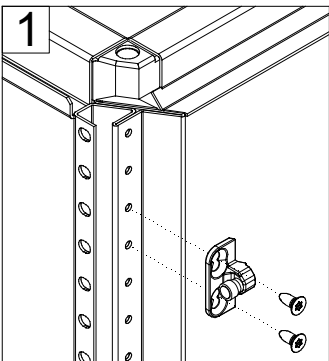
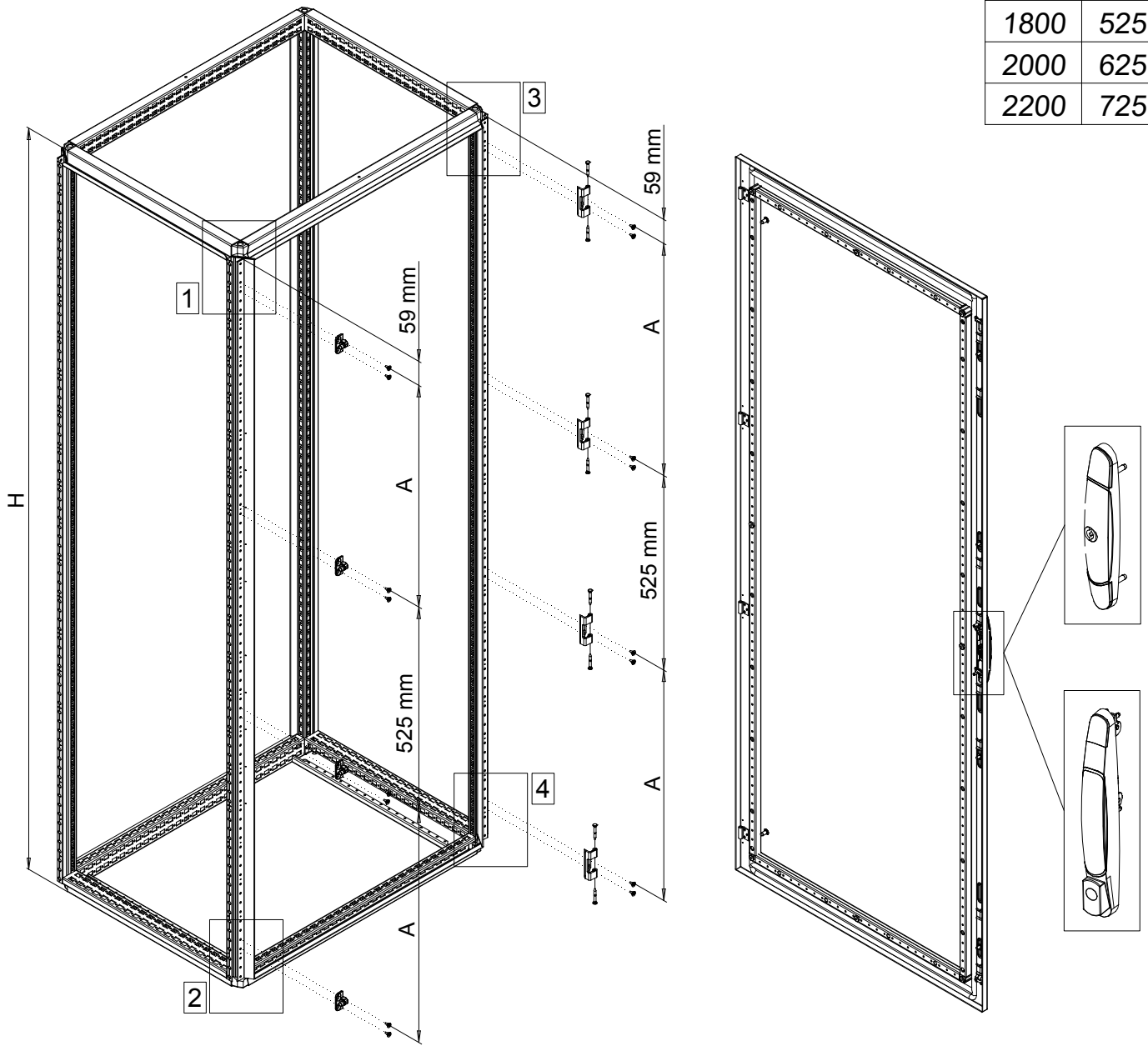
MKD



COMBINABLE ENCLOSURE



H	A
1100	175
1400	325
1600	425
1800	525
2000	625
2200	725



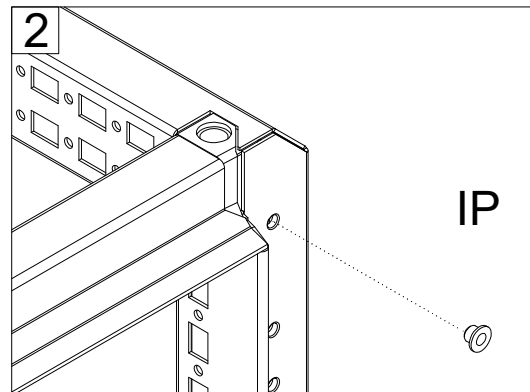
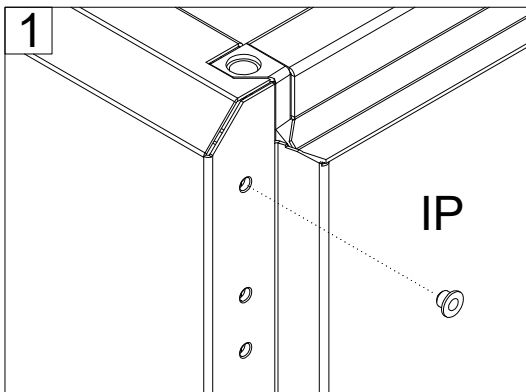
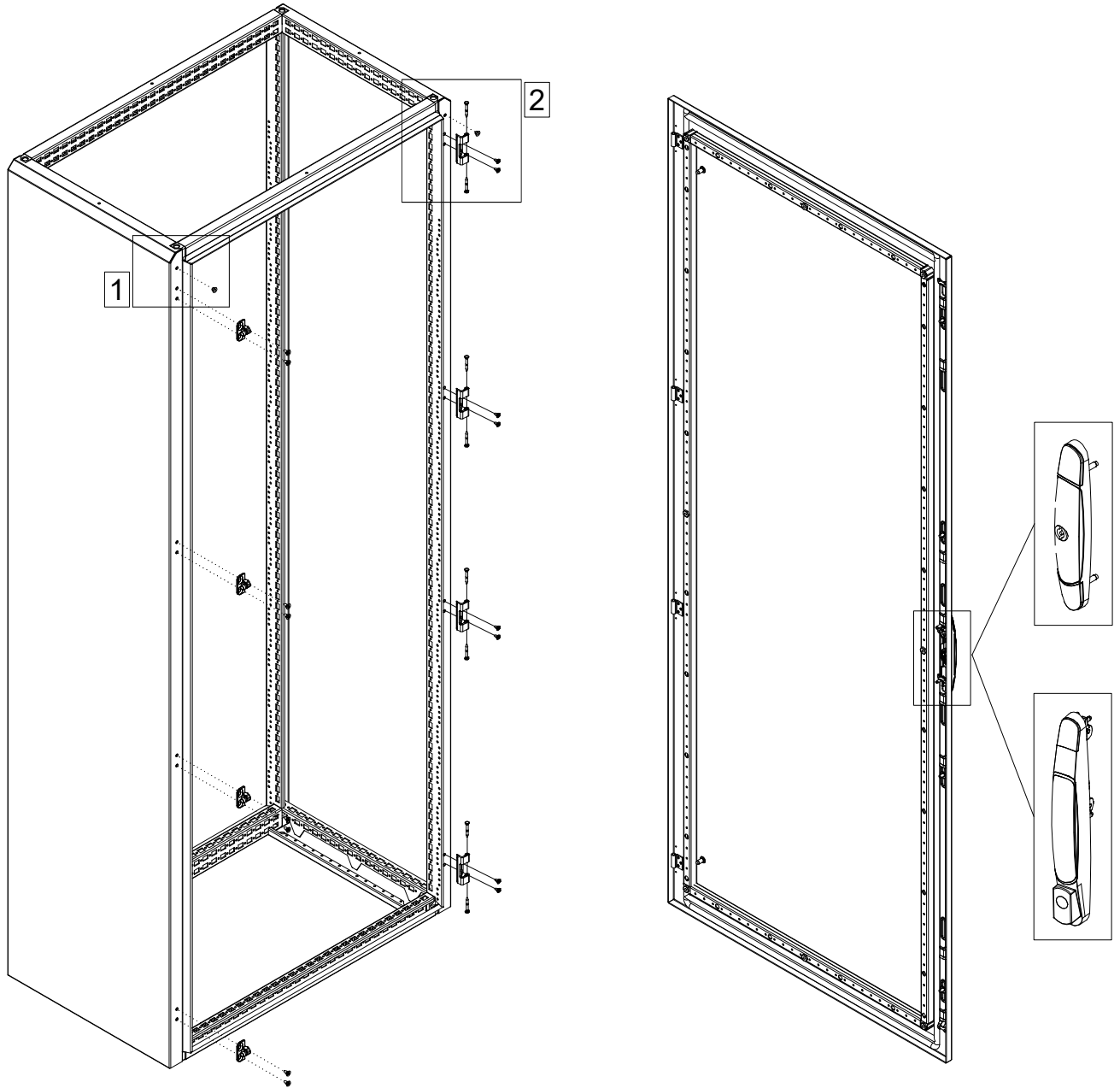


T30



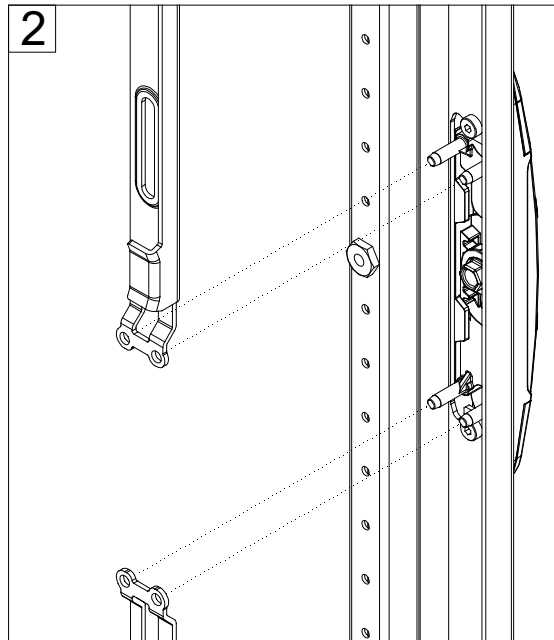
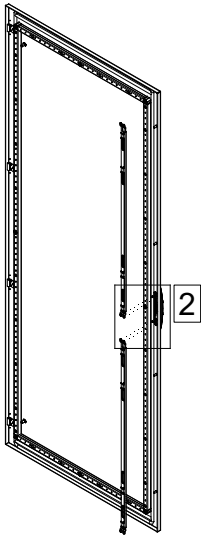
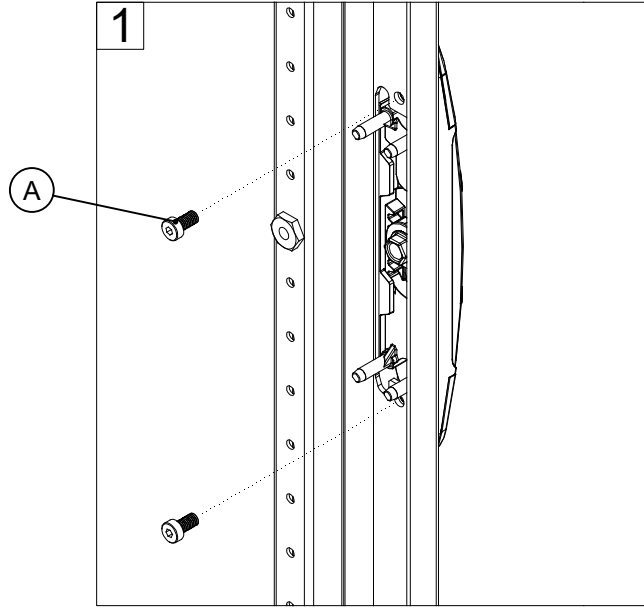
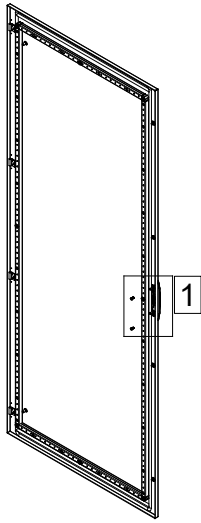
SW13

COMPACT ENCLOSURE

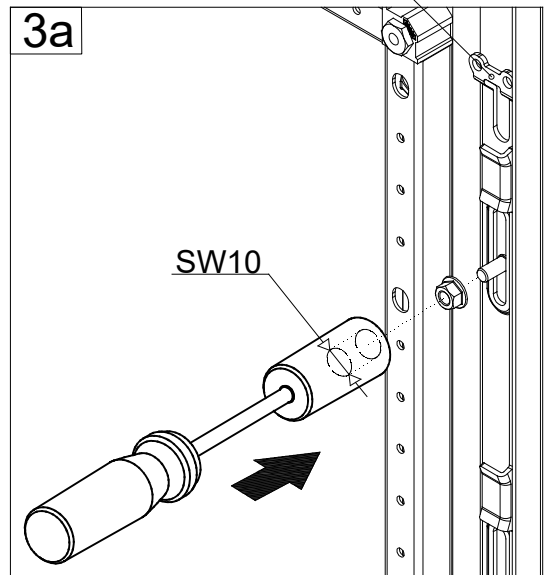
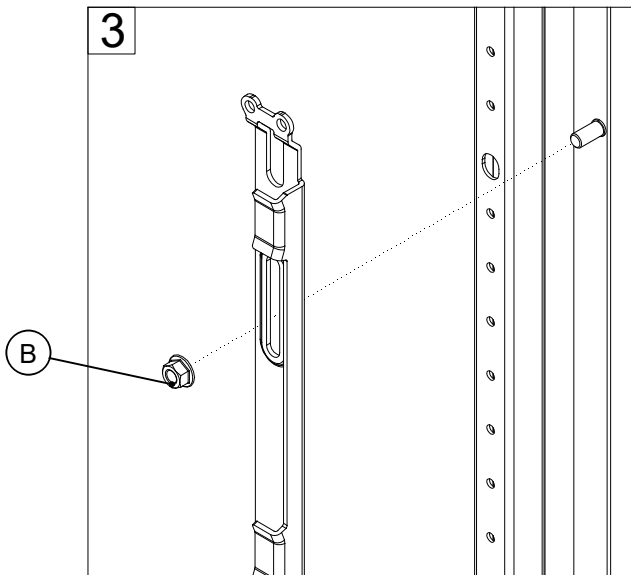
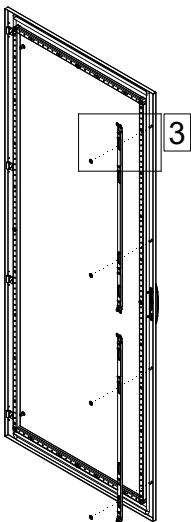




Ref.	Pic.	Qty.
A	M5x10	2
B	M5	4

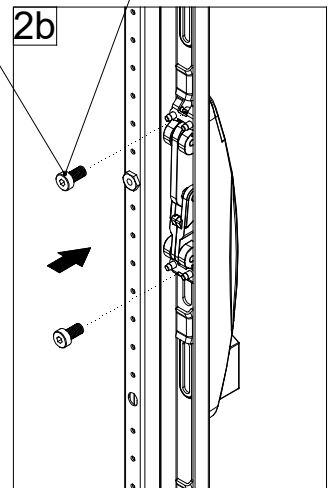
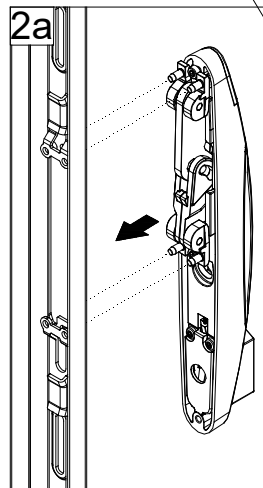
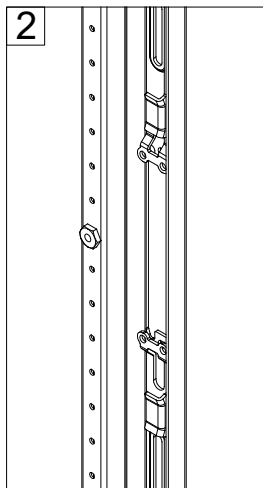
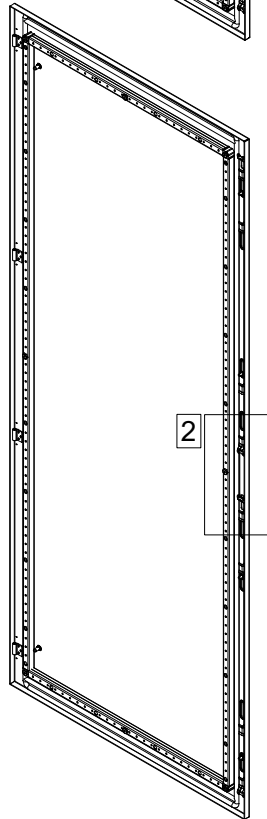
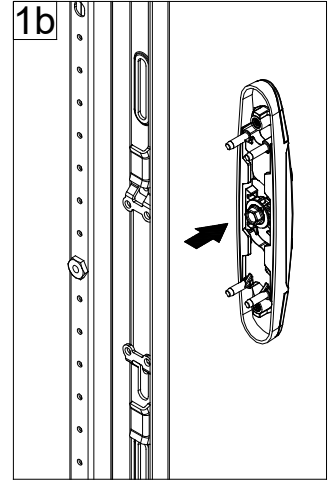
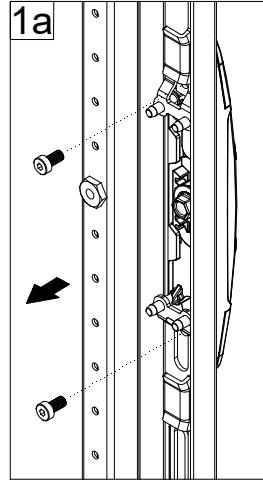
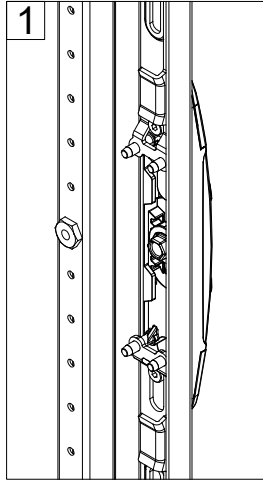
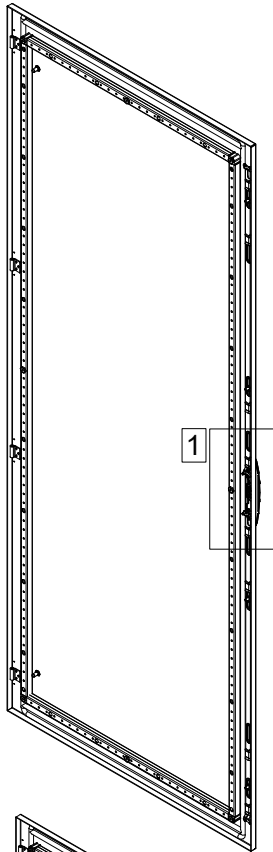


Metal Guider





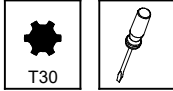
MOUNTING THE LIFT HANDLE



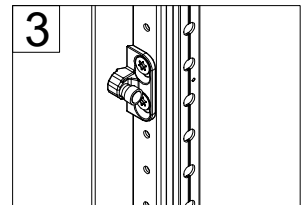
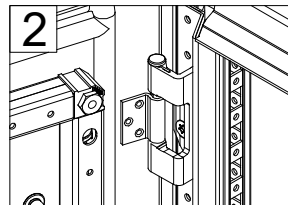
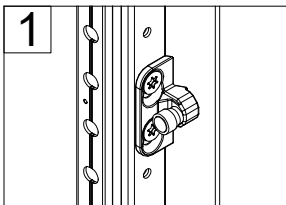
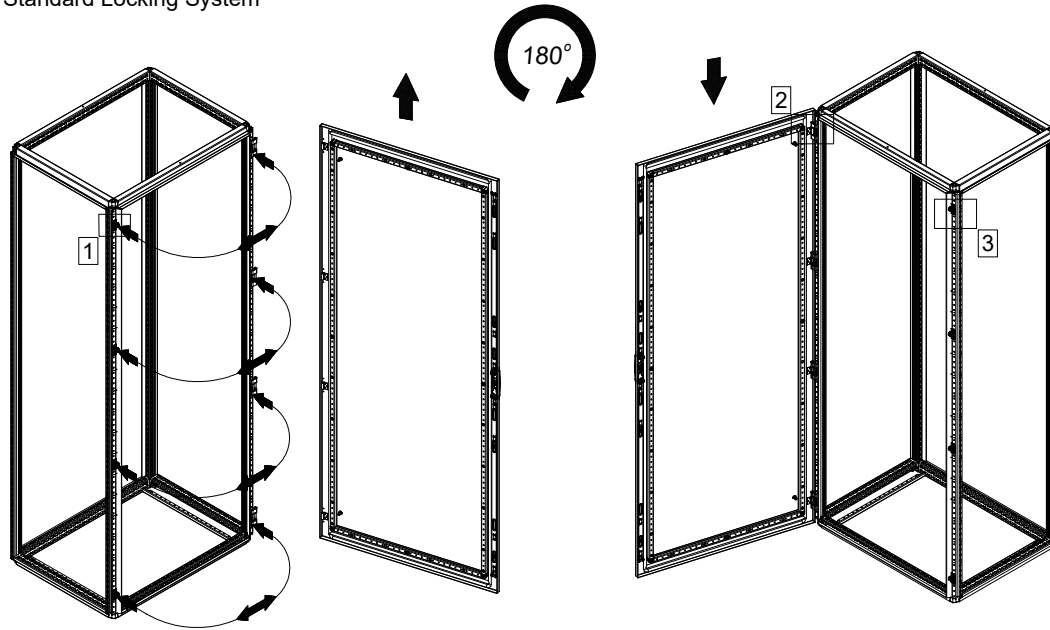
Torque
4-5.5 Nm

A

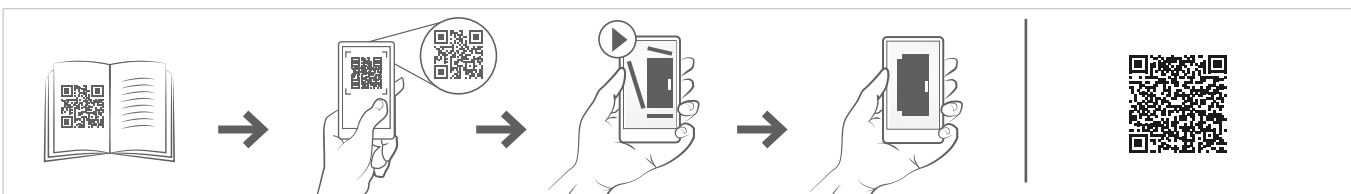
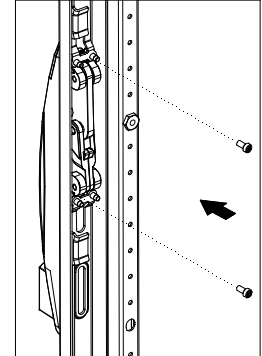
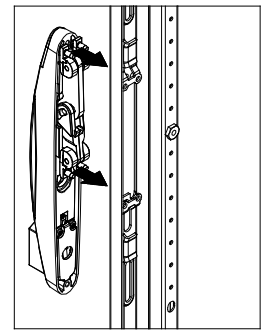
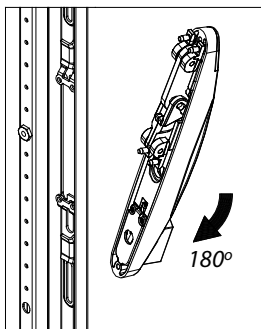
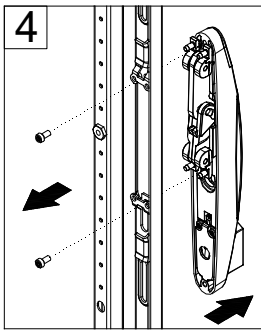
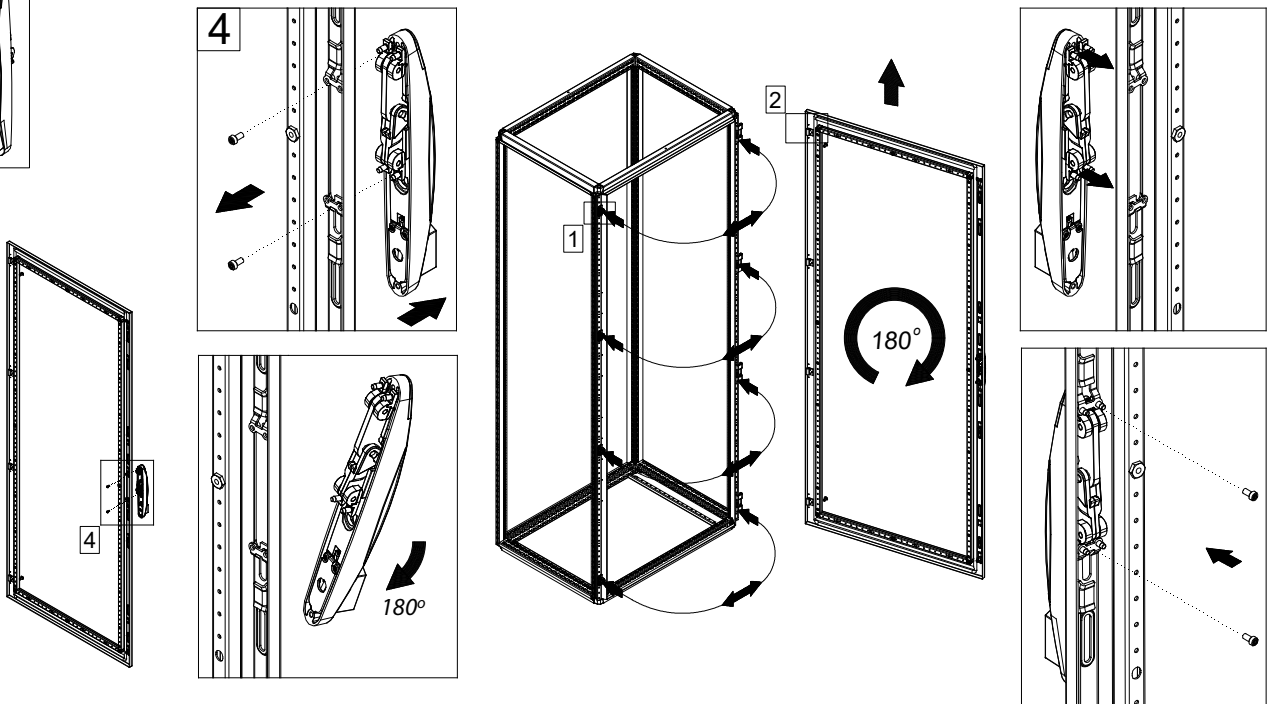
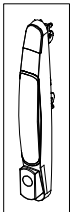




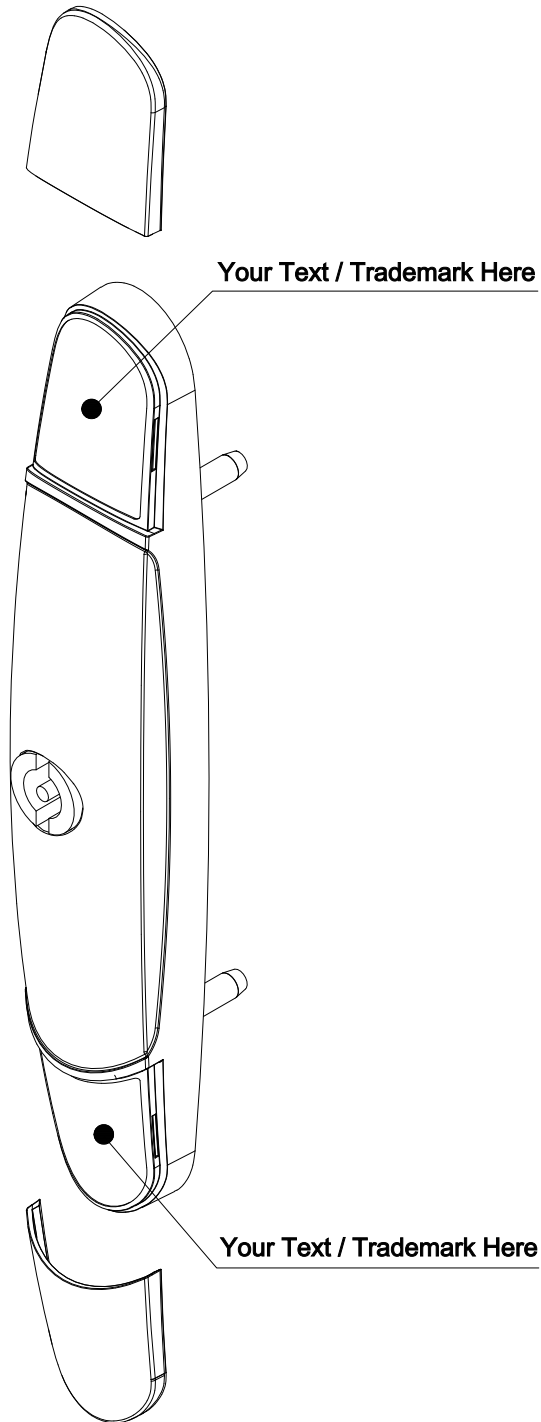
Standard Locking System



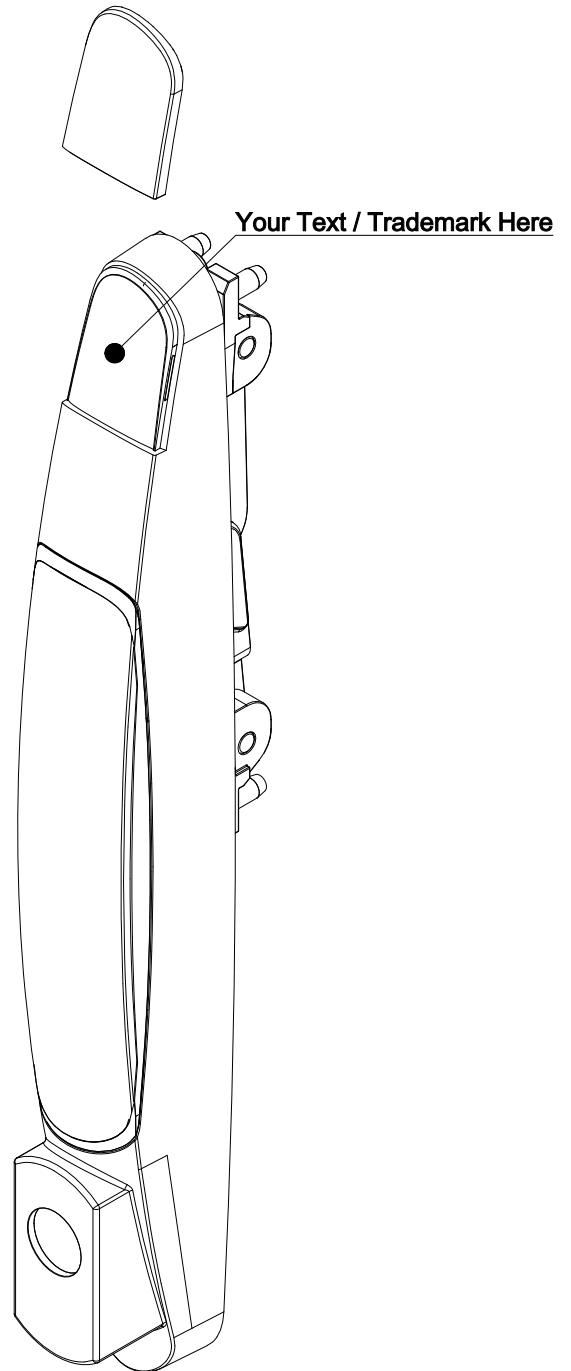
Lift Handle Locking System



Standard Locking System



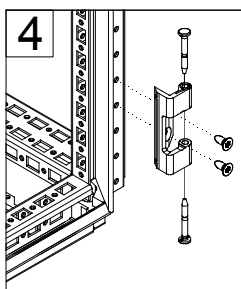
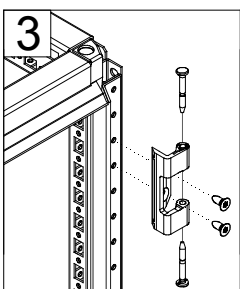
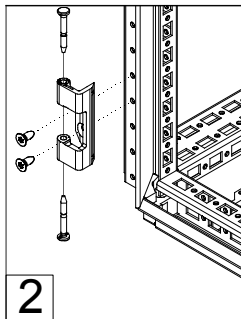
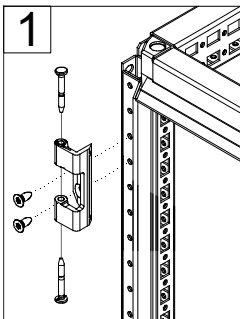
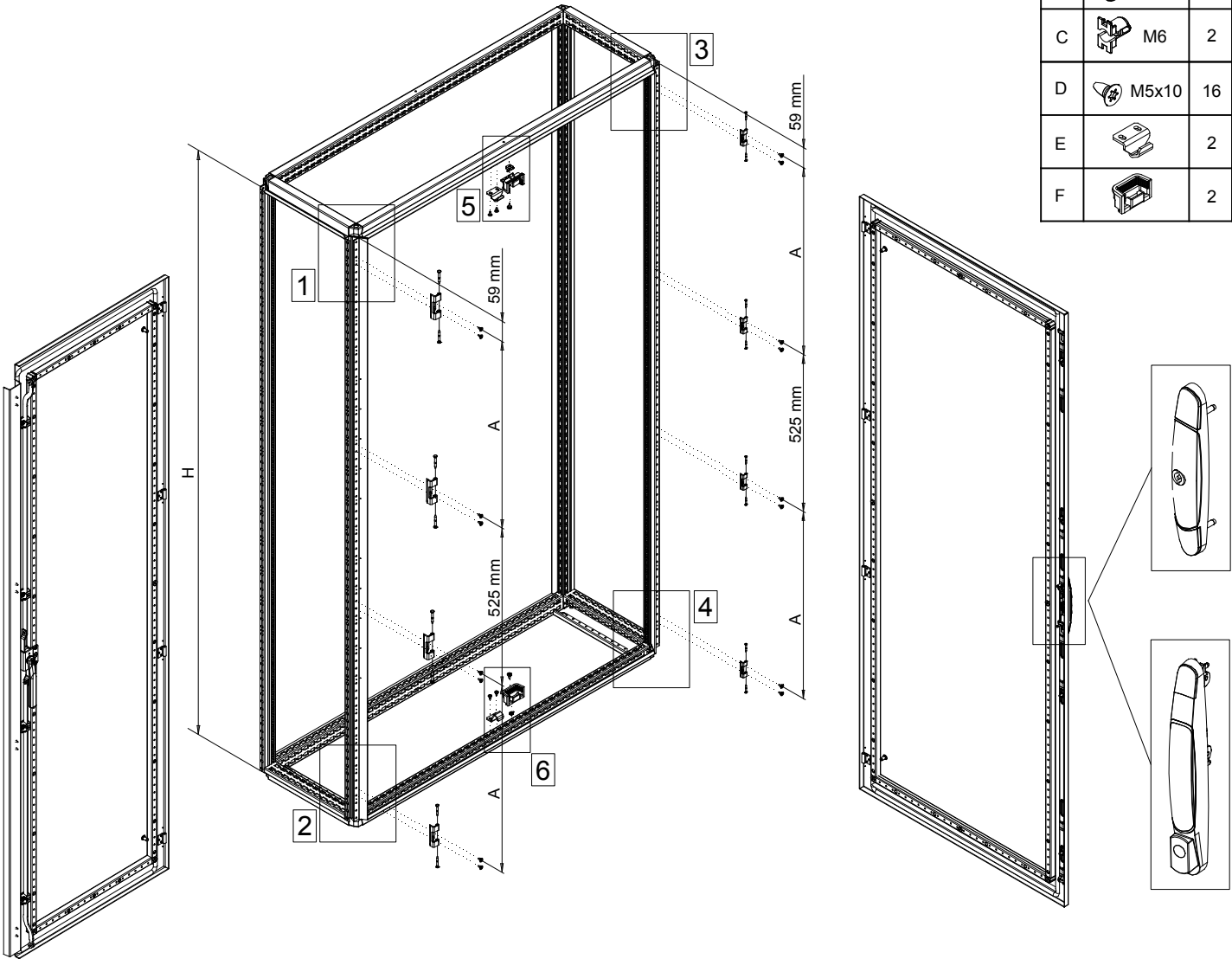
Lift Handle Locking System



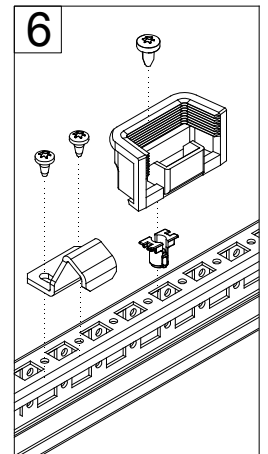
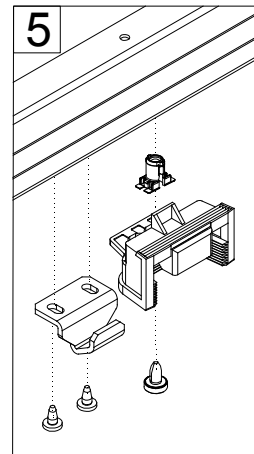
NOTE: transparent covers are ordered separately



Ref.	Pic.	
A		M5x10 8
B		M6x10 2
C		M6 2
D		M5x10 16
E		2
F		2



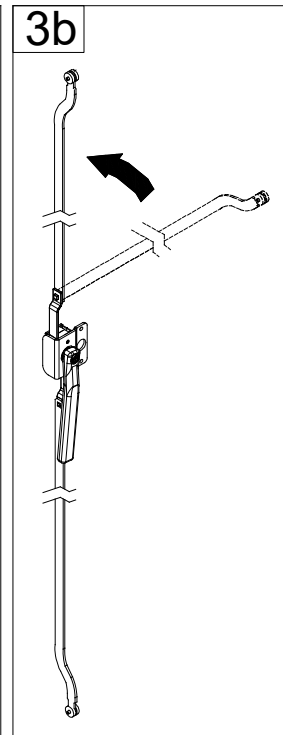
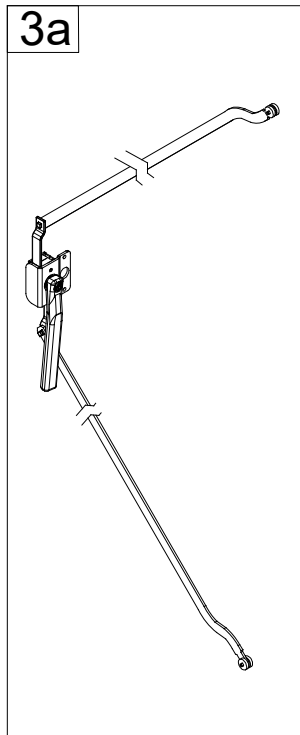
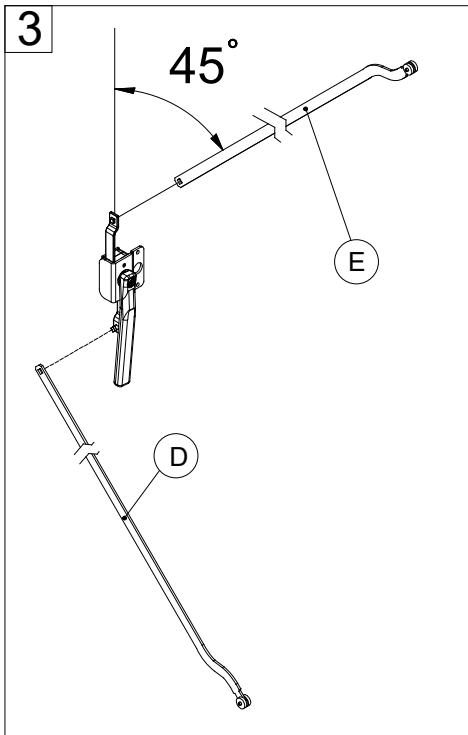
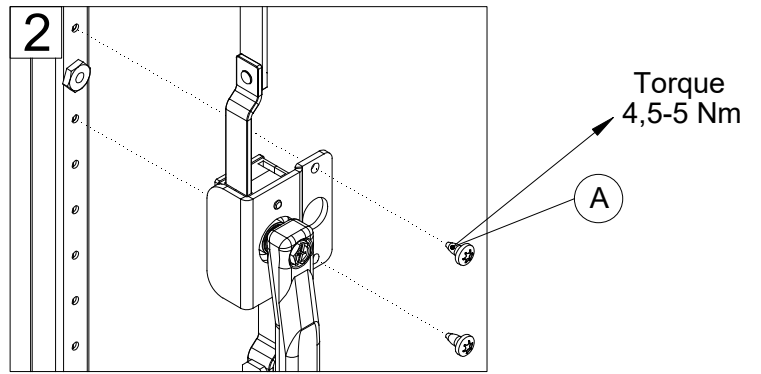
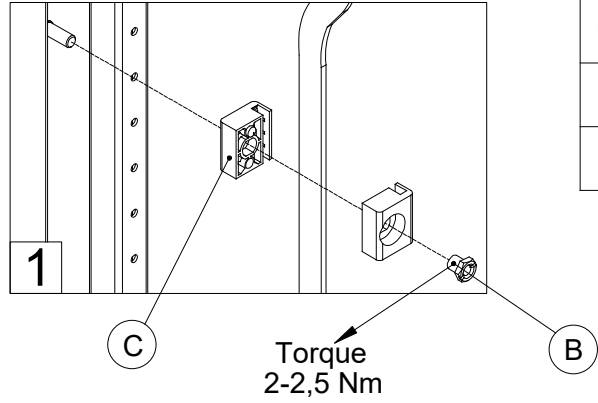
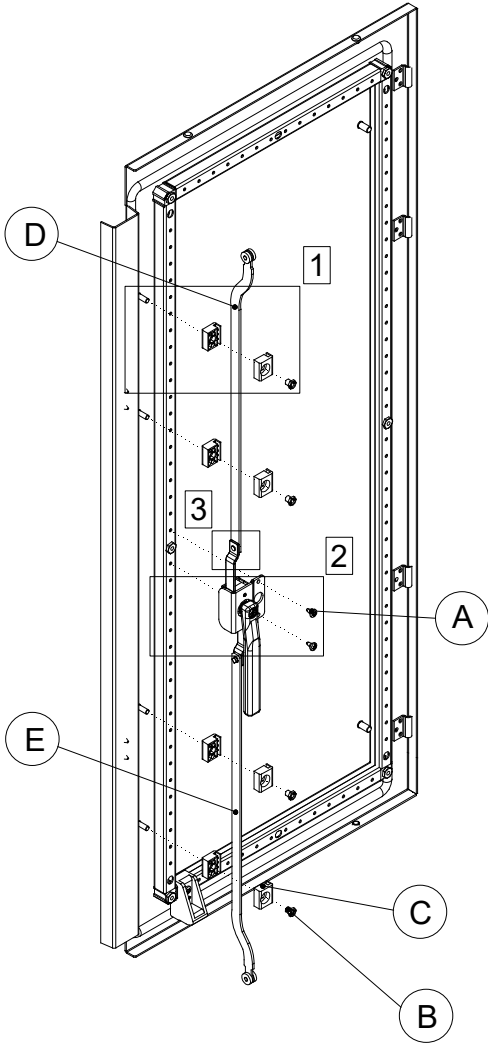
H	A
1100	175
1400	325
1600	425
1800	525
2000	625
2200	725





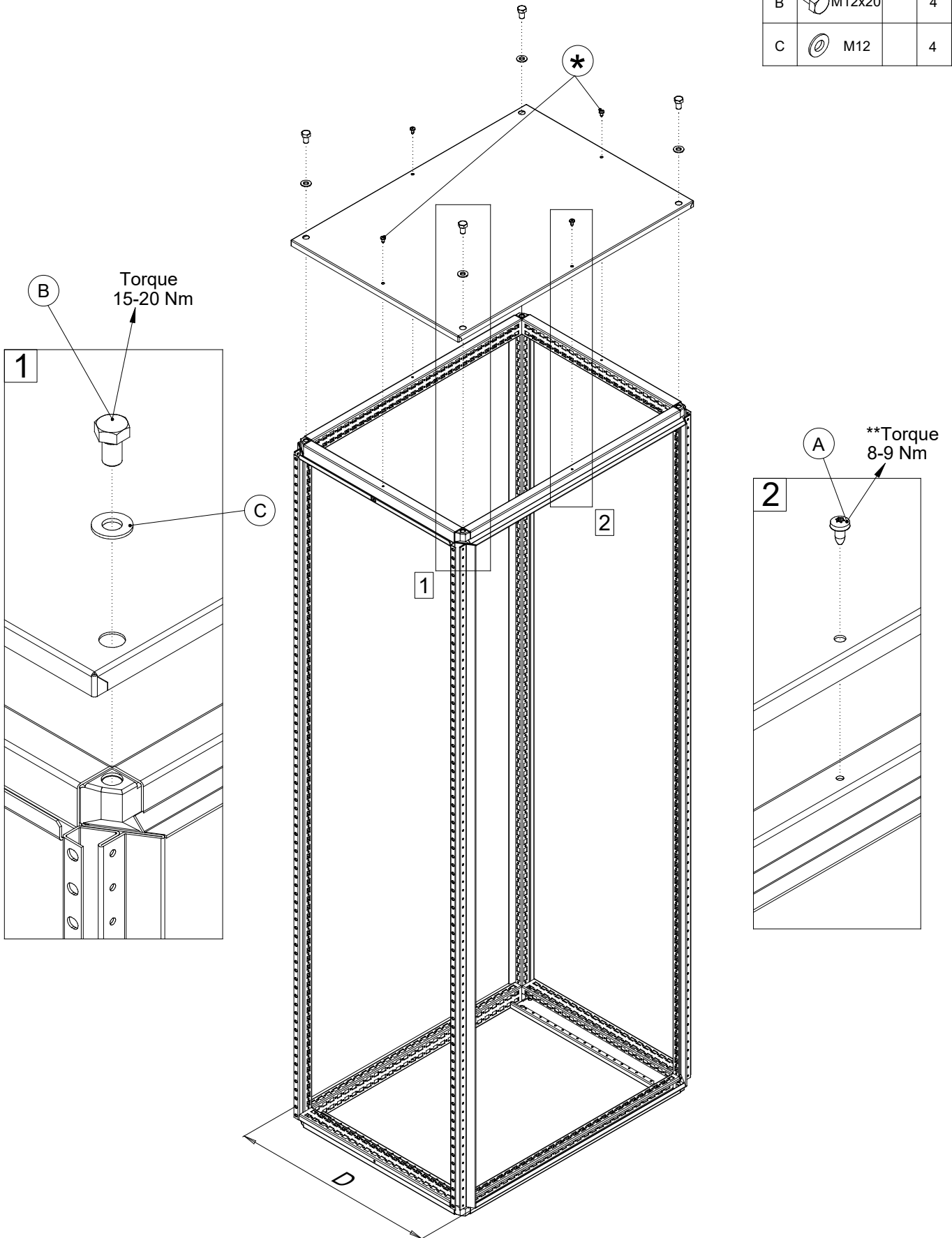
MOUNTING LSEL

Ref.	Pic.	Qty.
A		6
B		4
C		8
D		1
E		1





Ref.	Pic.	D (mm)	<800	≥800
A	M6x12		2	4
B	M12x20		4	4
C	M12		4	4



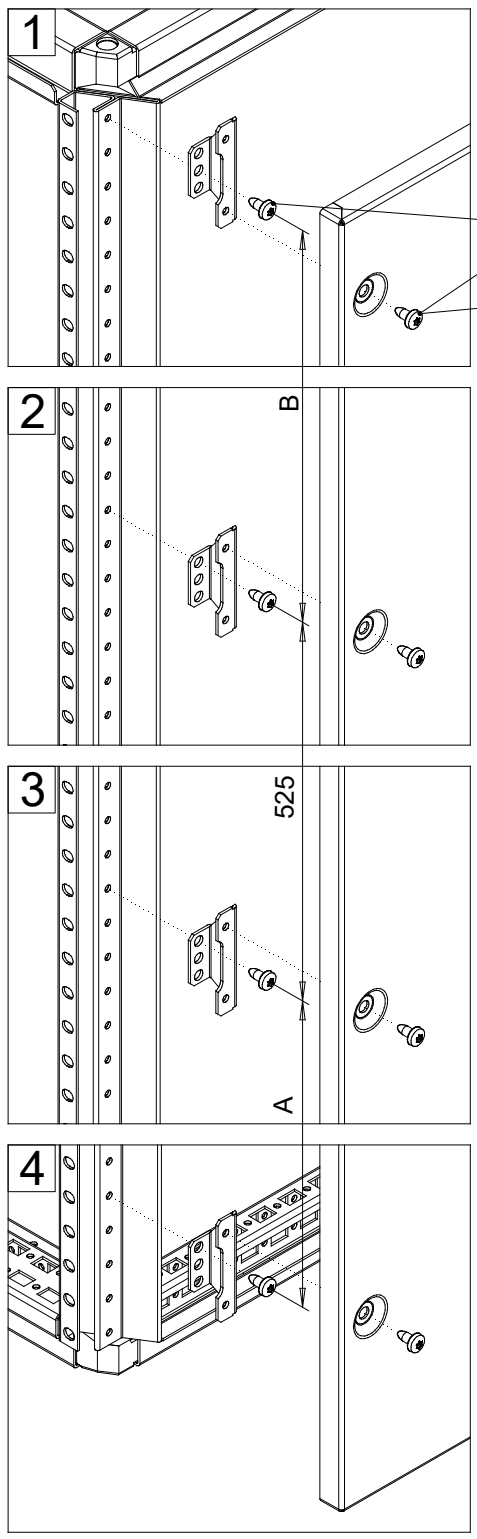
* - Used on enclosures 800mm deep and above.

** - Torque value for first tightening. For following tightening, torque value recommended is 4-5 Nm.

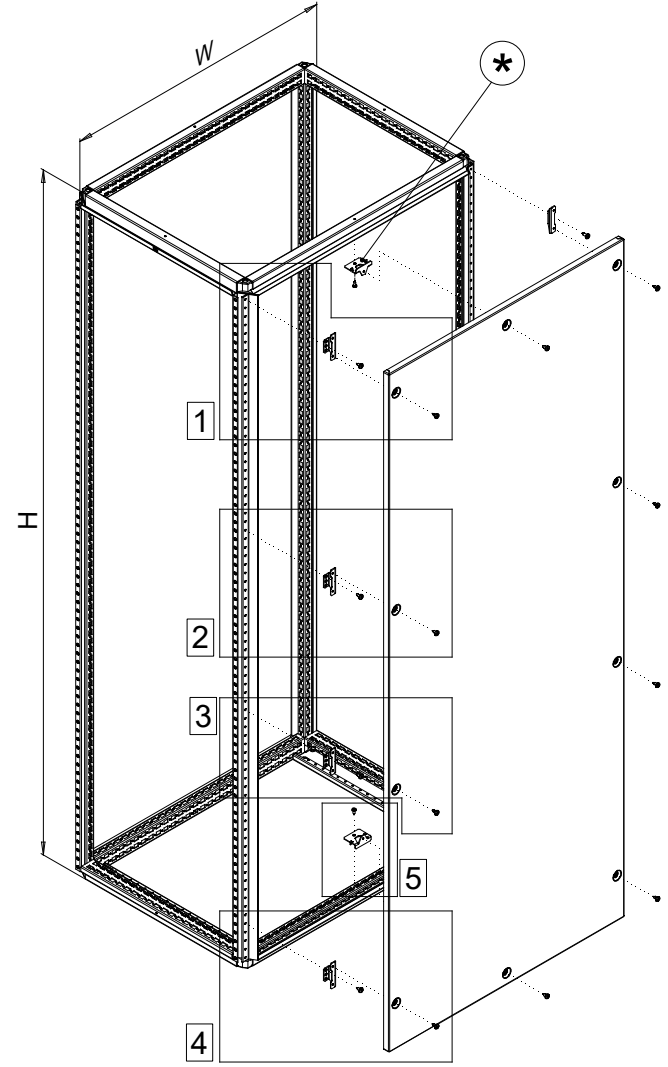
MCS BACK PANEL



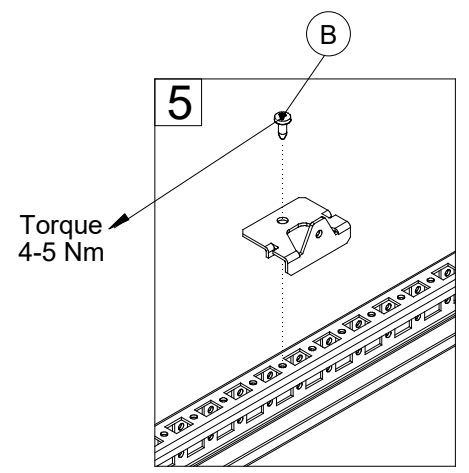
Ref.	Pic.	W (mm)	<1000	≥1000
A	M5x10		-	2
B	M6x12	16	18	



Torque
4-5 Nm

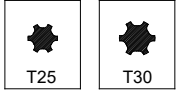


H	A	B
1100	-	350
1400	325	375
1600	425	475
1800	525	575
2000	625	675
2200	725	775

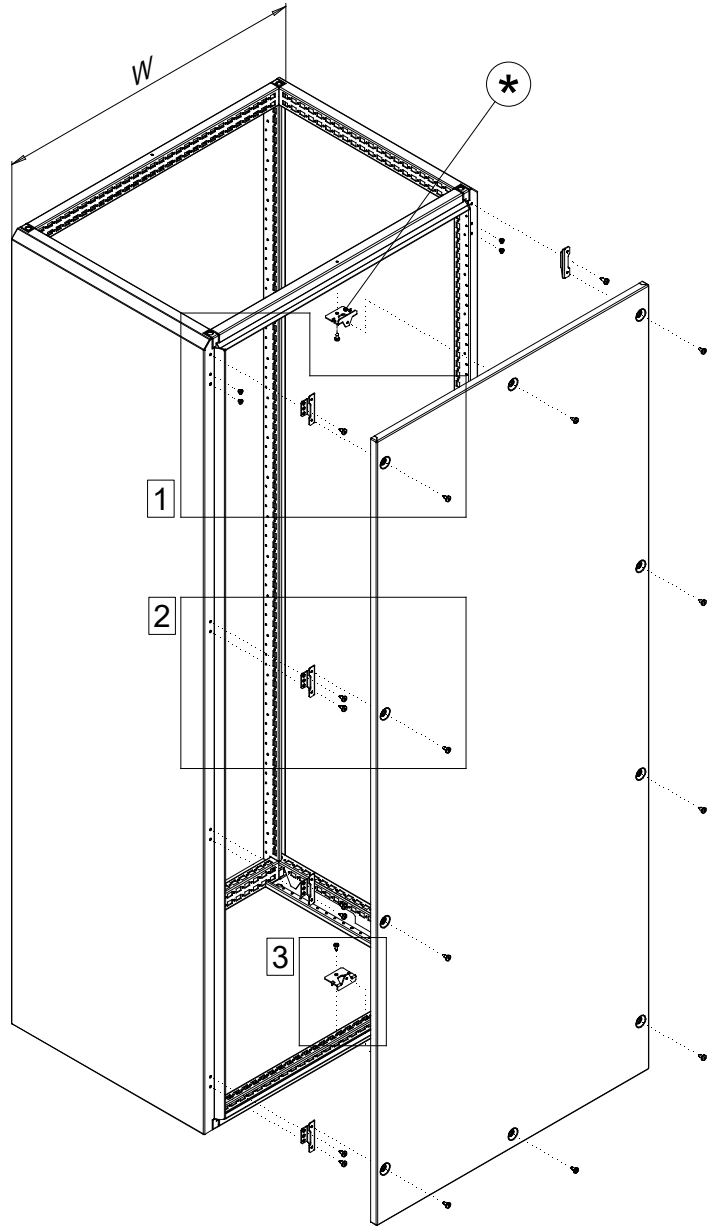
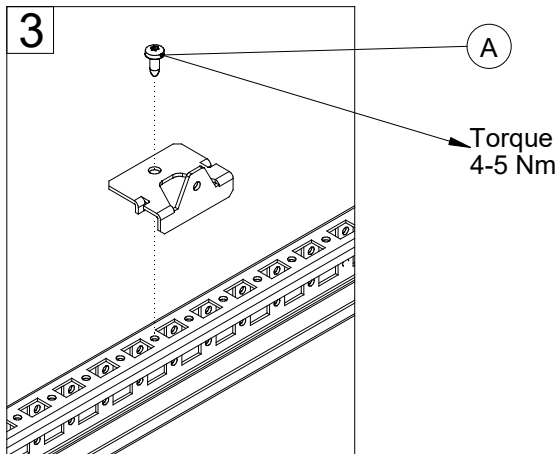
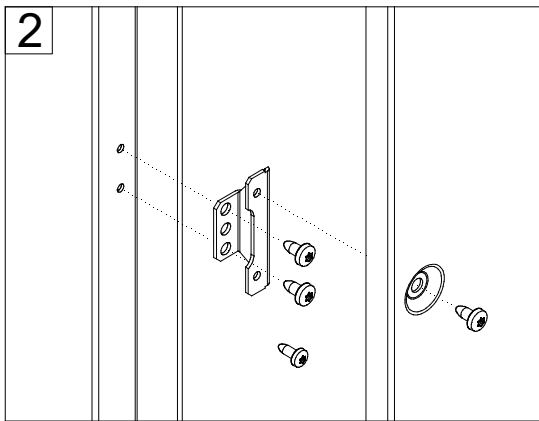
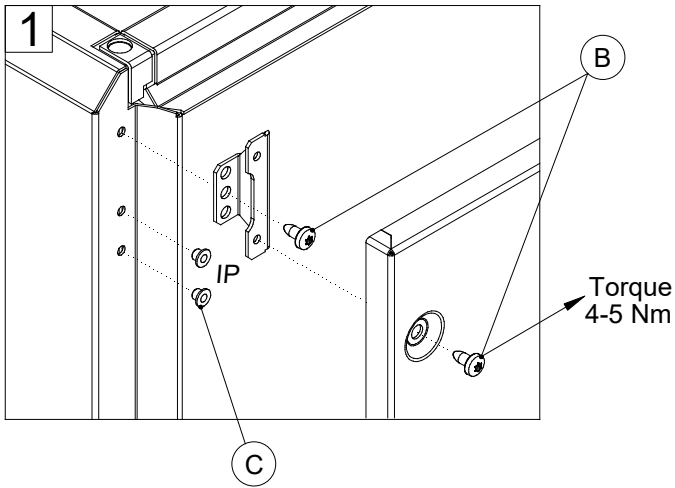


* - Used on enclosures 1000mm wide and above.

MKS BACK PANEL

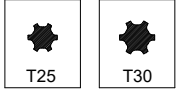


Ref.	Pic.	W (mm)	<1000	≥1000
A	M5x10		-	2
B	M6x12	22	24	
C			4	4

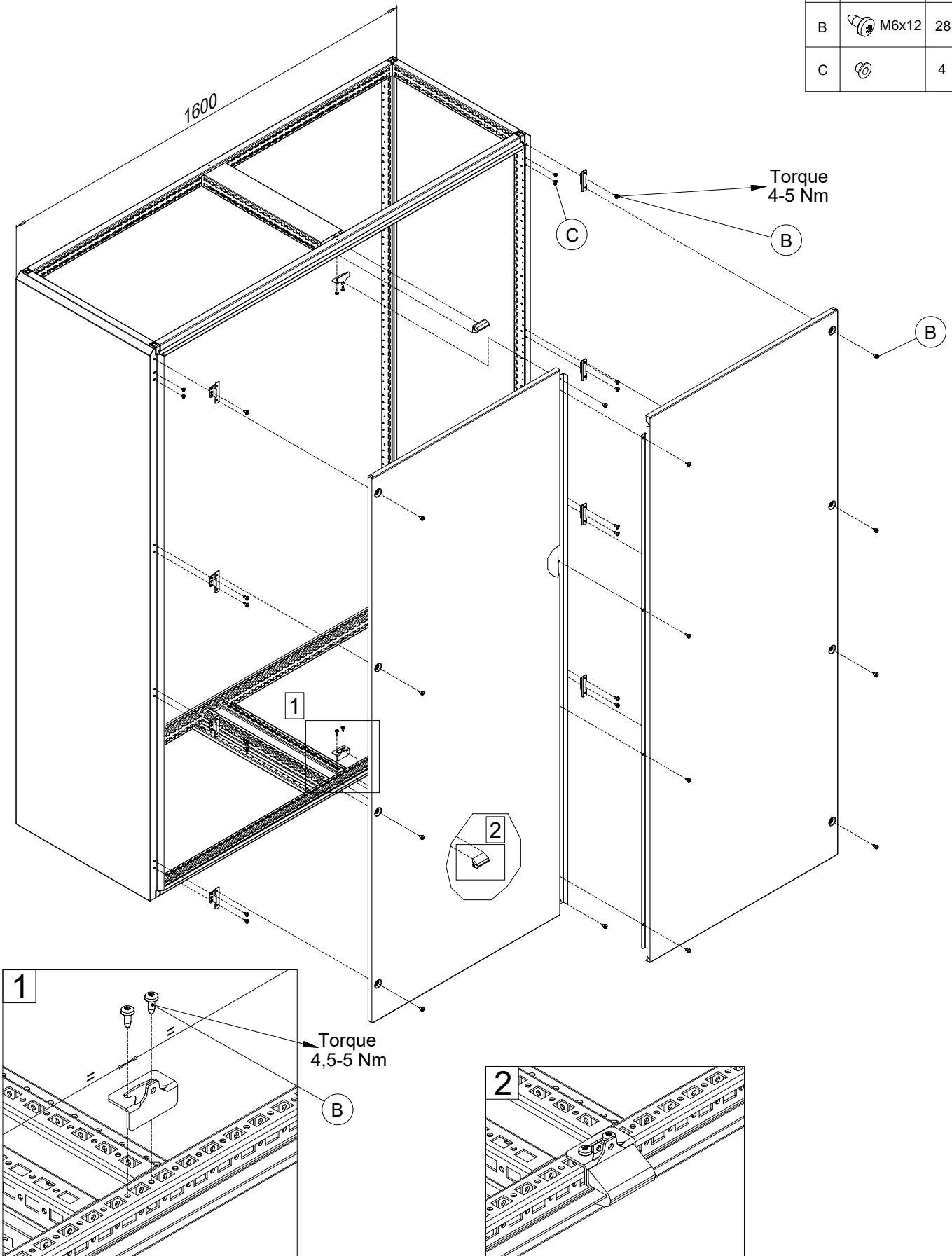


* - Used on enclosures 1000mm and 1200mm wide.

MKD BACK PANELS



Ref.	Pic.	Qty.
A		4
B		28
C		4

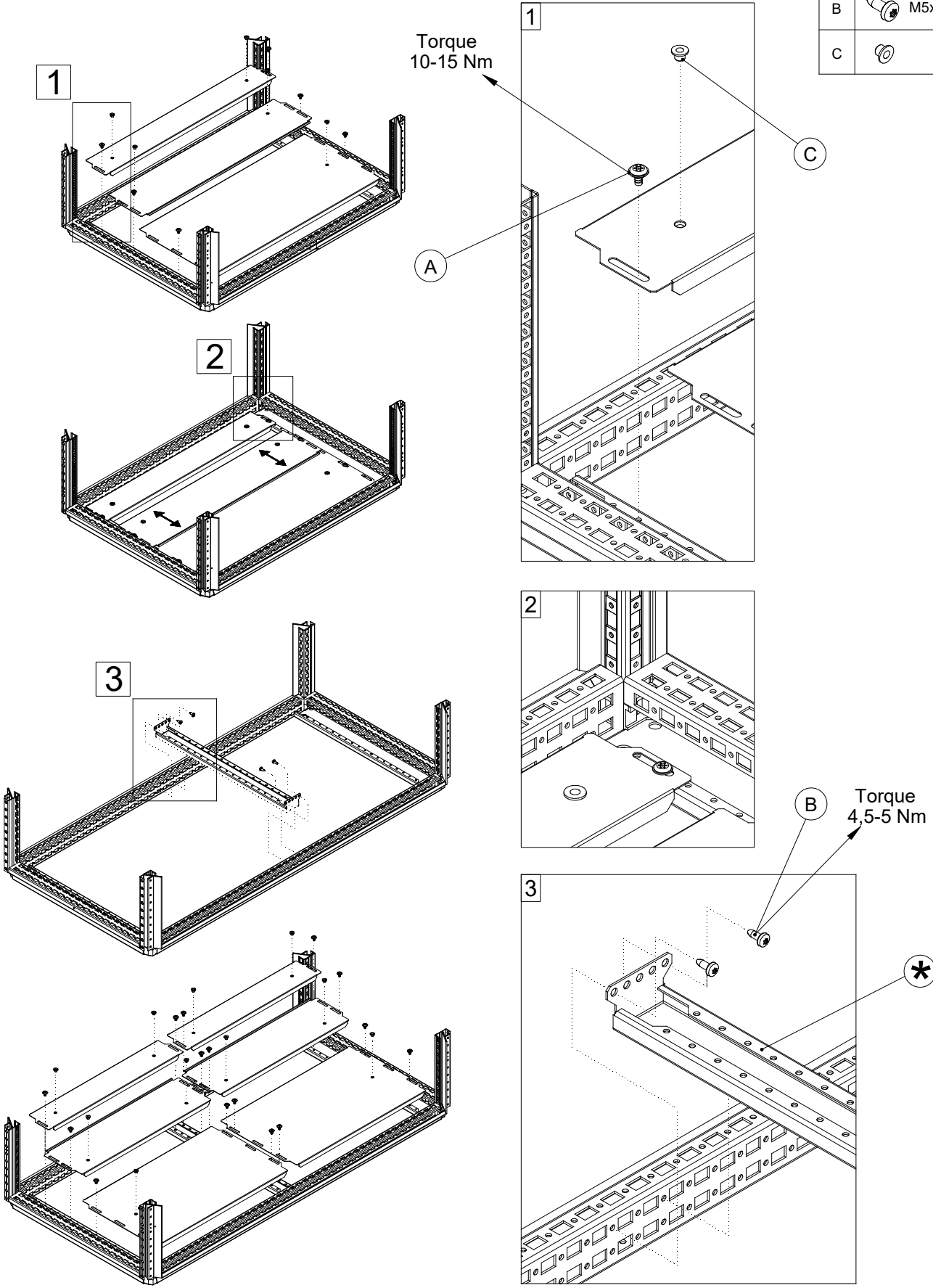




T25

BOTTOM PLATE

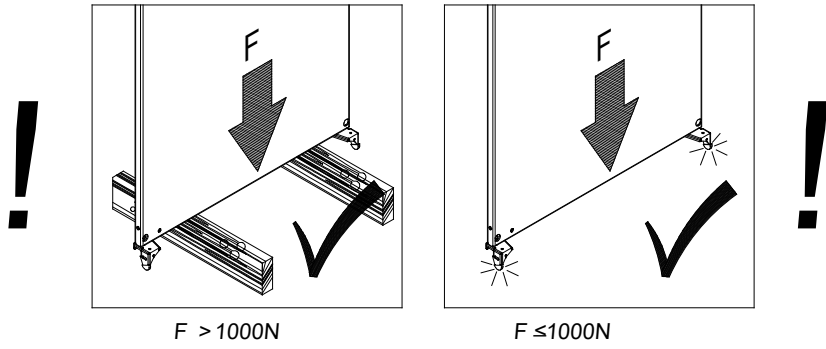
Ref.	Pic.	Qty.
A	St. 5.5x10	6/8/12/16
B	M5x10	4
C	Washer	5/7/10/14



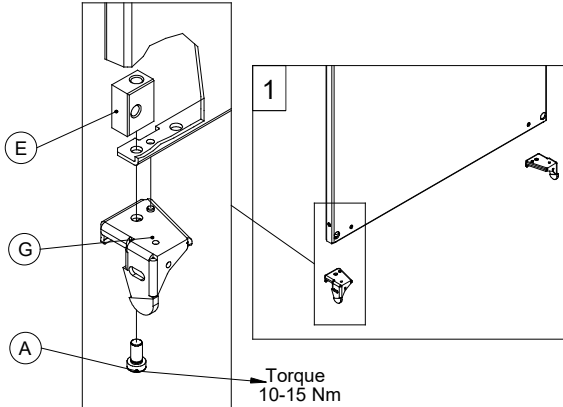
* - Used only on 1200mm wide enclosures.



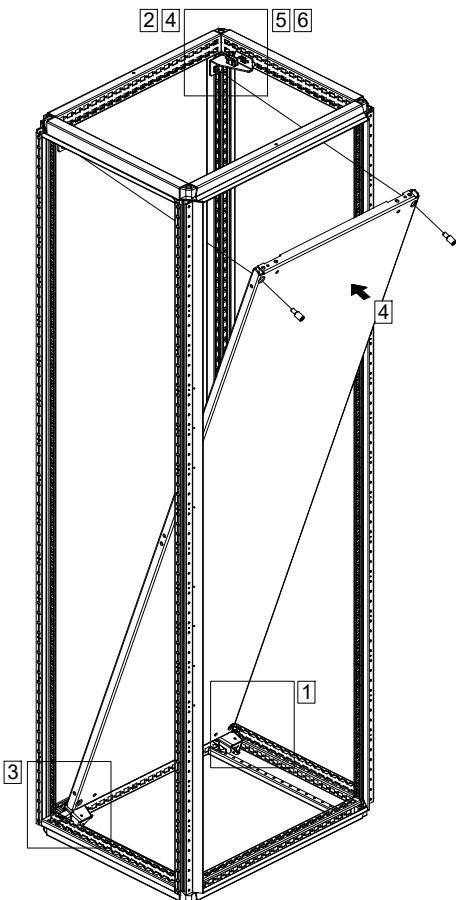
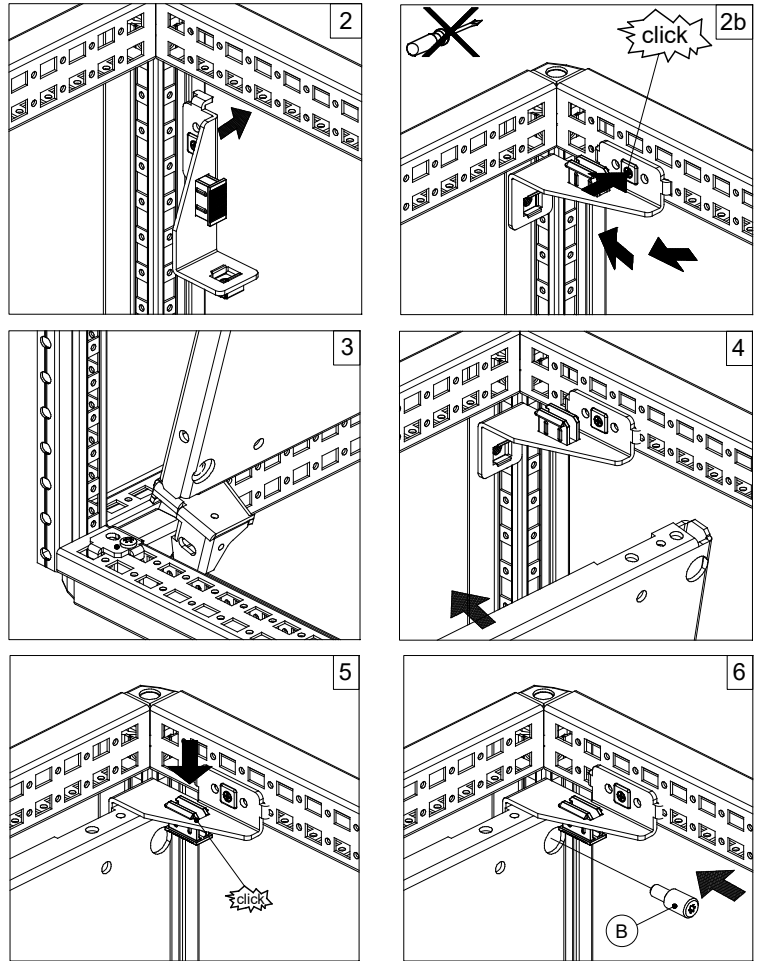
MOUNTING PLATE



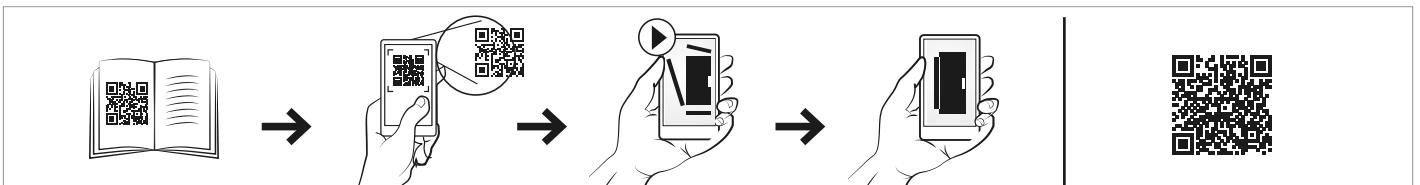
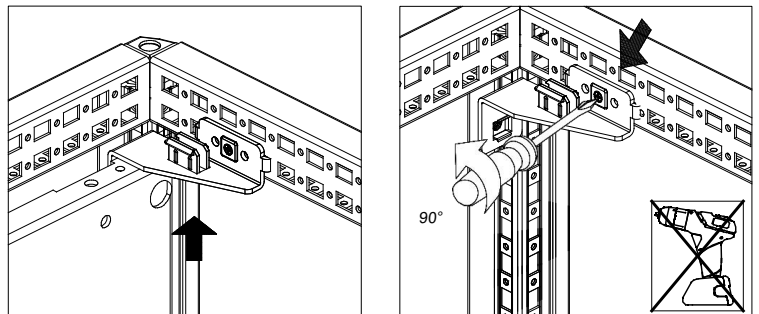
Ref.	Pic.	Qty.
A	M8x16	2
B	M8x16	2
C		2
D	Bottom right	1
E	Bottom left	1
F	Top right	1
G	Top left	1






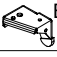

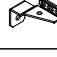


MOUNTING

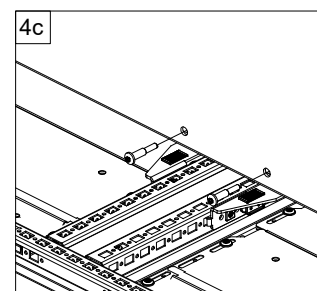
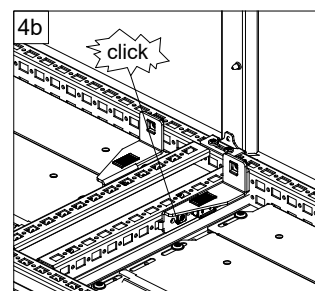
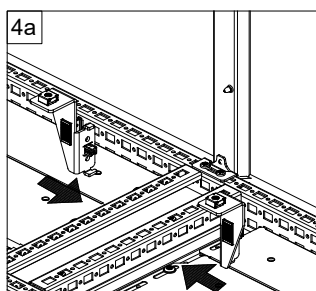
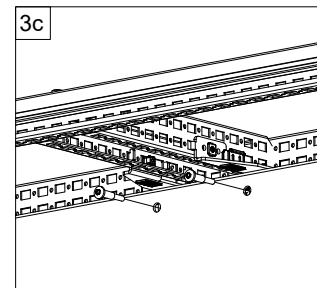
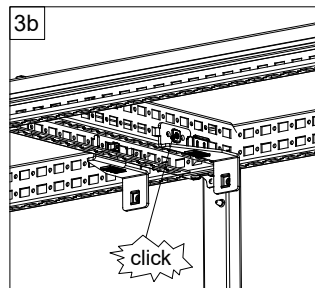
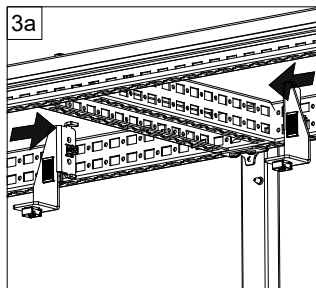
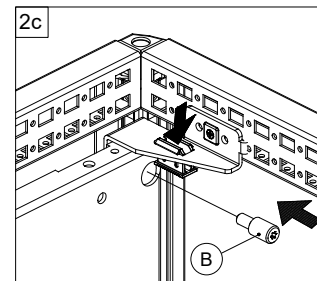
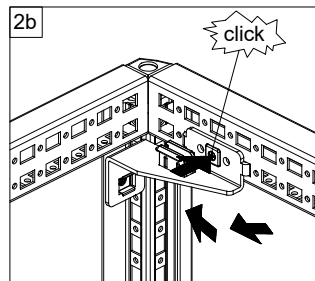
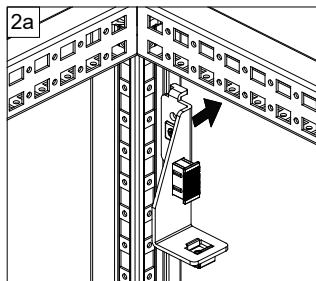
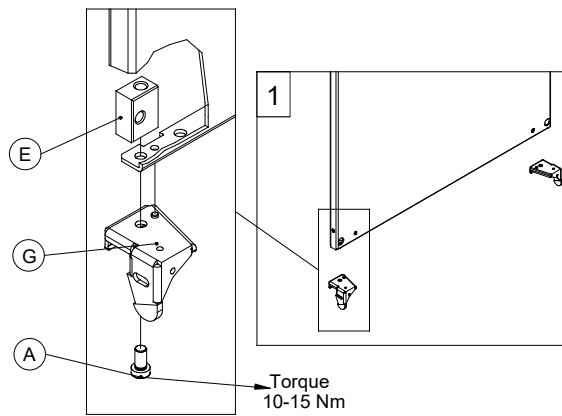
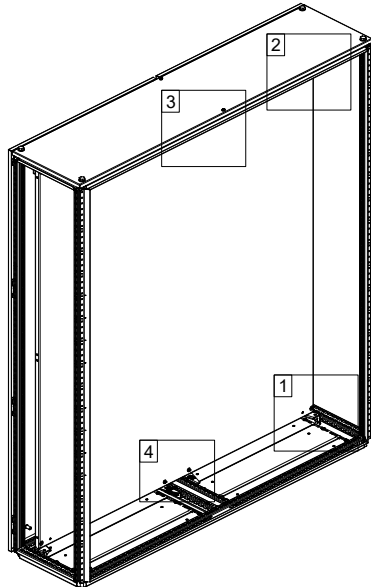
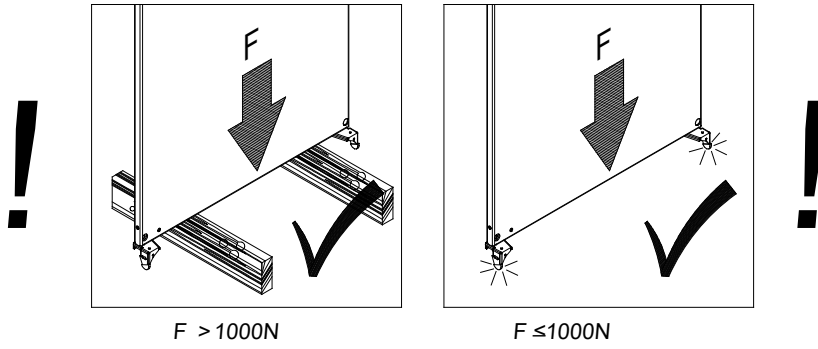


UNMOUNTING



MOUNTING PLATE 1600 WIDE

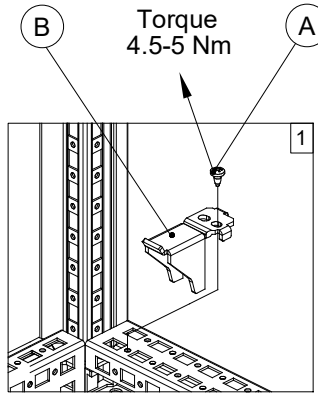
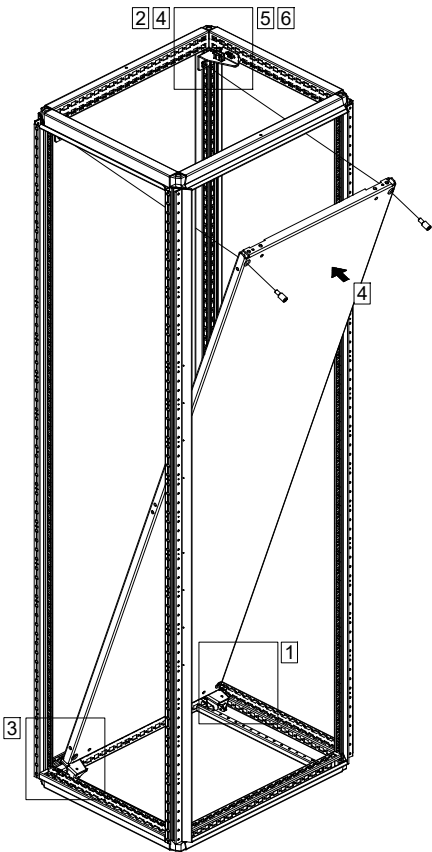
Ref.	Pic.	Qty.
A	 M8x16	2
B	 M8x16	2
C		2
D	 Bottom right	1
E	 Bottom left	1
F	 Top right	3
G	 Top left	3
H	 M8x40	4



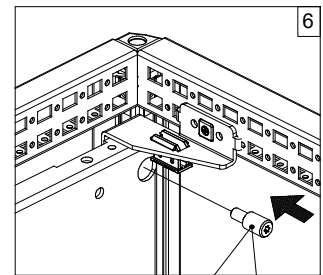
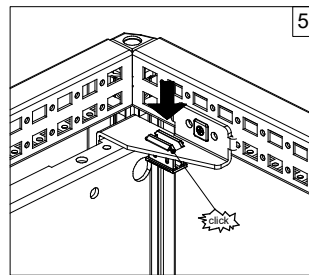
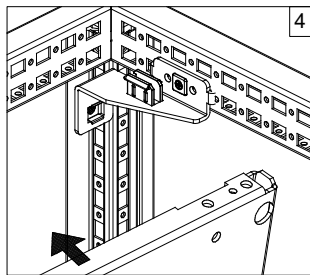
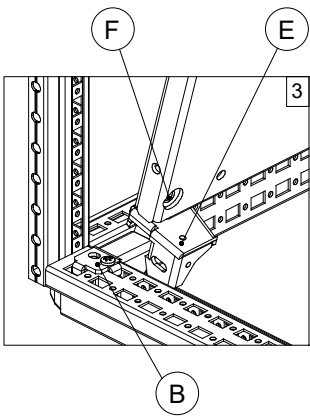
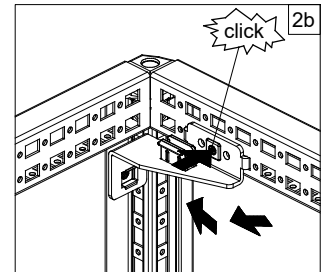
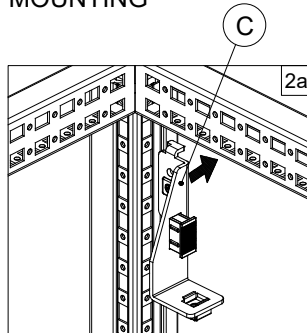


MPD02

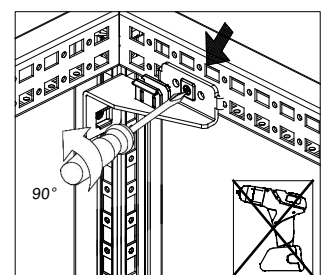
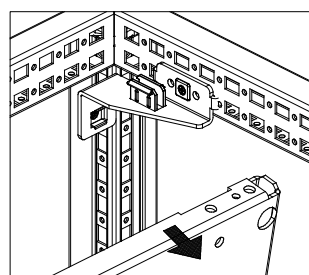
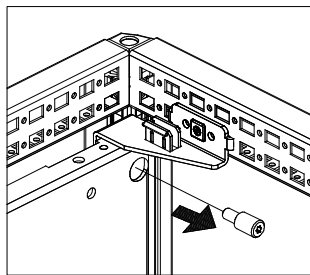
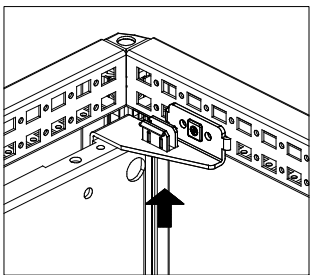
Ref.	Pic.	Qty.
A	M5X12	2
B	Bottom left	1
C	Bottom right	1






MOUNTING



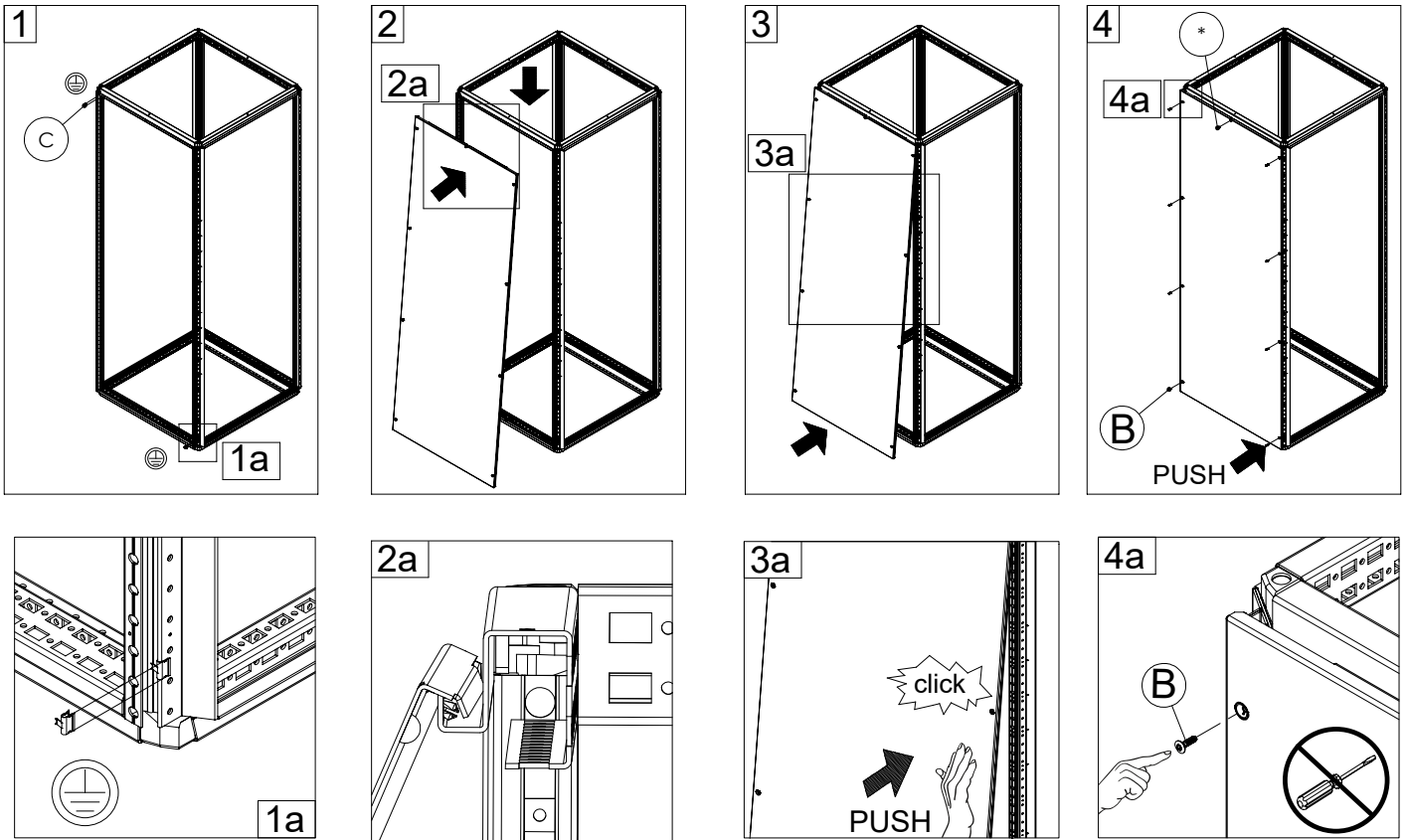
UNMOUNTING



SPM

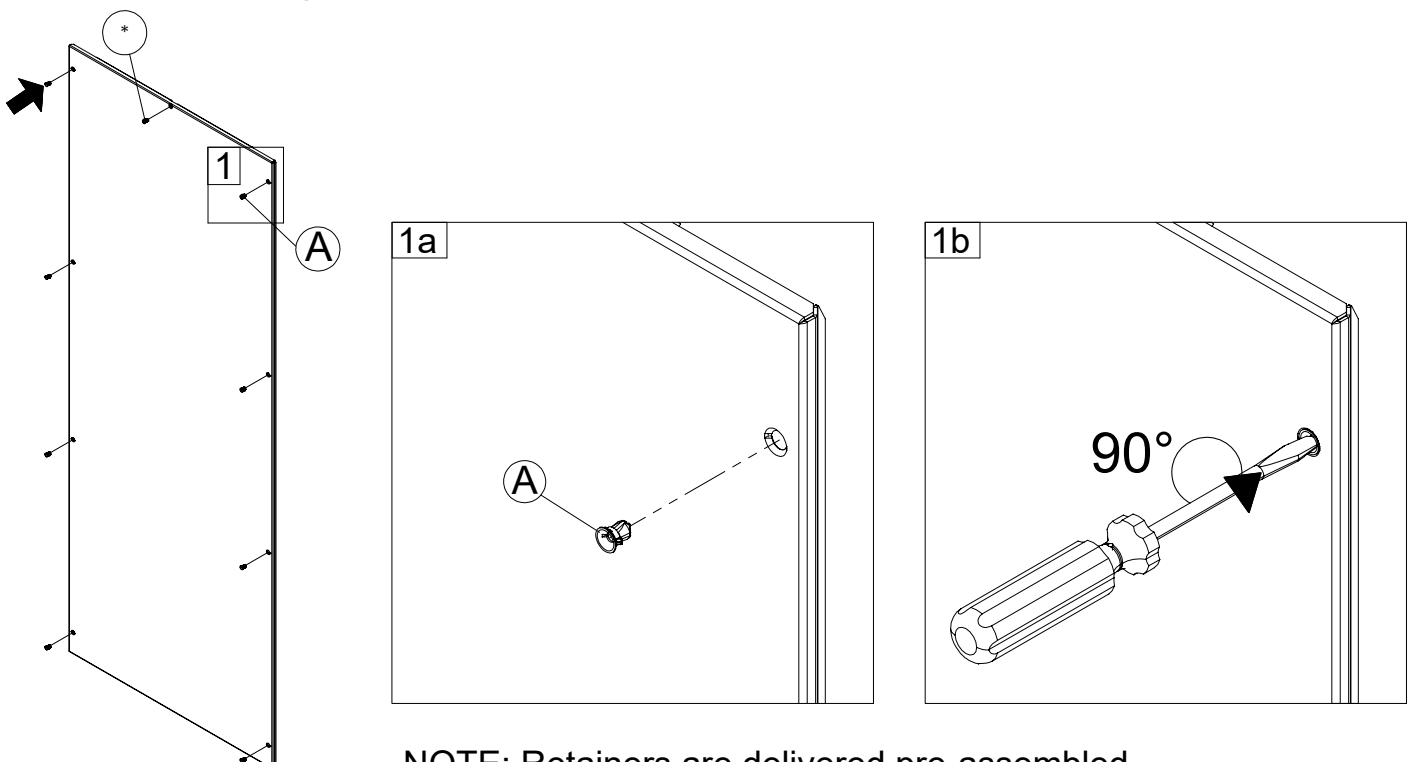
Ref.	Pic.	Qty.
A		6/8/9
B		6/8/9
C		2

Side panel mounting






* - Used only on enclosures 800 mm deep and above.

Retainer mounting

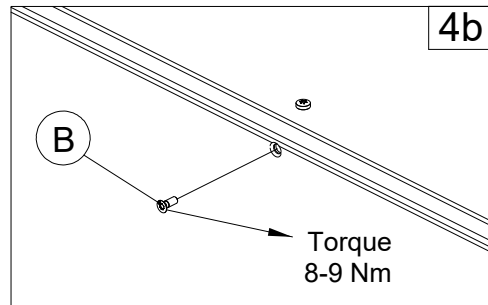
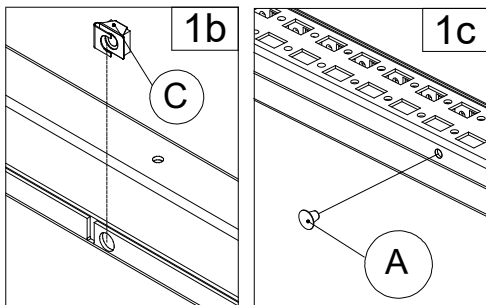
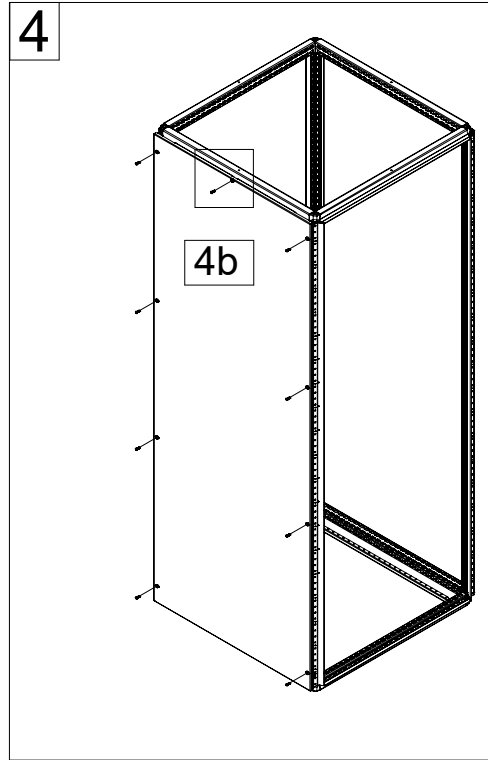
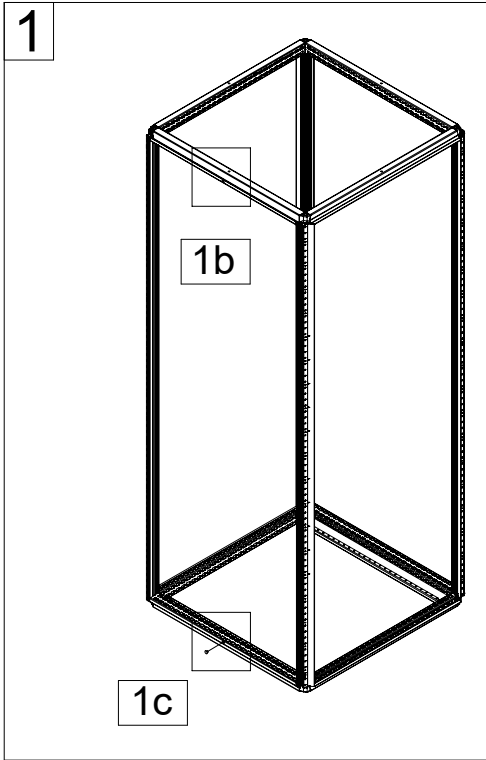


NOTE: Retainers are delivered pre-assembled.

SPM

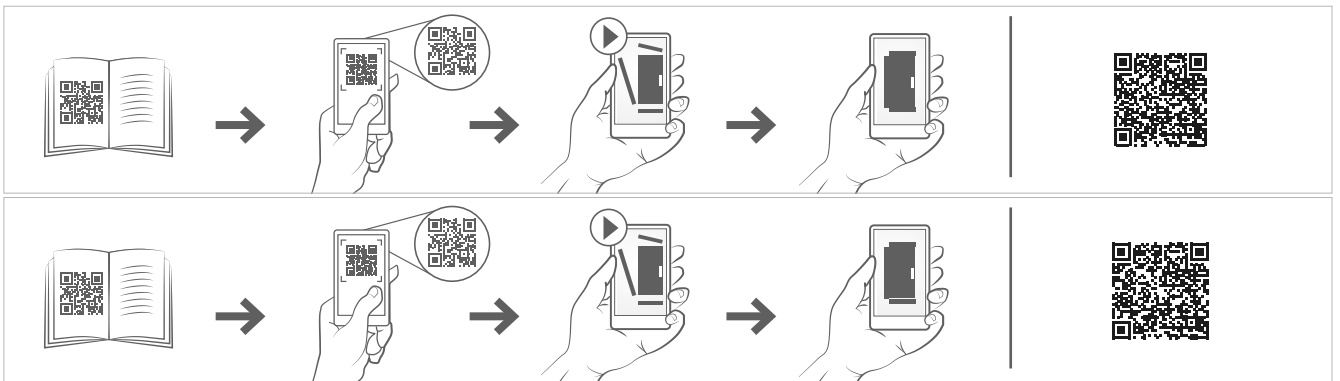
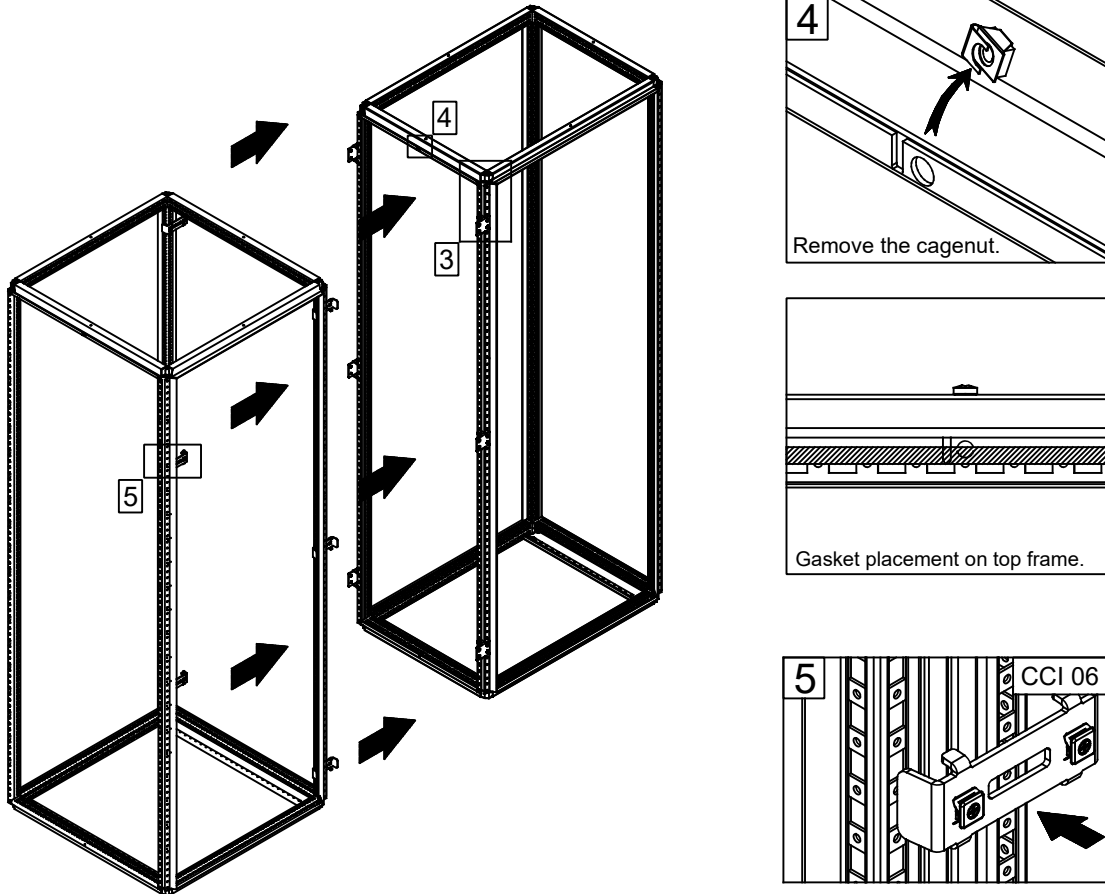
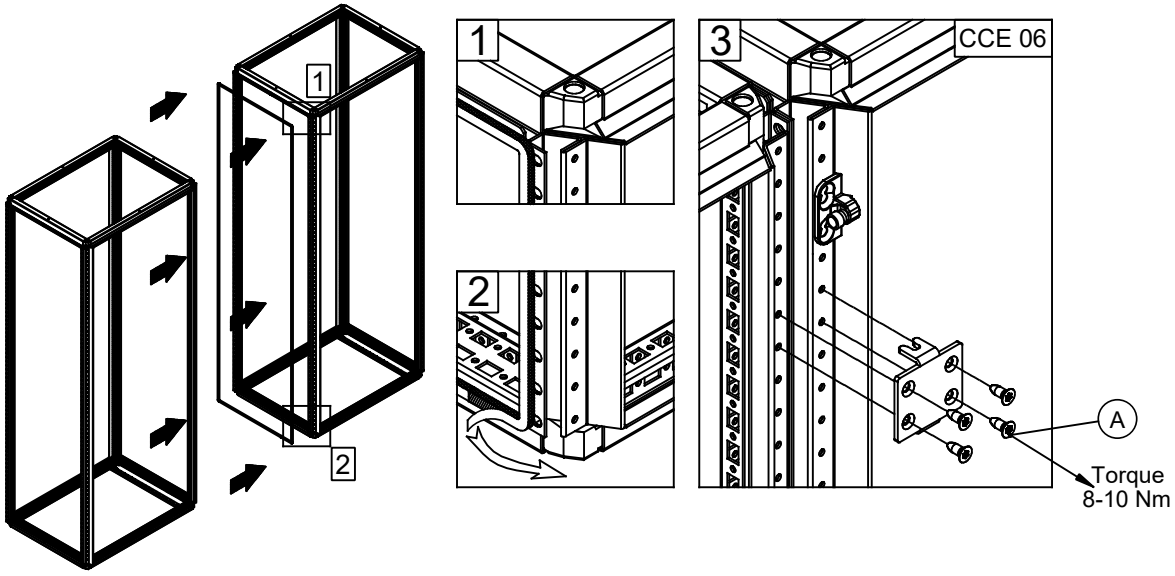
Ref.	Pic.	Qty.
A		1
B	 M6x16	1
C		1

For the old design frame (800 mm in depth or more), the following additional steps are required:



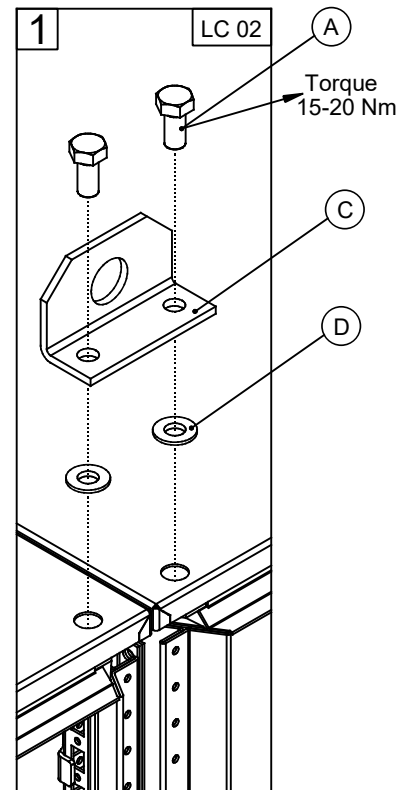
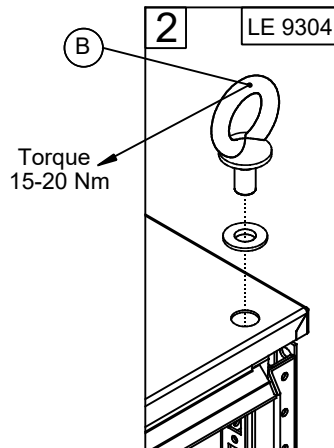
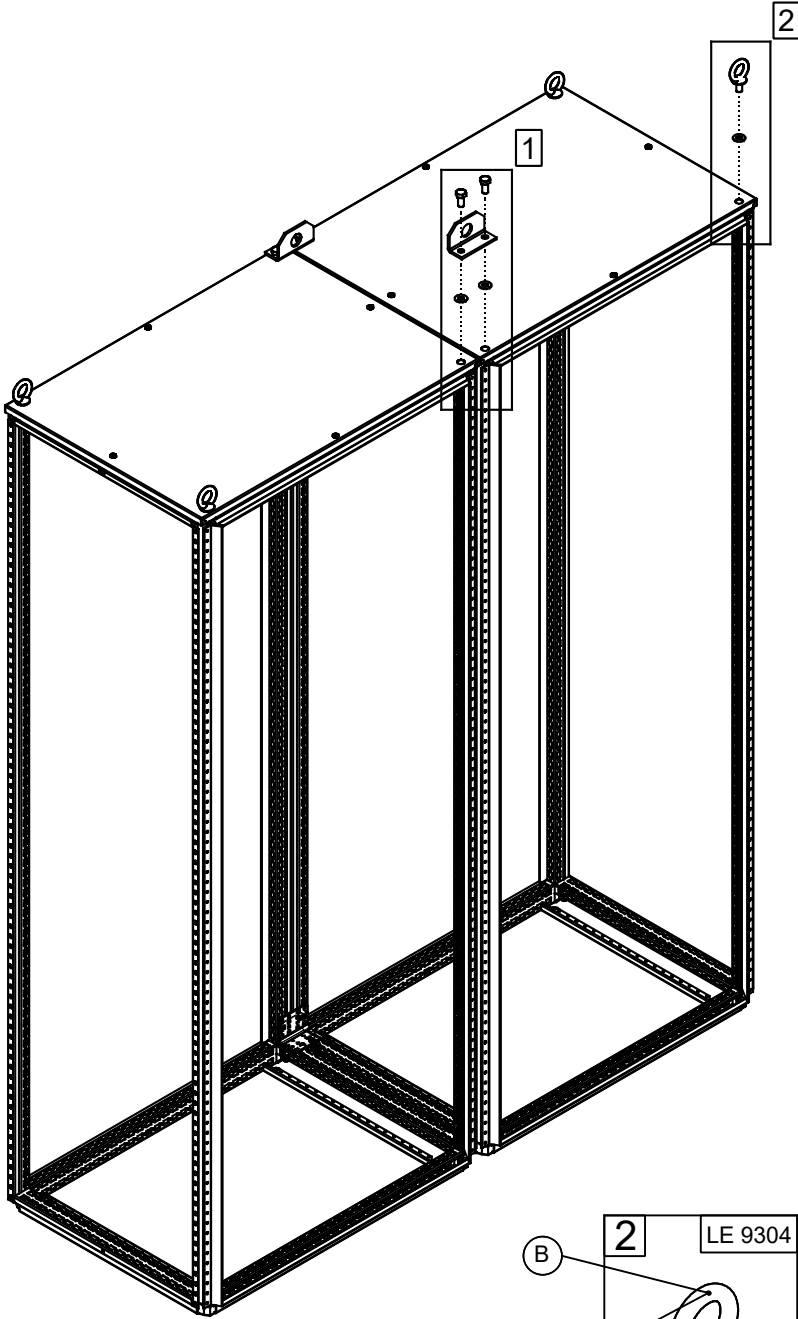


Ref.	Pic.	Qty.
A		8
B		6
C		12
D		6





Ref.	Pic.	Qty.
A		4
B		4
C		2
D		4

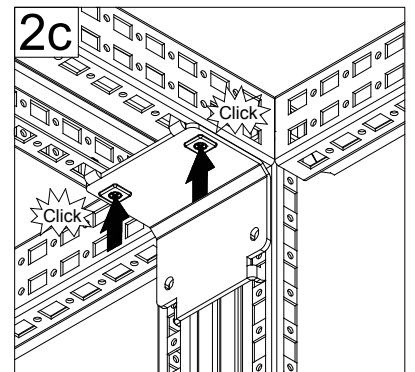
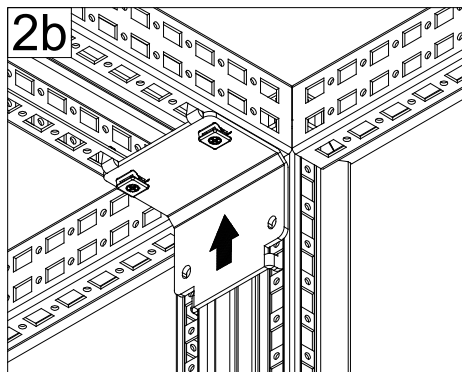
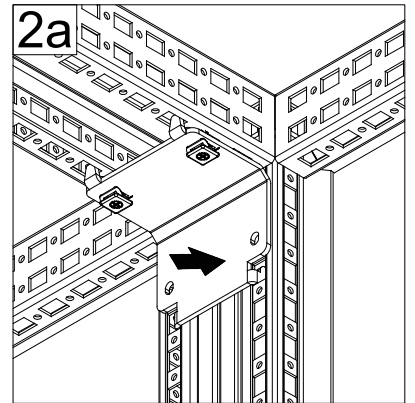
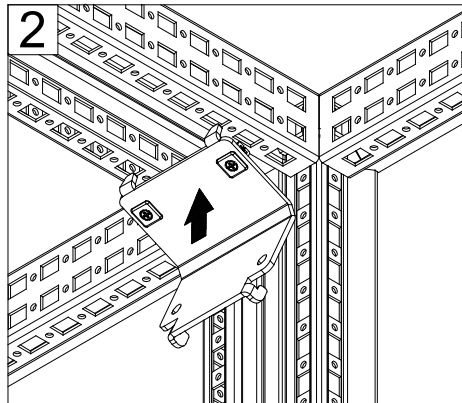
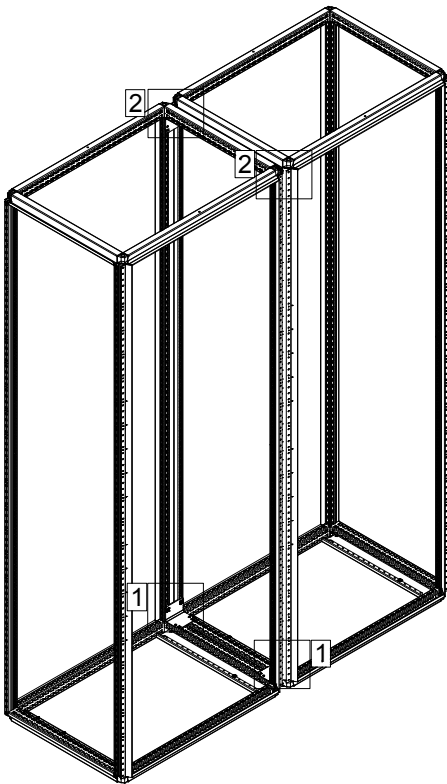
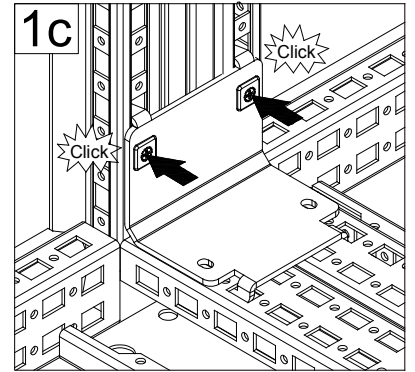
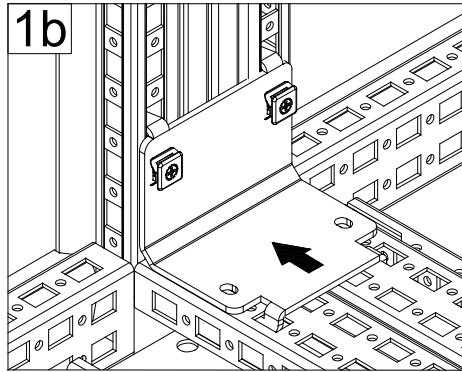
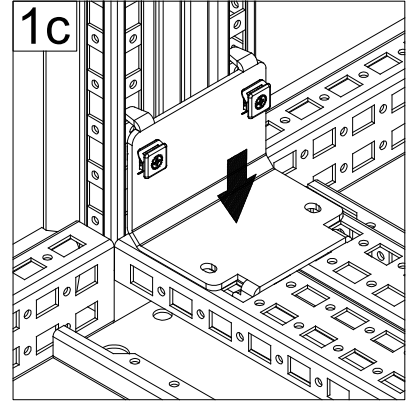
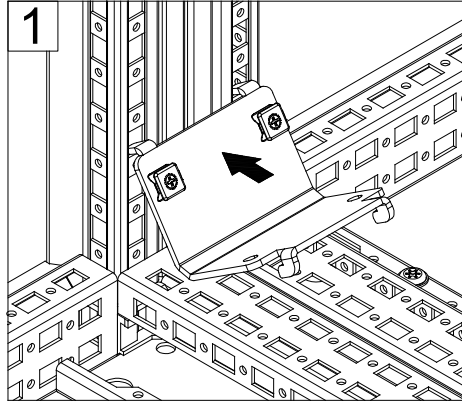
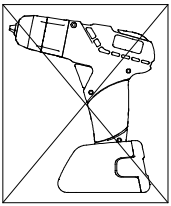
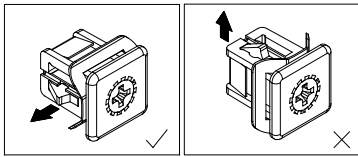
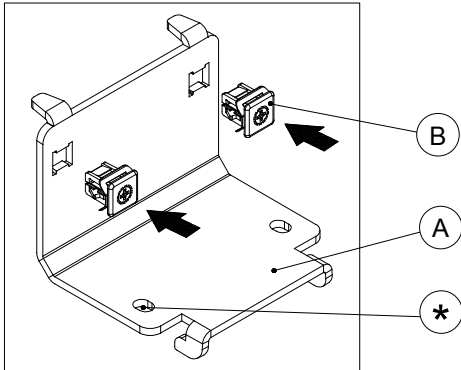




CCM 04

Ref.	Pic.	Qty.
A		4
B		8

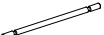



MOUNTING

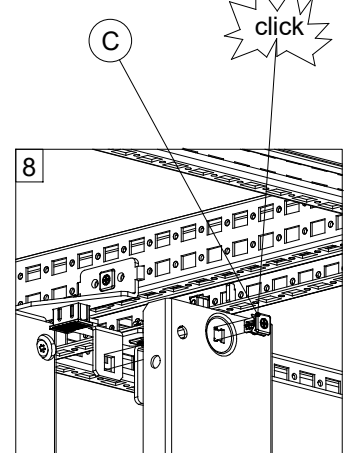
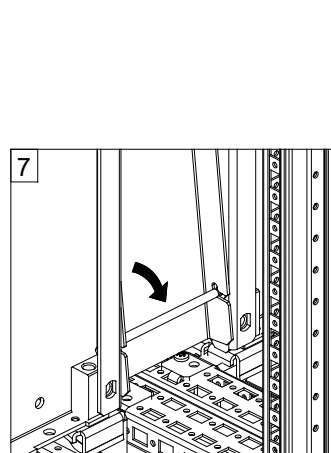
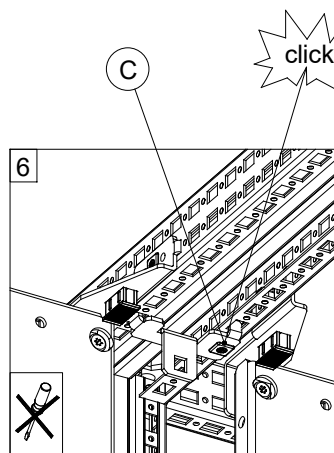
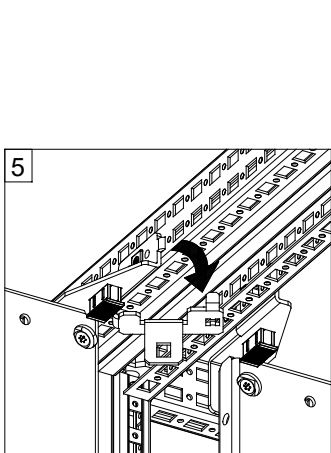
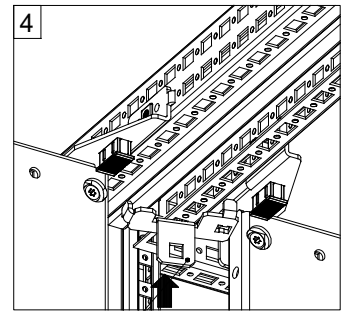
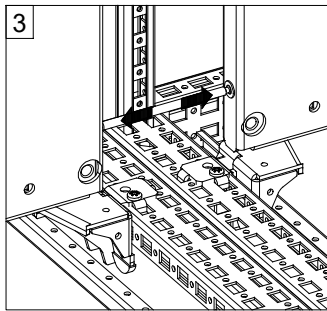
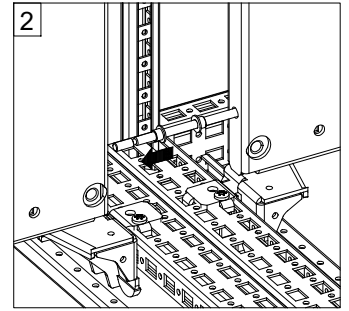
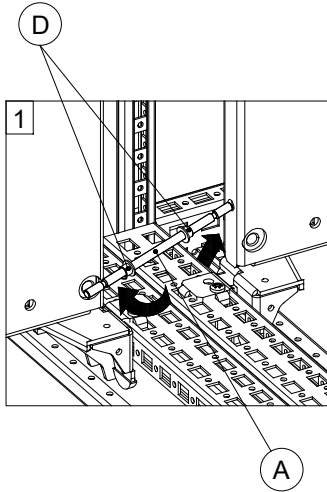
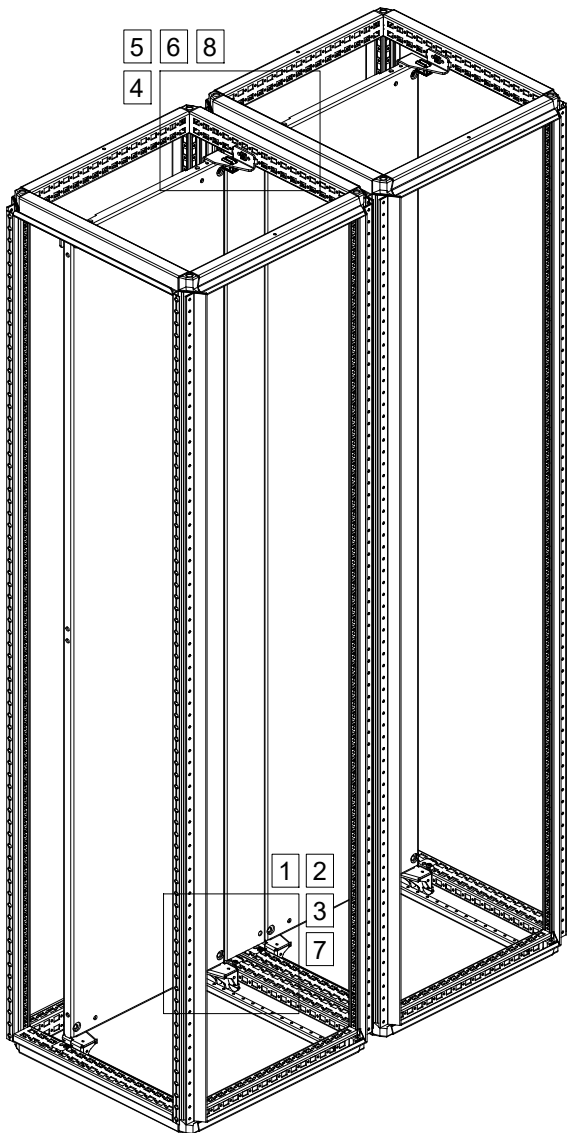


Note: It is mandatory for all four brackets to be installed at all four corners !

* The fixation holes can be used to better fix the bracket to the frame, using cage nuts and screws !

MPF


Ref.	Pic.	Qty.
A		1
B		1
C		2
D		2

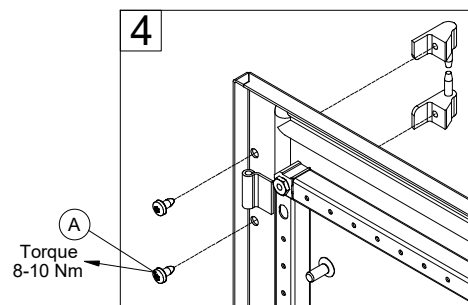
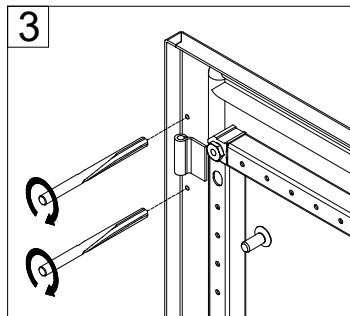
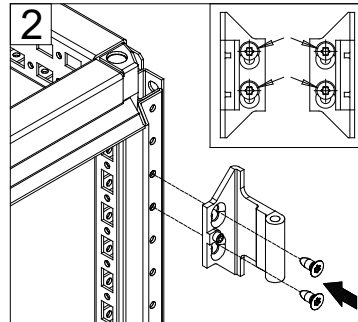
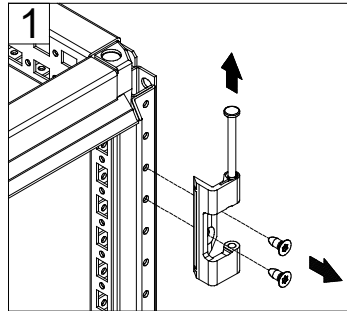
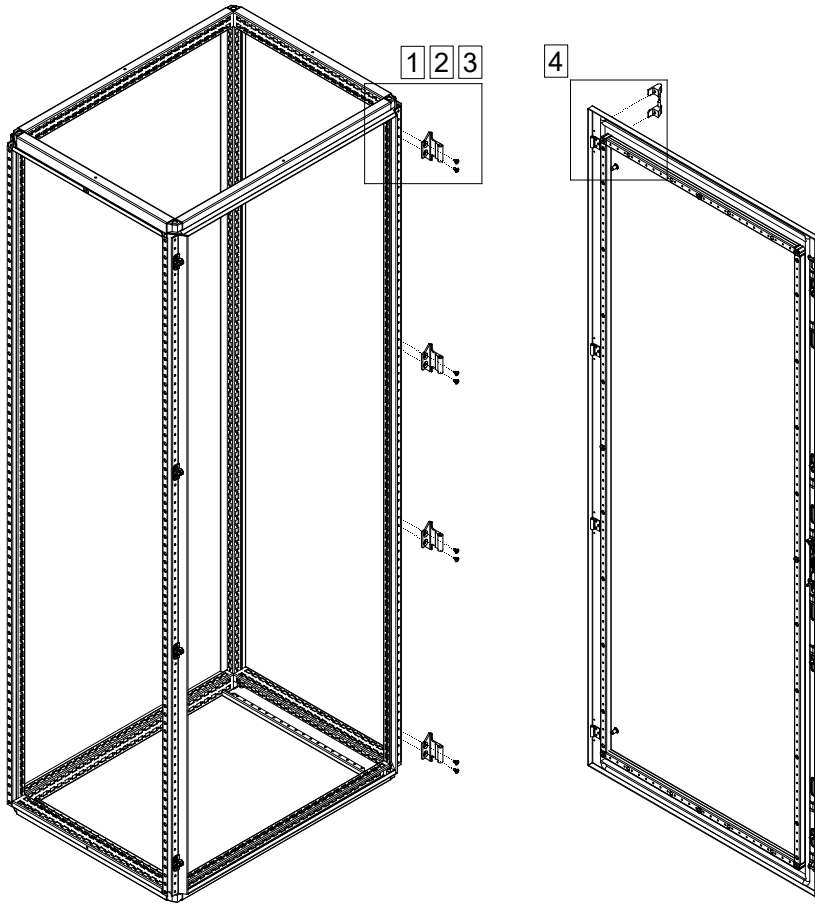
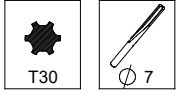


Back view



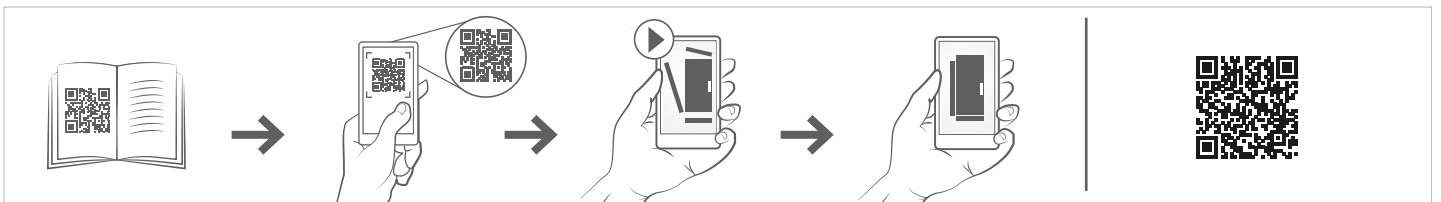
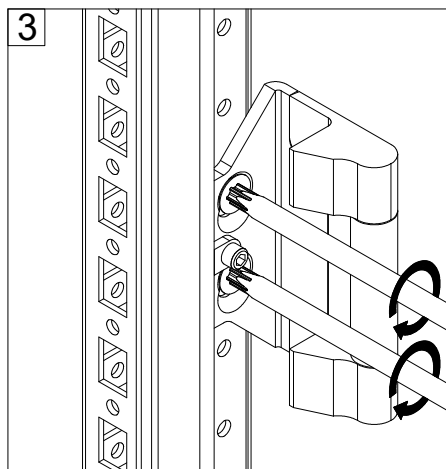
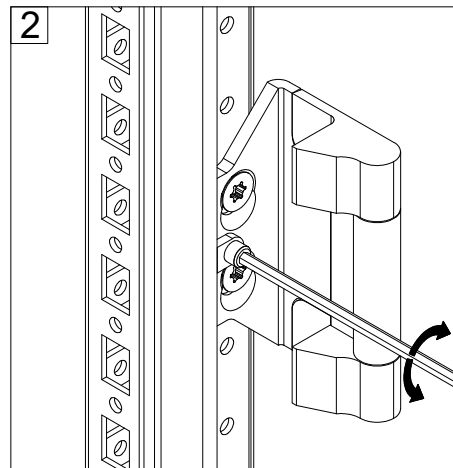
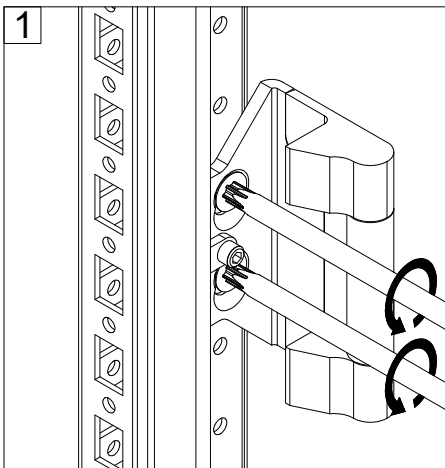
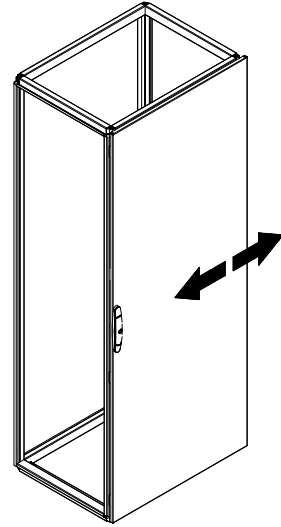
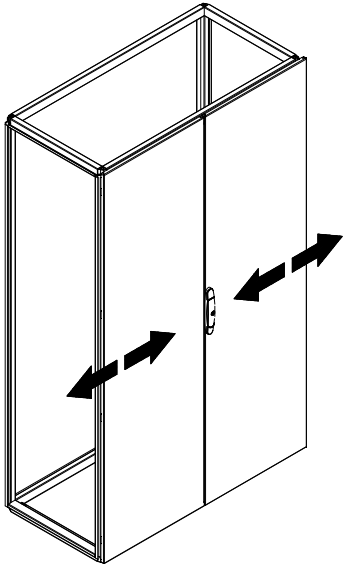
DHN 180

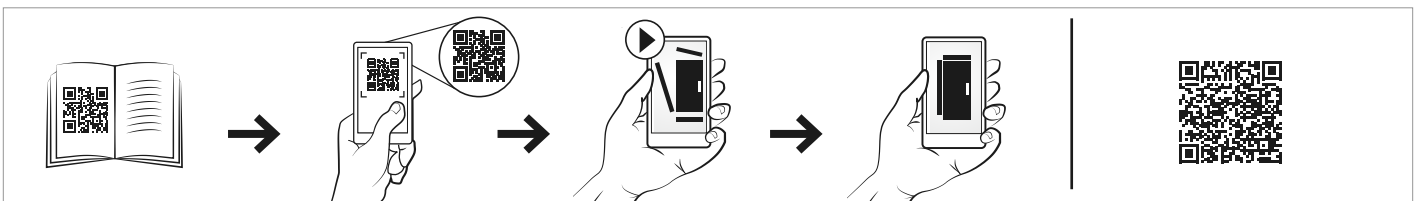
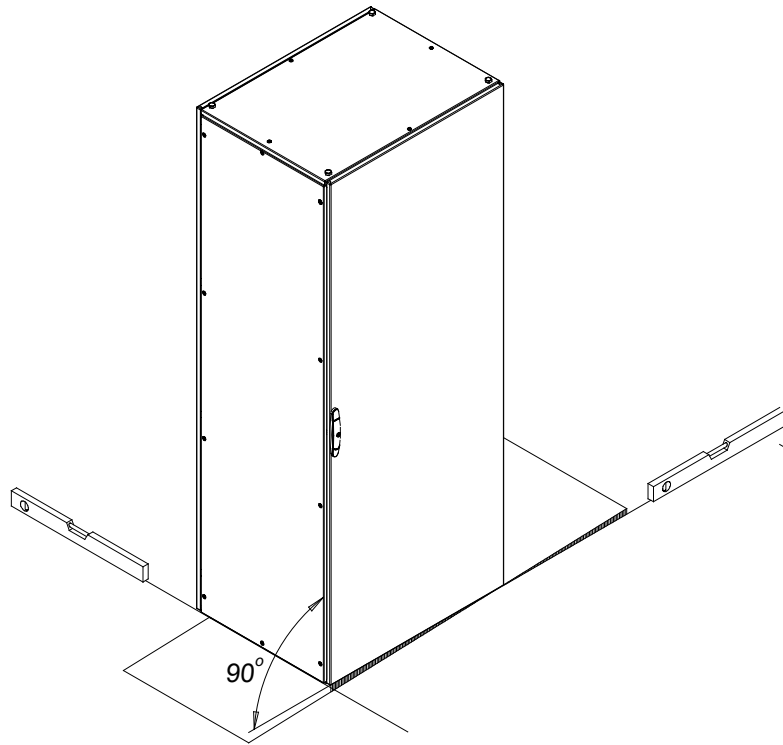
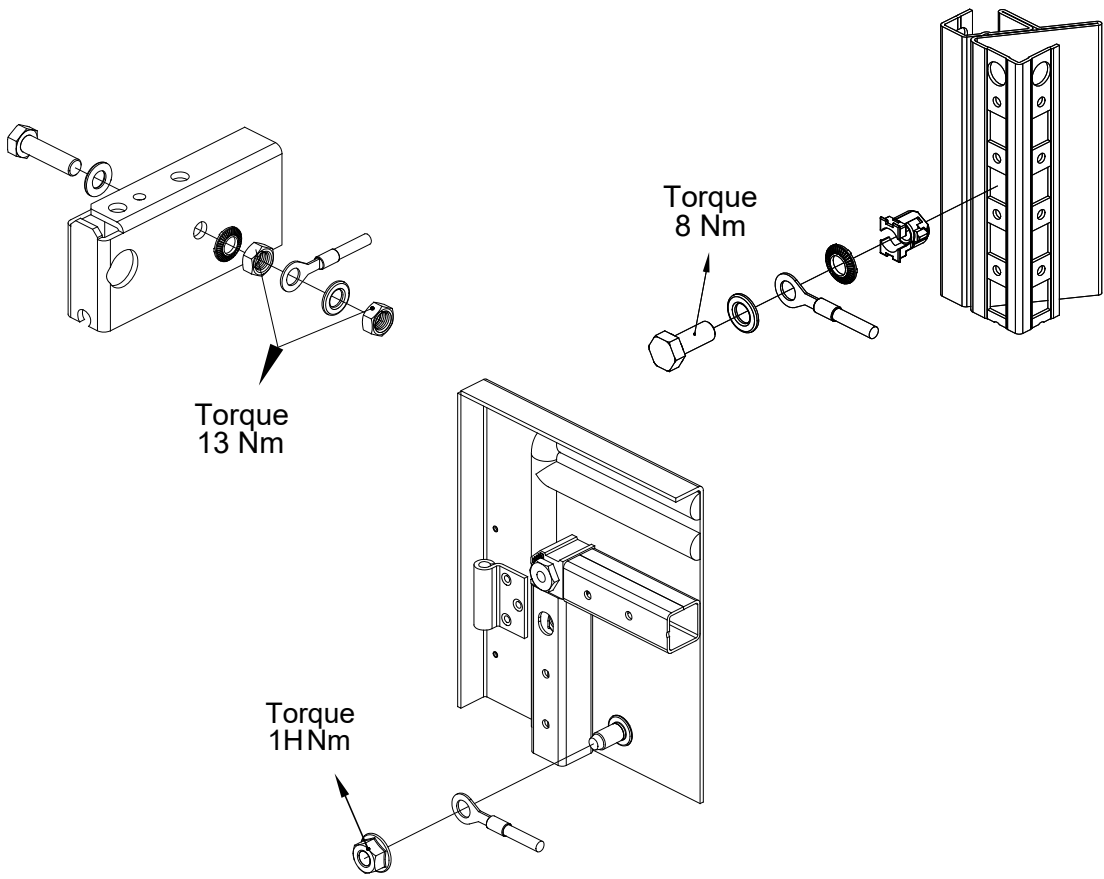
Ref.	Pic.	Qty.
A	 M6x12	8



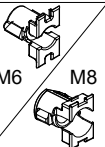


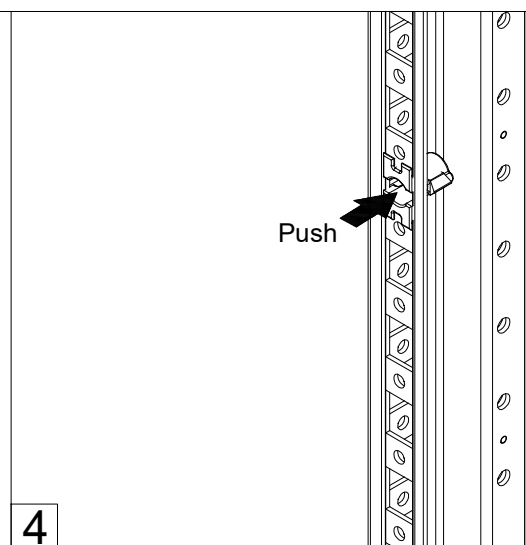
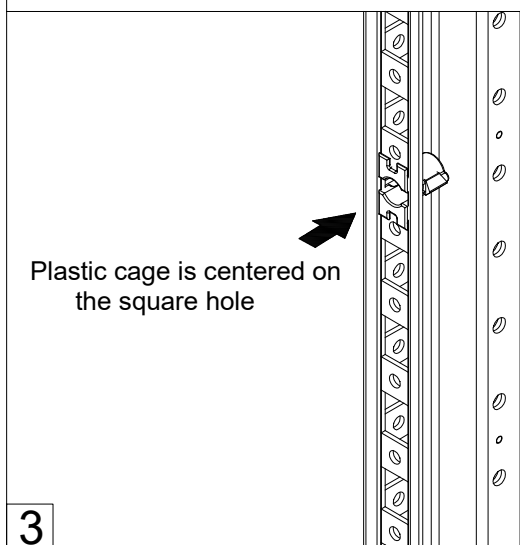
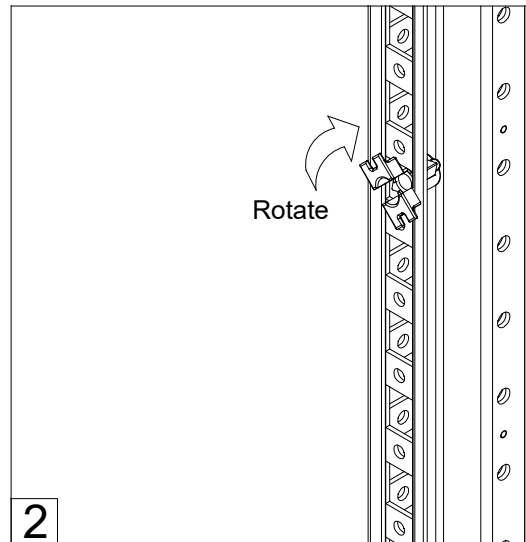
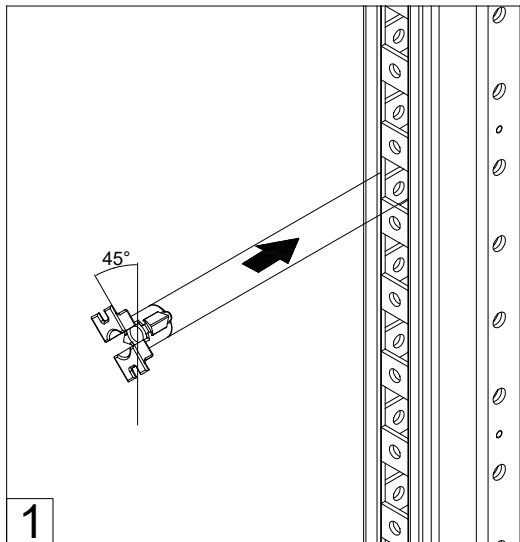
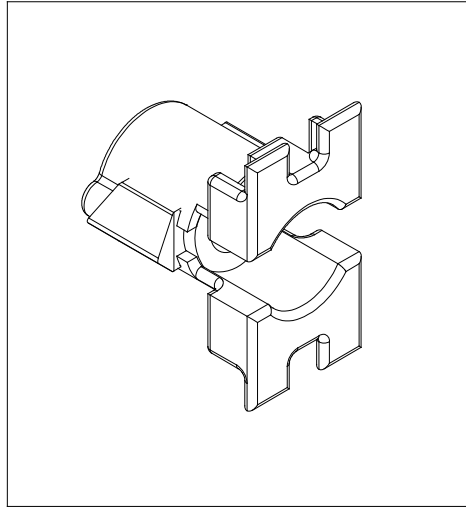
DHN 180 DOOR ADJUSTMENT

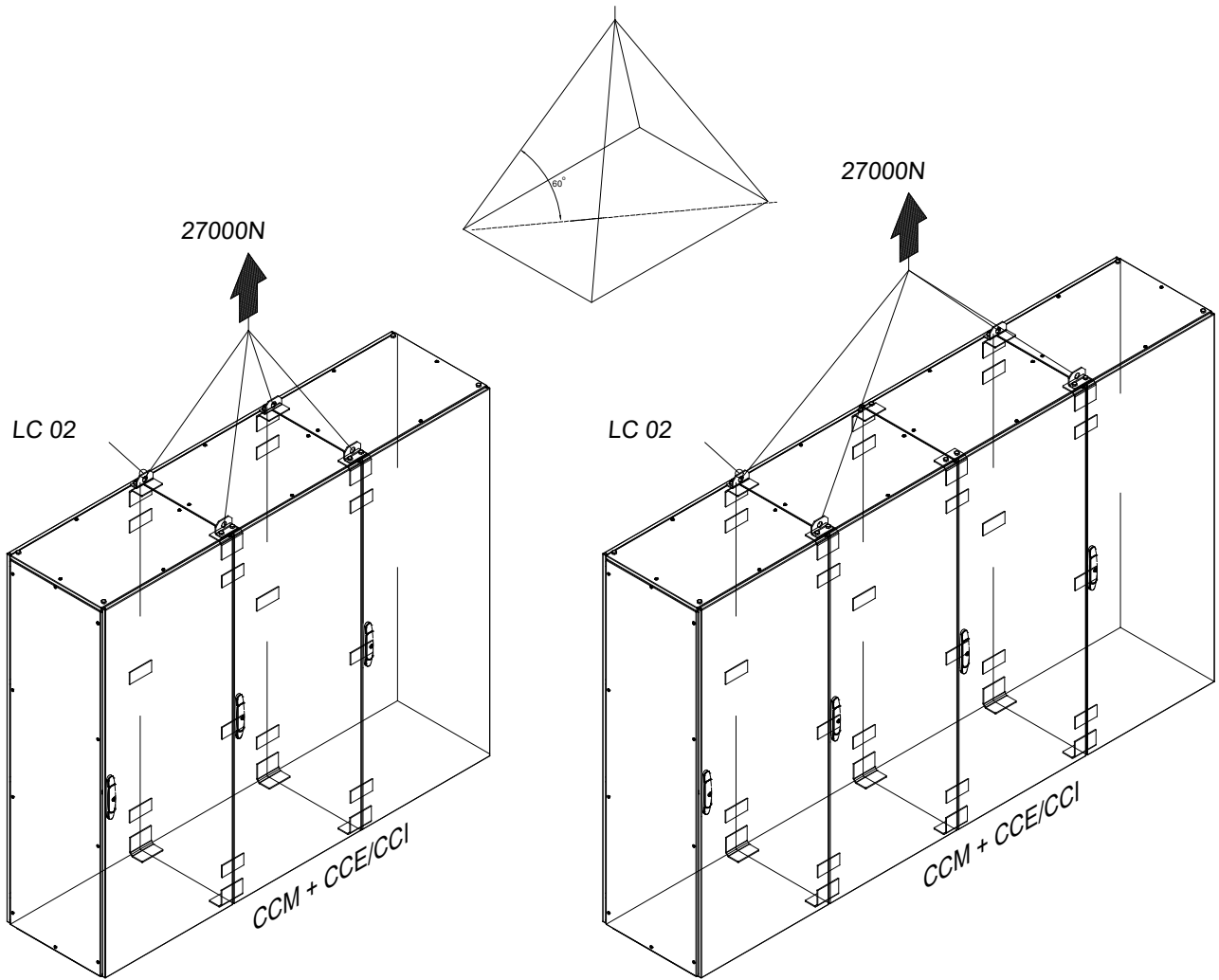
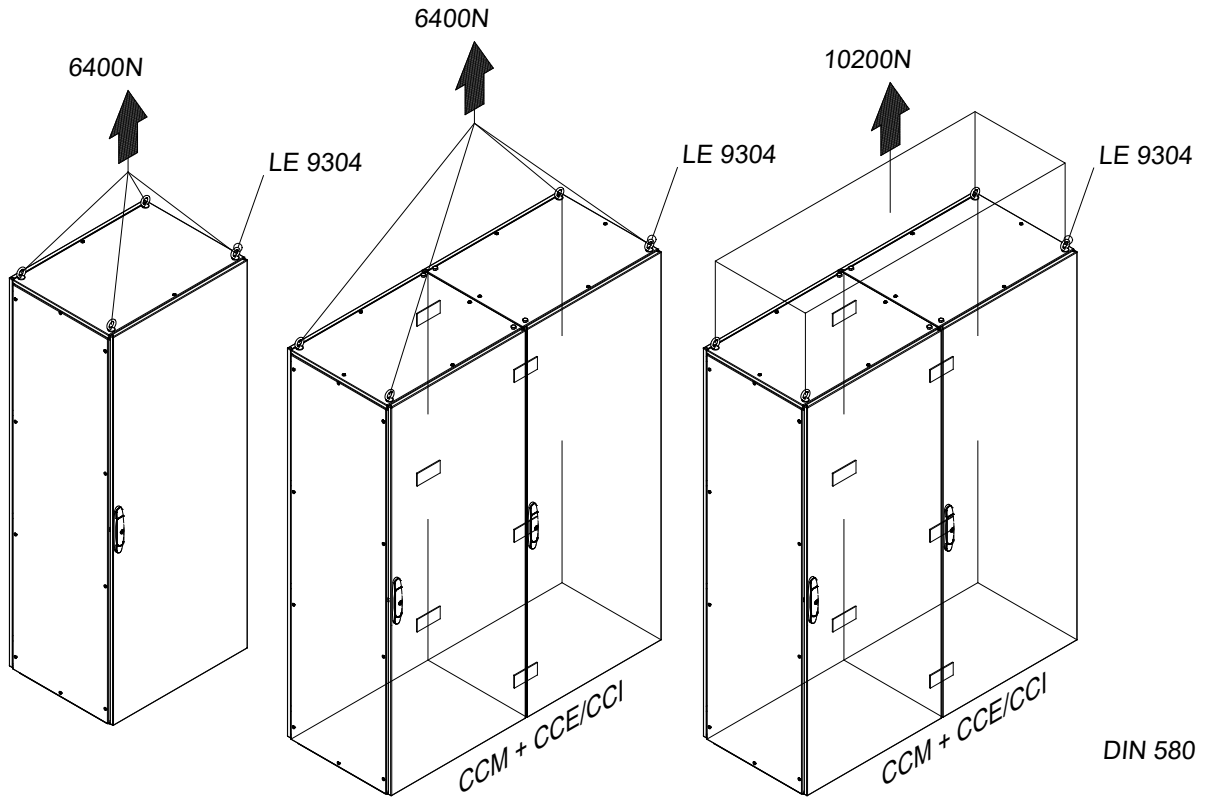




CNM

Ref.	Pic.	Qty.
A		1







MCM

Mousepad RH into LH

