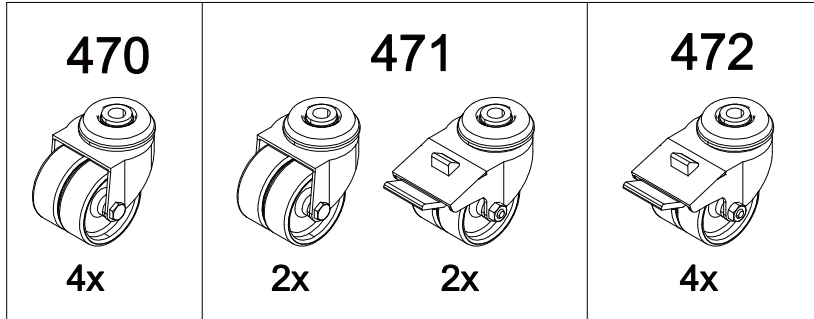


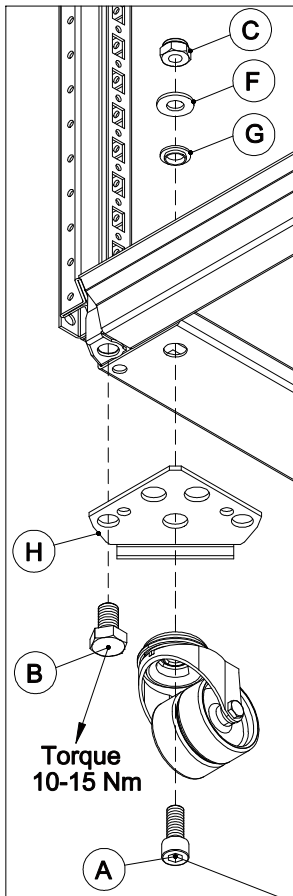


# LCR

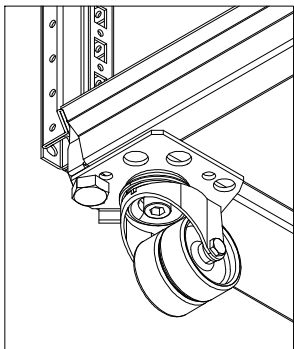
Ref.	Pic.	Qty.
A	M10x25	4
B	M12x20	4
C	M10	4
D	M12	4
E	A12.5	4
F	$\varnothing$ 22	4
G	$\varnothing$ 19	4
H		4



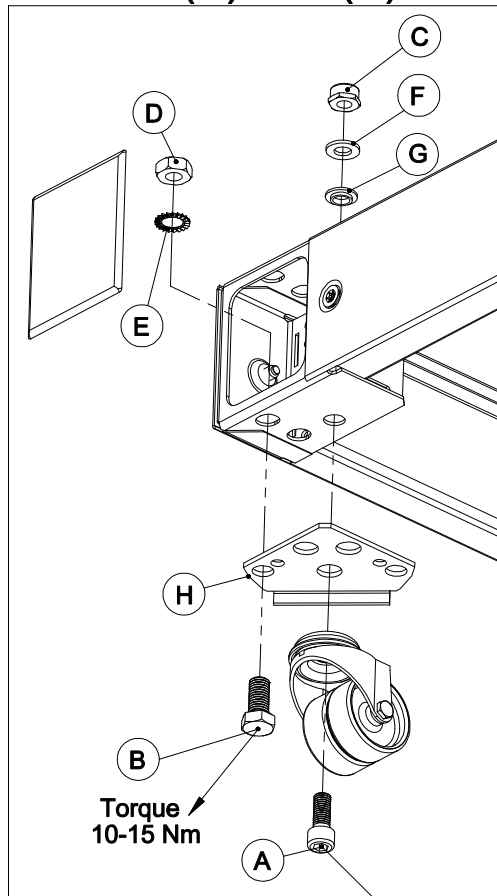
## MF



Torque 10-15 Nm



## PF(E) / PV(E)



Torque 10-15 Nm

