

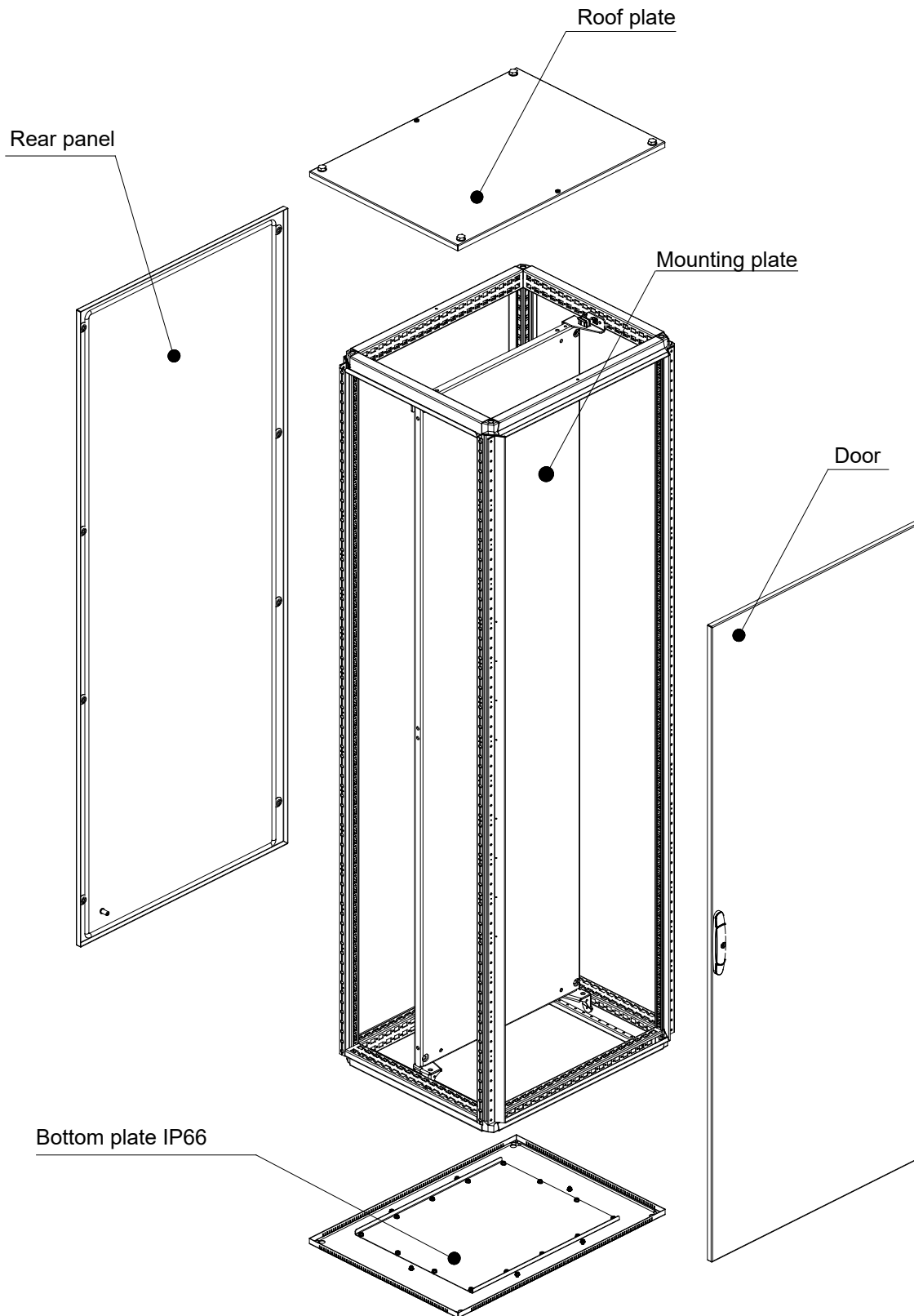
# Floor standing enclosures

## Combinable enclosure, high protection IP66

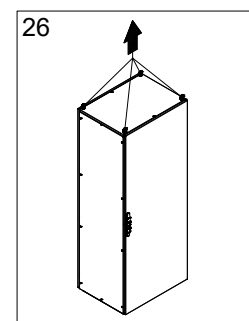
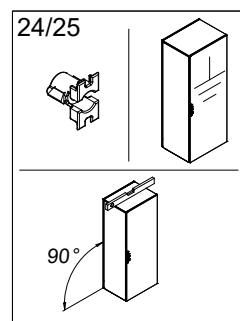
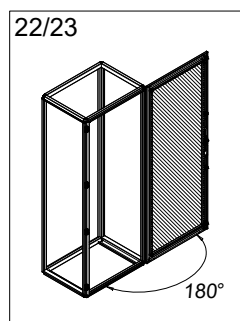
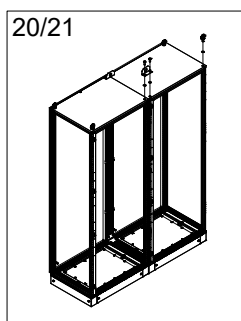
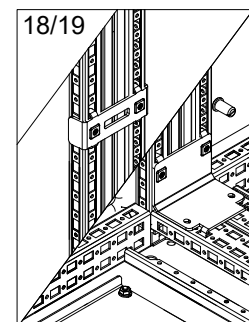
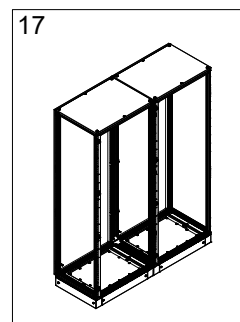
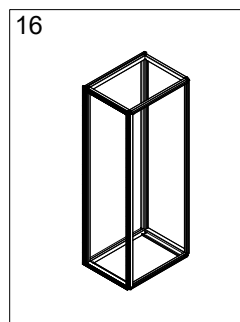
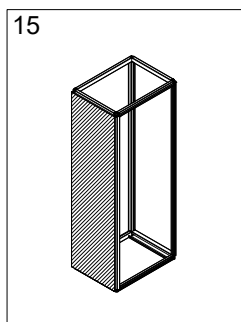
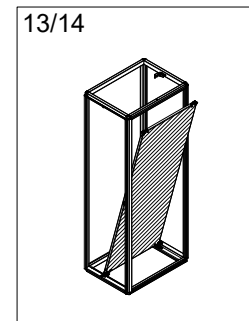
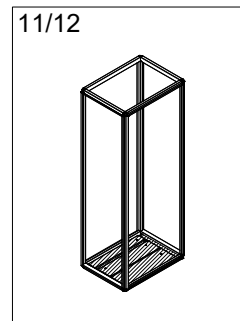
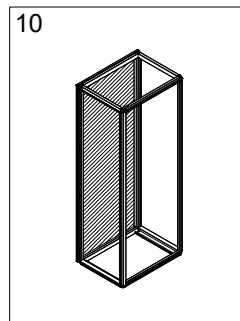
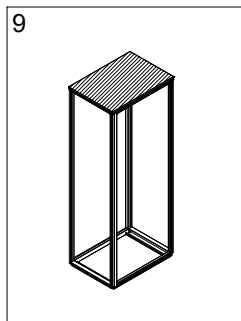
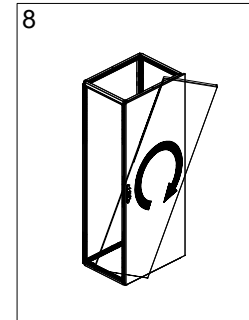
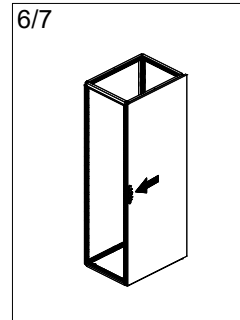
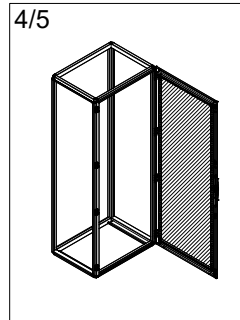
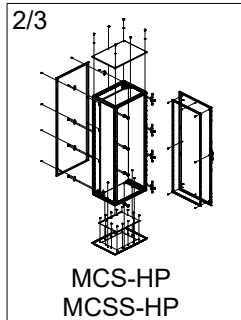
### MOUNTING INSTRUCTIONS

7697-0302-01 REV.4





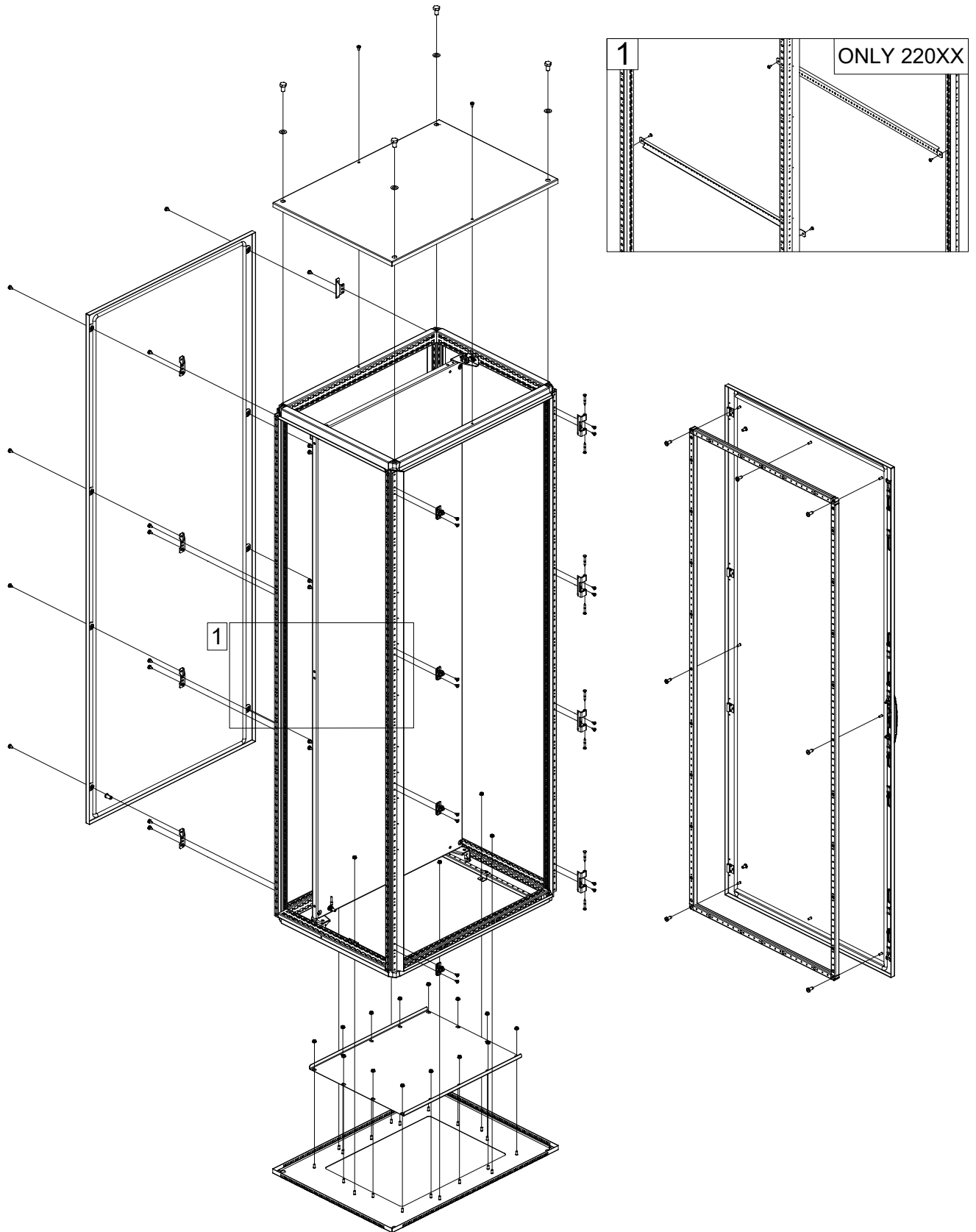




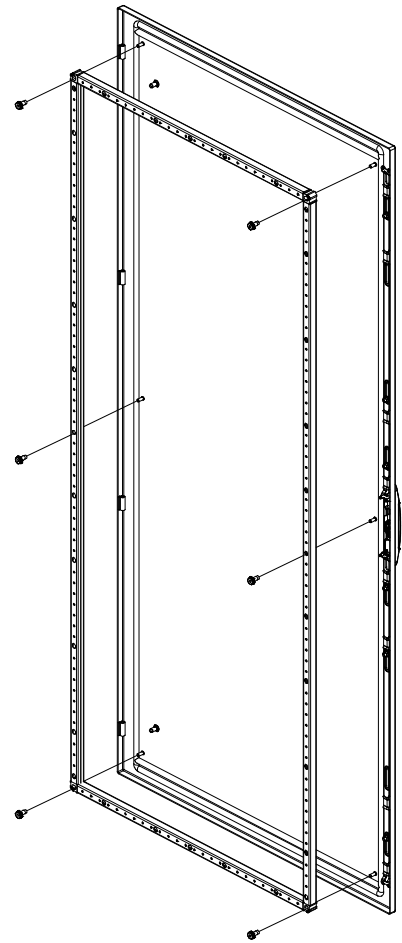
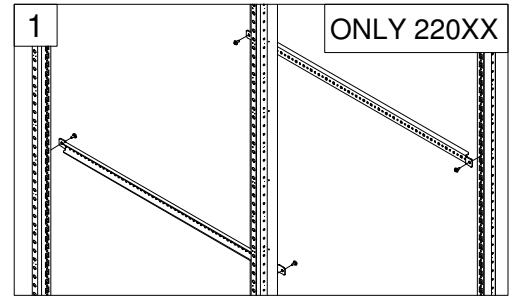
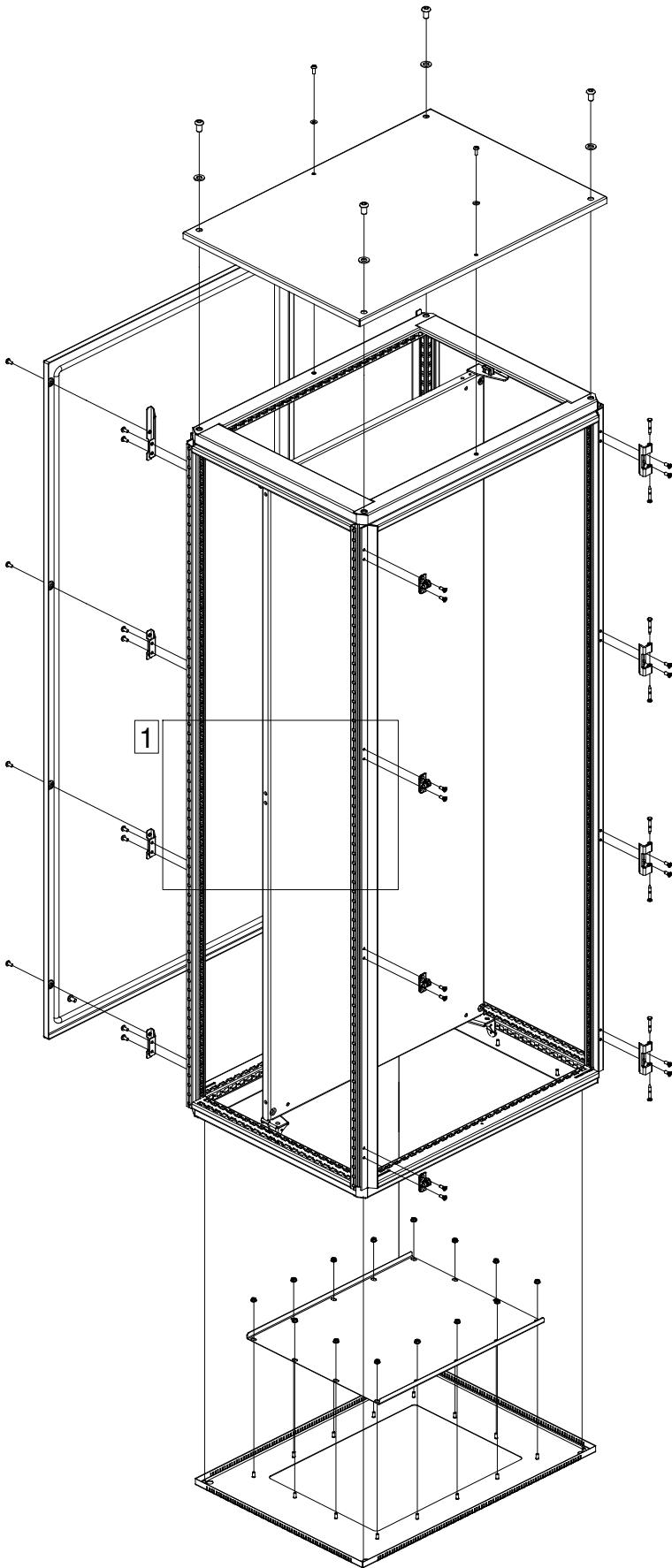
**WARNING:** When mounting on or over a combustible surface, a floor plate of at least 1.43 mm galvanized or 1.6 mm uncoated steel extended at least 150 mm beyond the equipment on all sides must be installed.

**WARNING:** In order to maintain the environmental integrity of the enclosure, devices with the same environmental ratings shall be used to close openings in customized enclosure.

# MCS-HP



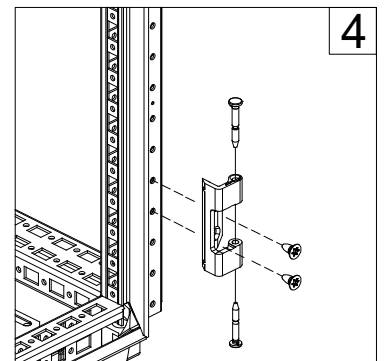
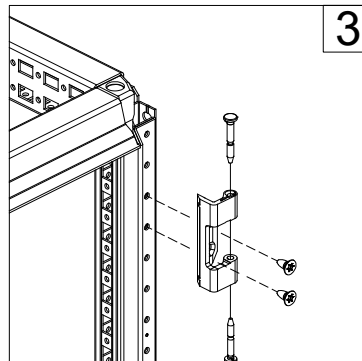
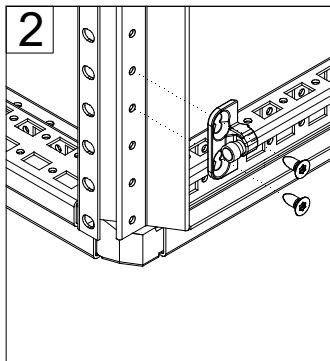
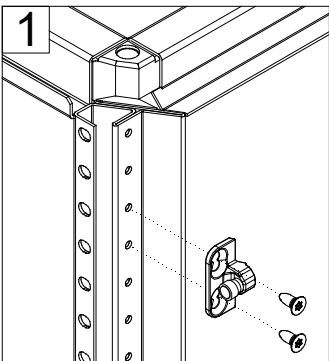
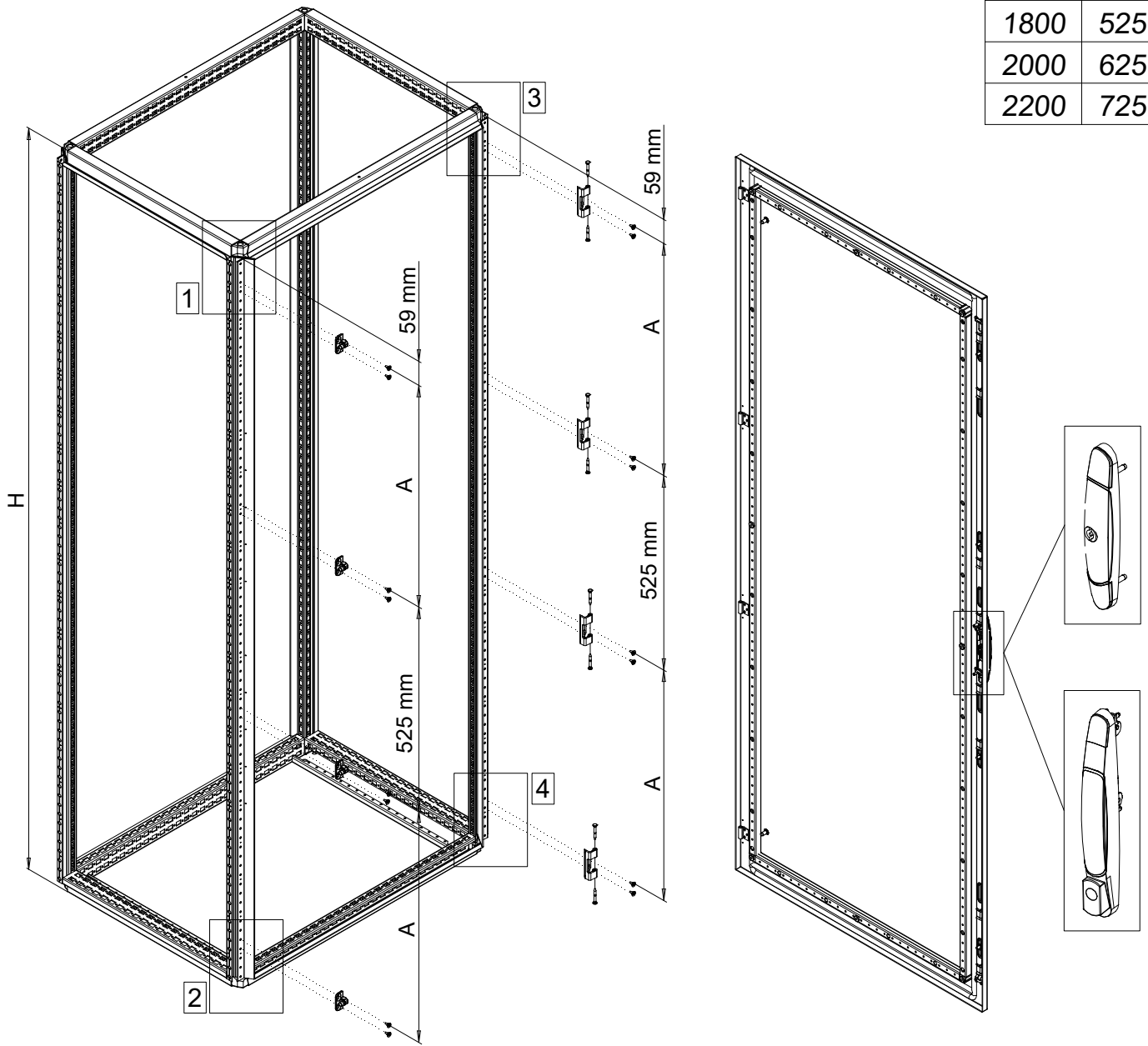
# MCSS-HP



# COMBINABLE ENCLOSURE

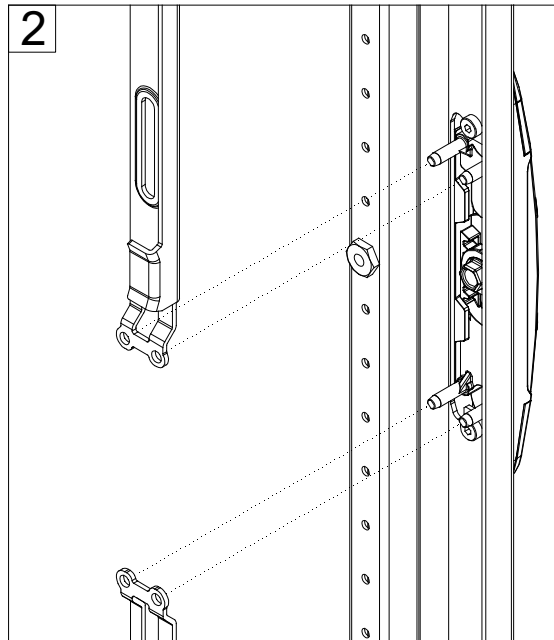
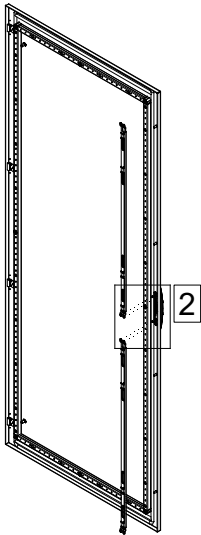
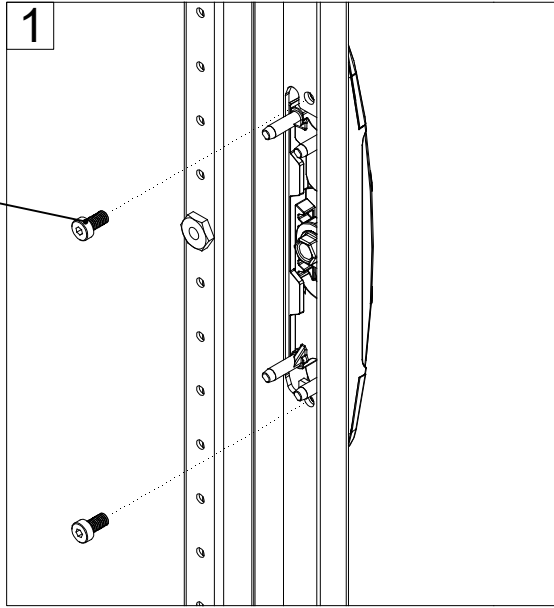
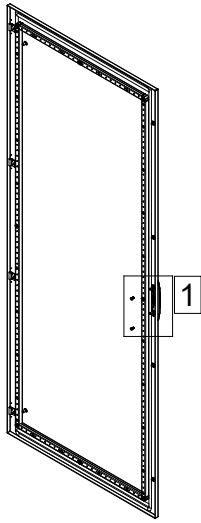


H	A
1100	175
1400	325
1600	425
1800	525
2000	625
2200	725

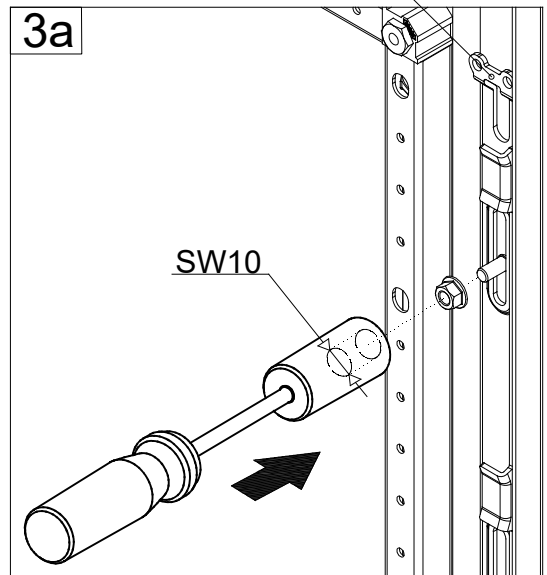
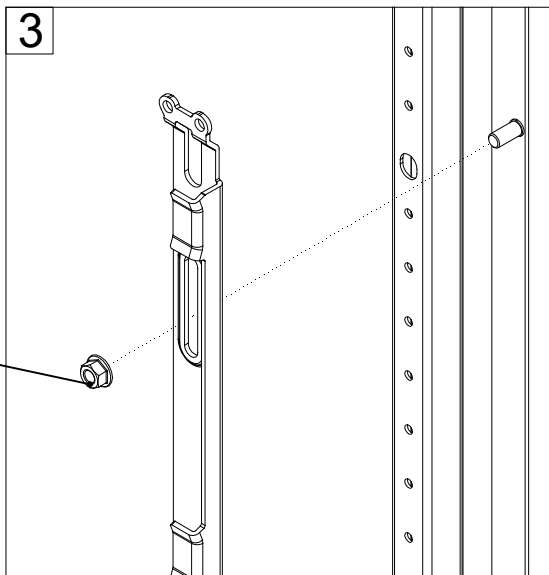
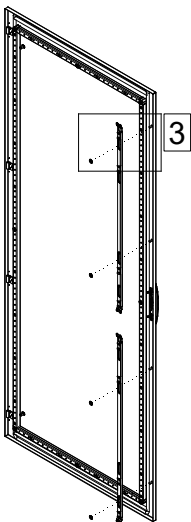




Ref.	Pic.	Qty.
A	M5x10	2
B	M5	4

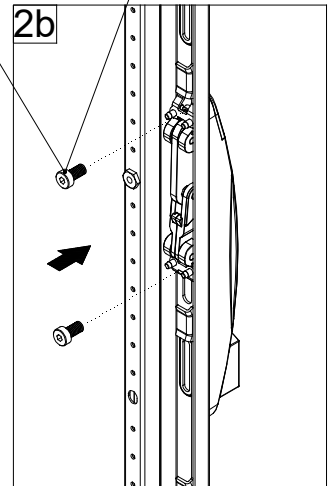
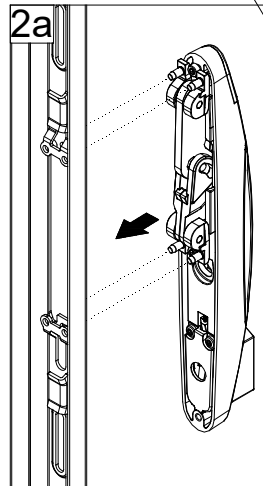
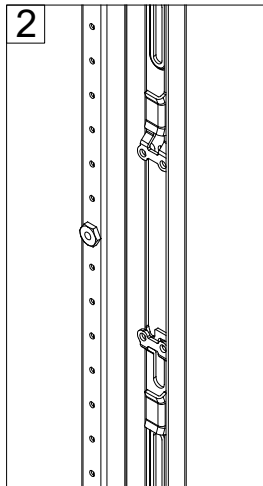
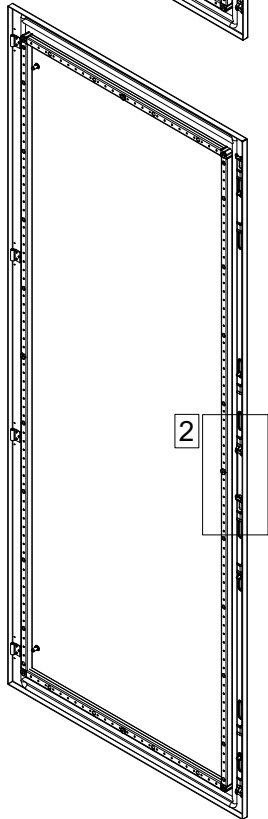
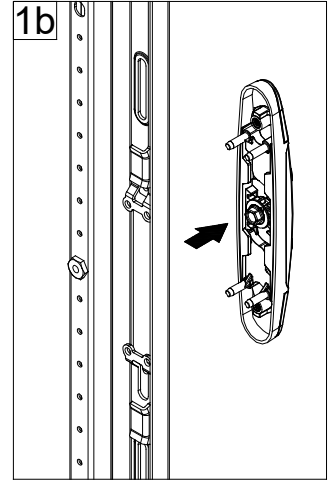
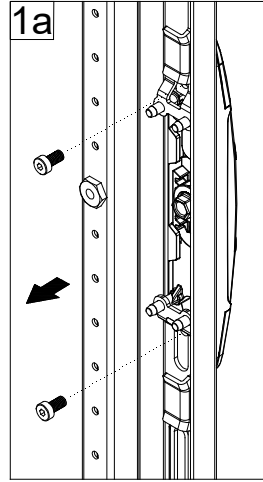
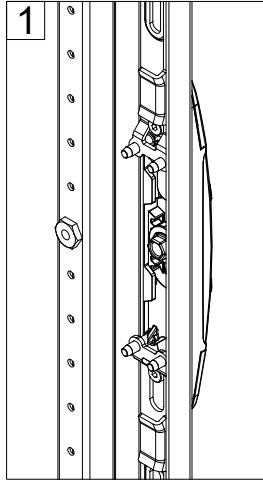
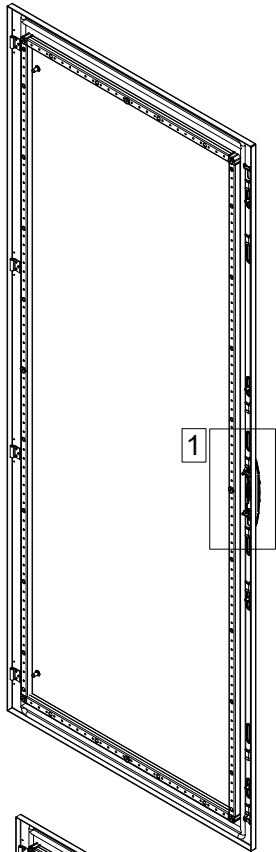


Metal Guider



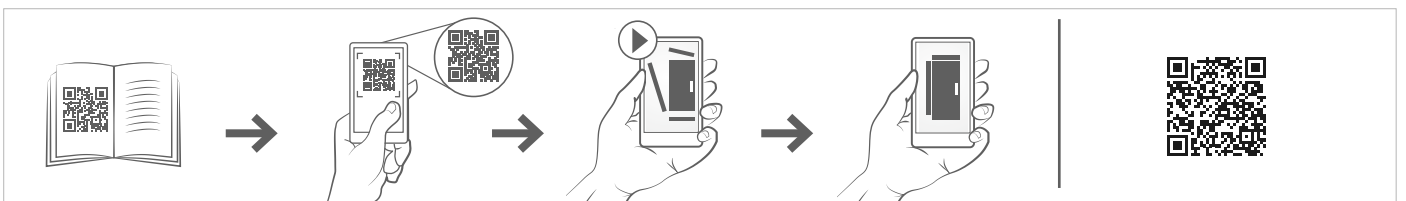


# MOUNTING THE LIFT HANDLE

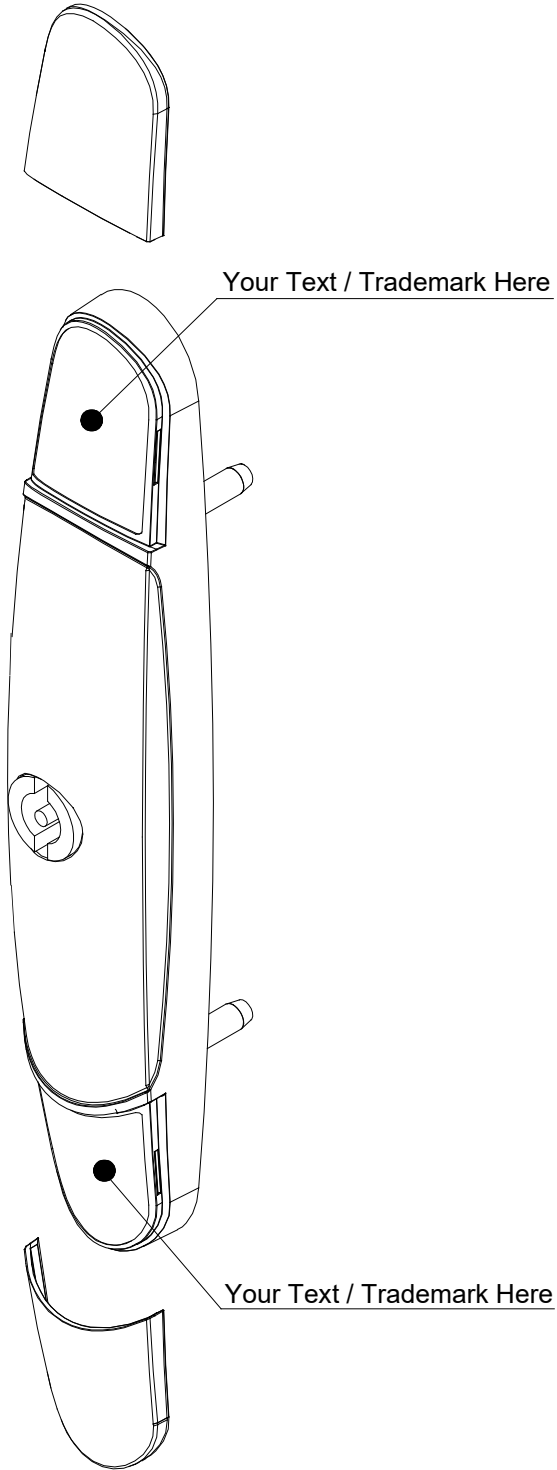


Torque  
4-5.5 Nm

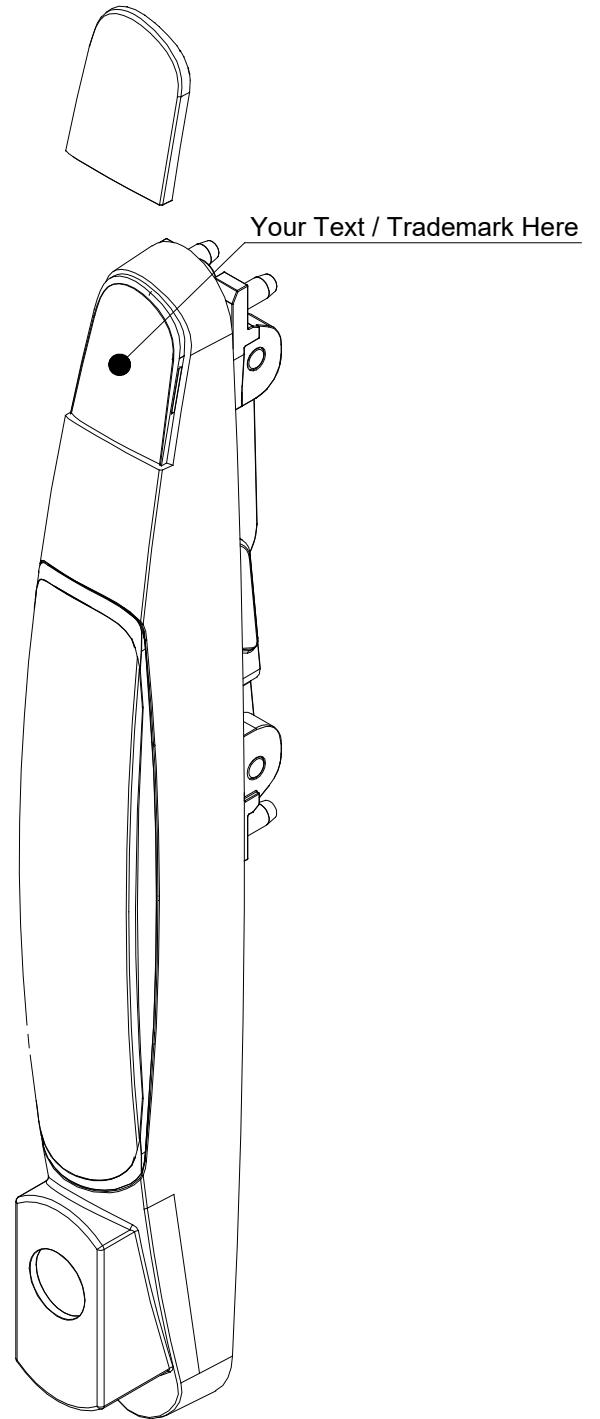
A

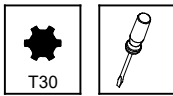


### Standard Locking System

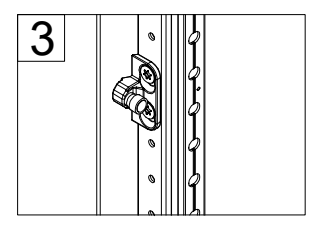
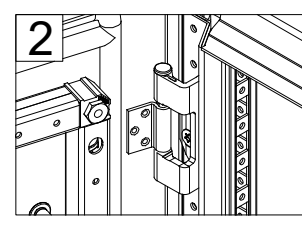
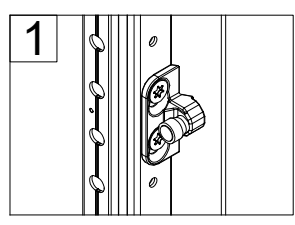
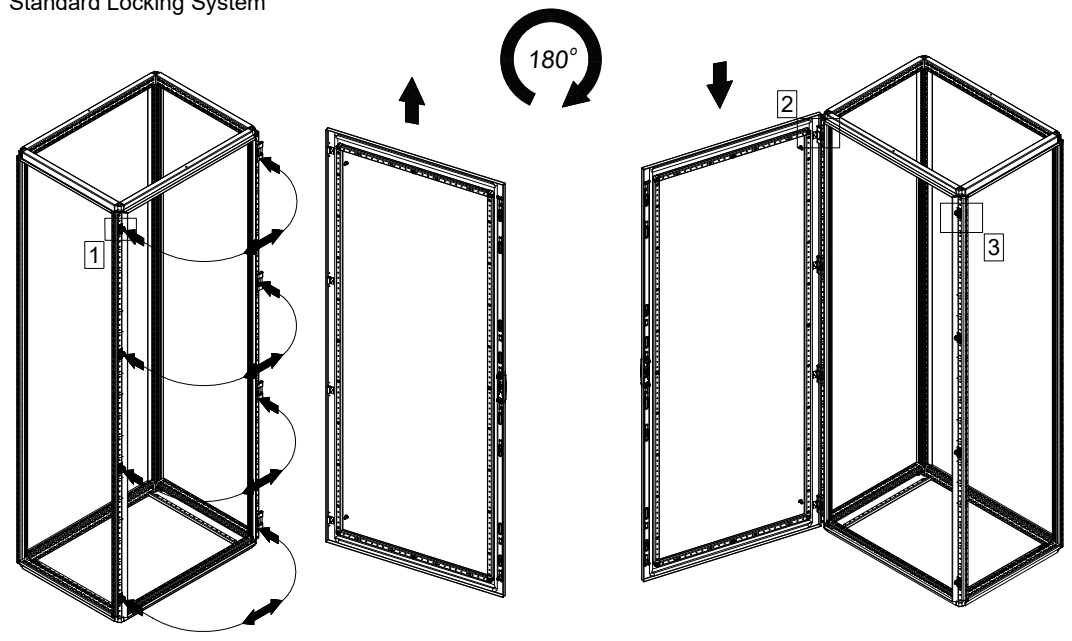


### Lift Handle Locking System

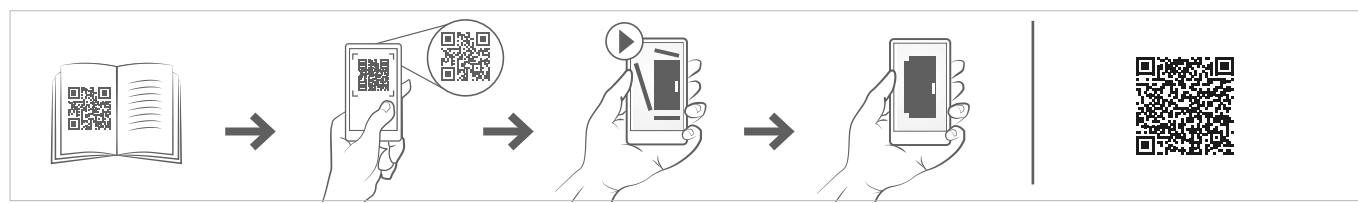
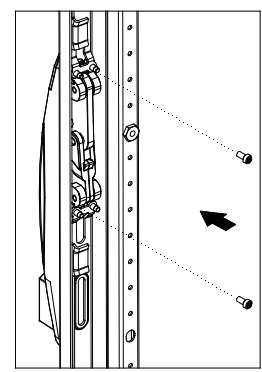
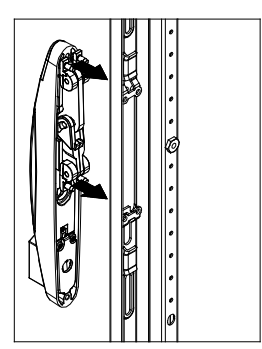
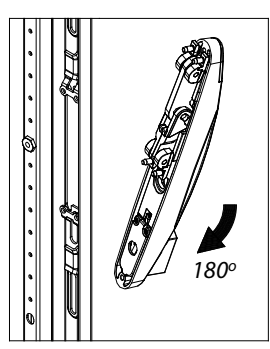
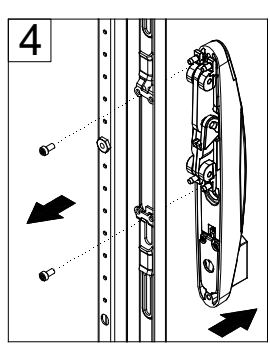
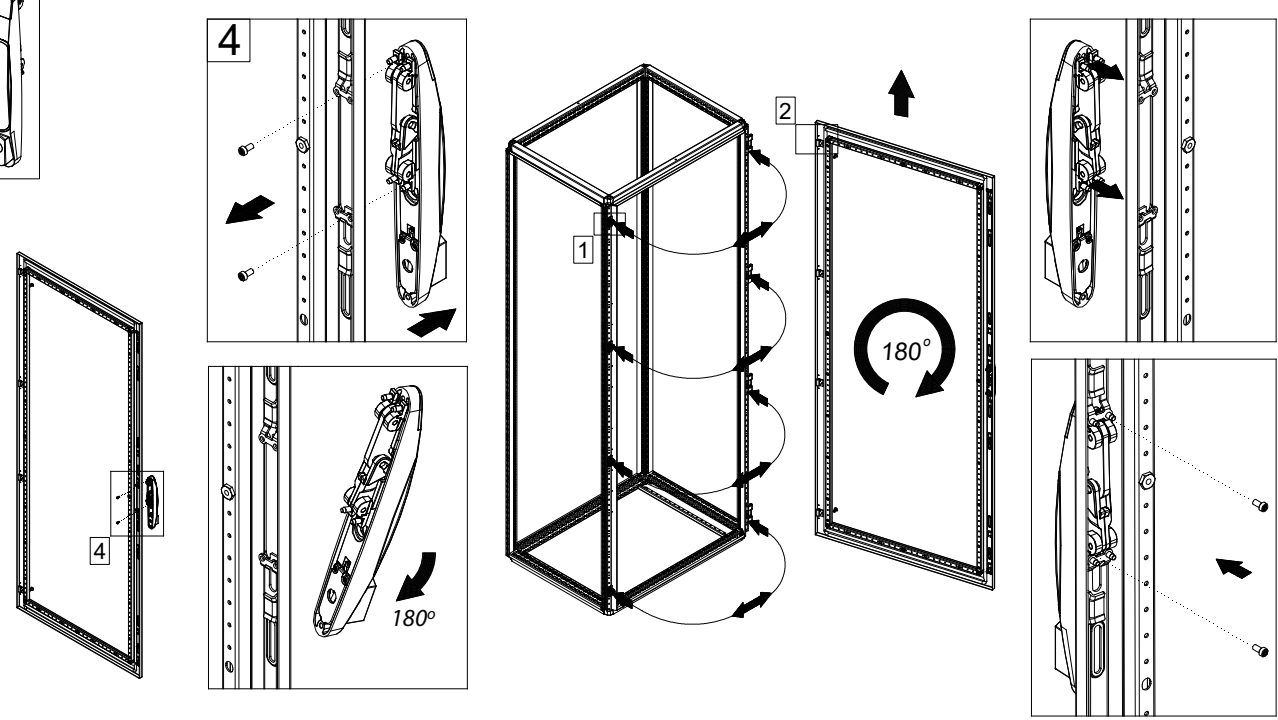
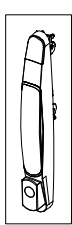




Standard Locking System



Lift Handle Locking System







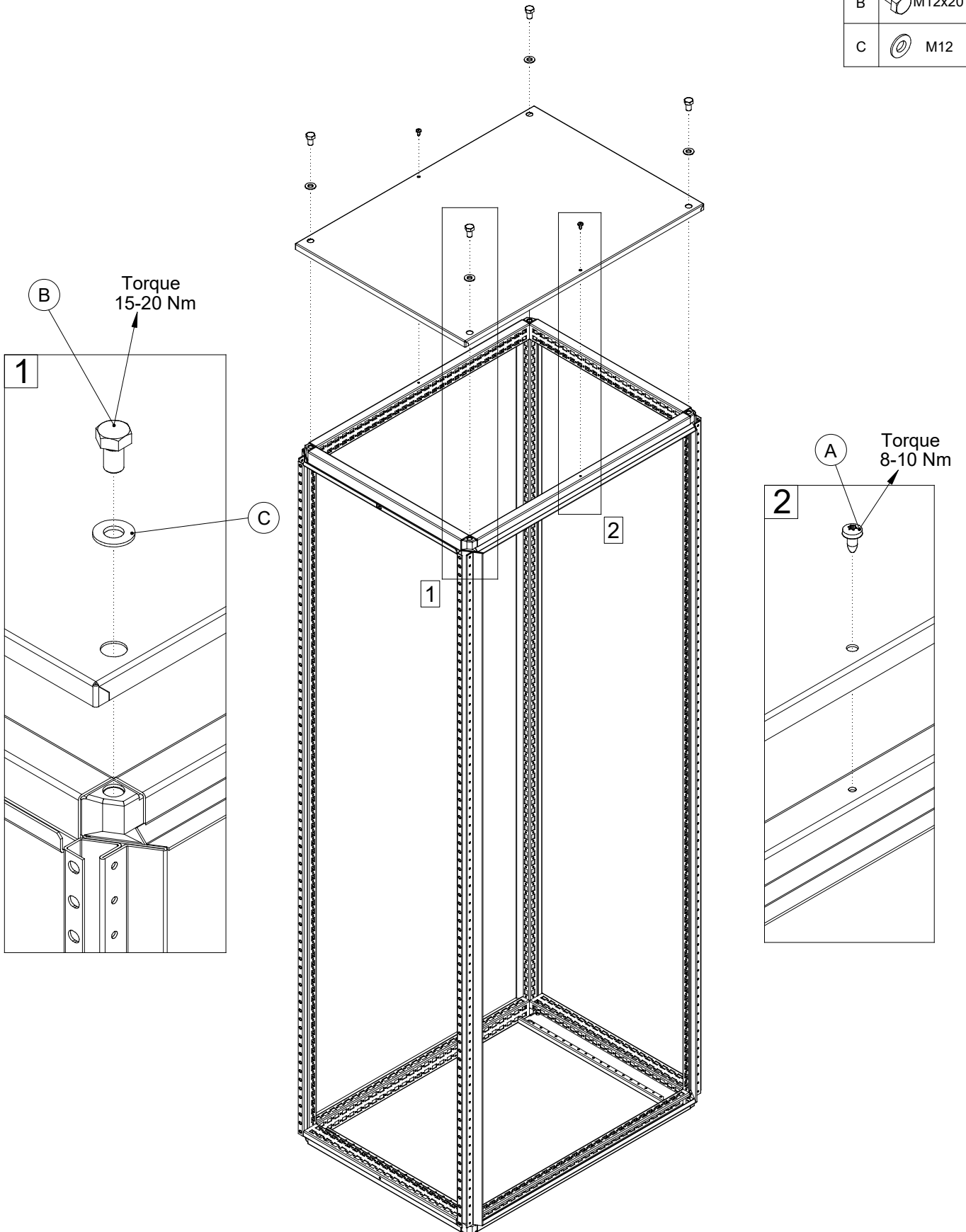
T30




SW19

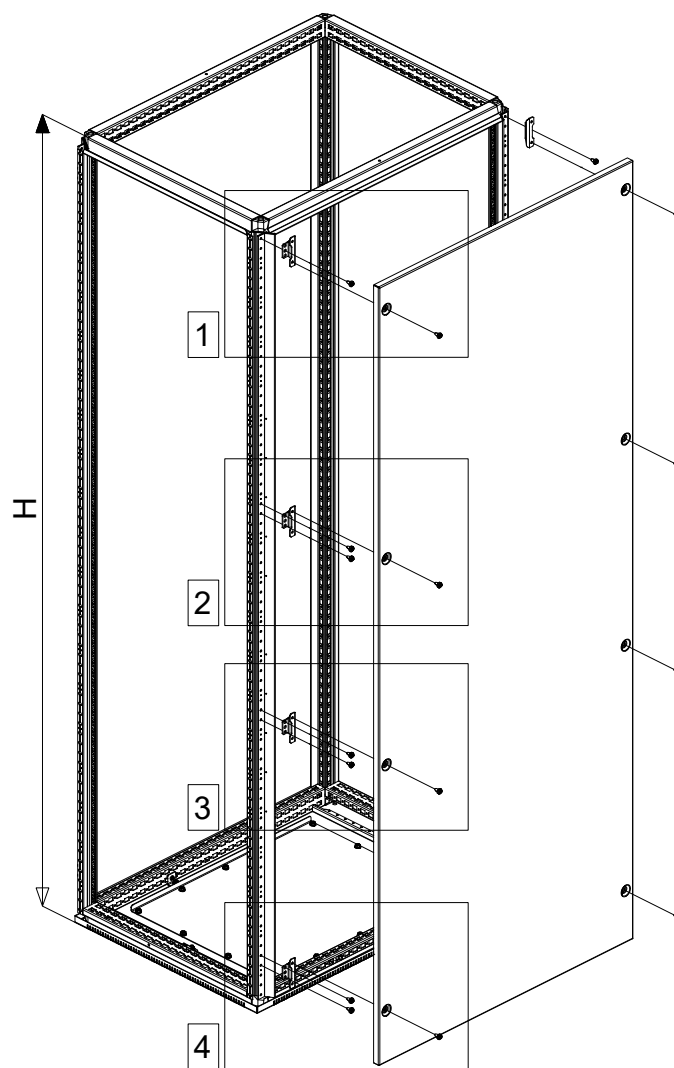
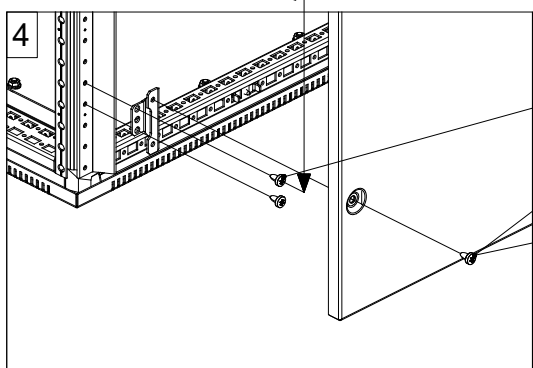
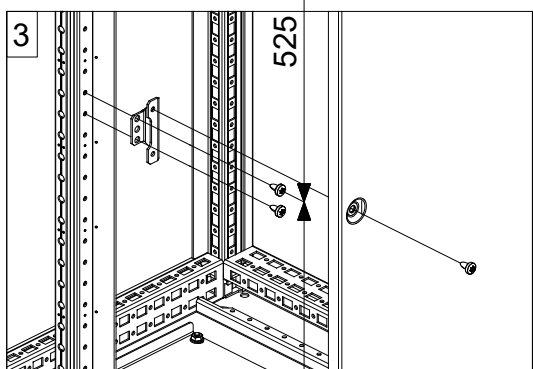
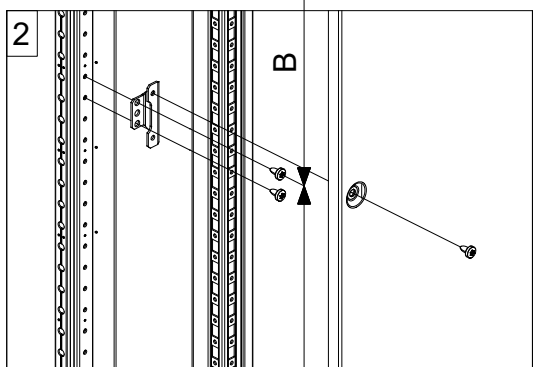
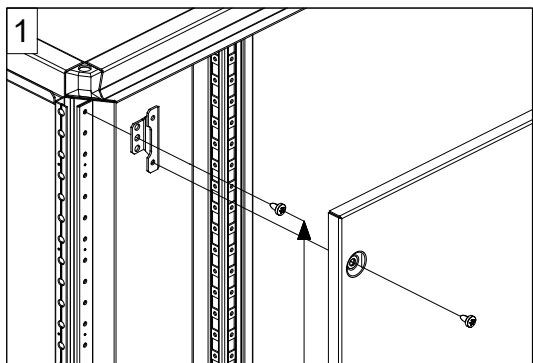
# ROOF PLATE

Ref.	Pic.	Qty.
A	M6x12	2
B	M12x20	4
C	M12	4



# BACK PANEL

Ref.	Pic.	Qty.
A	 M6x12	22



Torque  
8-10 Nm

H	A	B
1100	-	350
1400	325	375
1600	425	475
1800	525	575
2000	625	675
2200	725	775

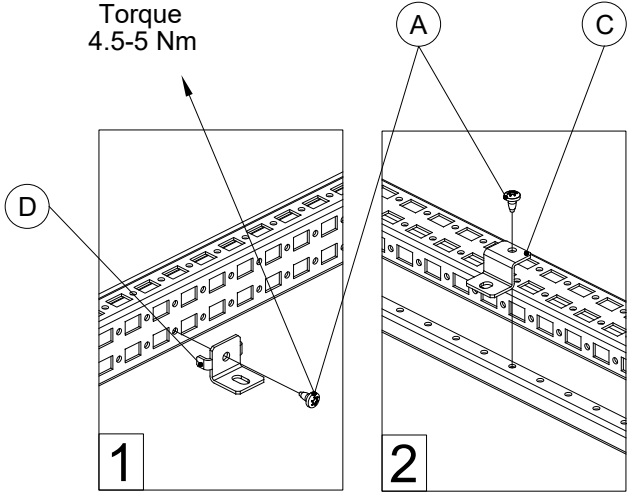
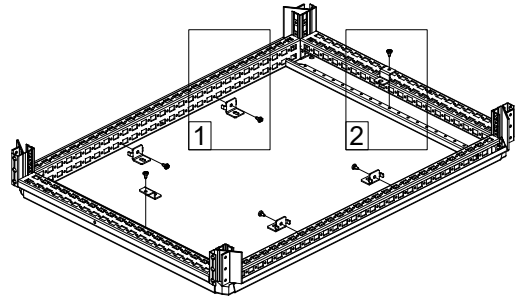


# BOTTOM PLATE MCS-HP

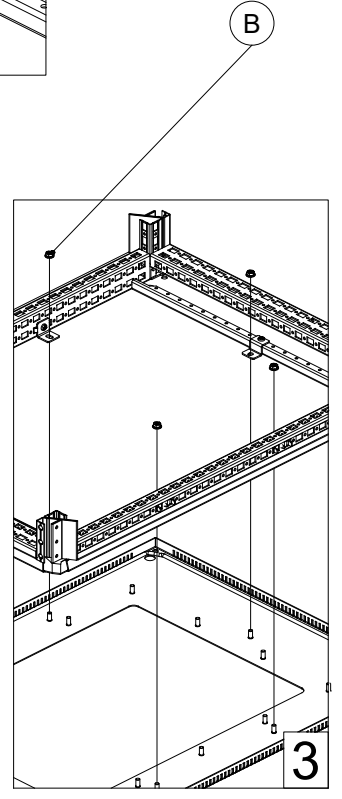
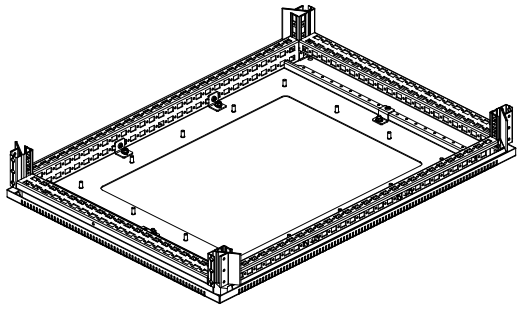
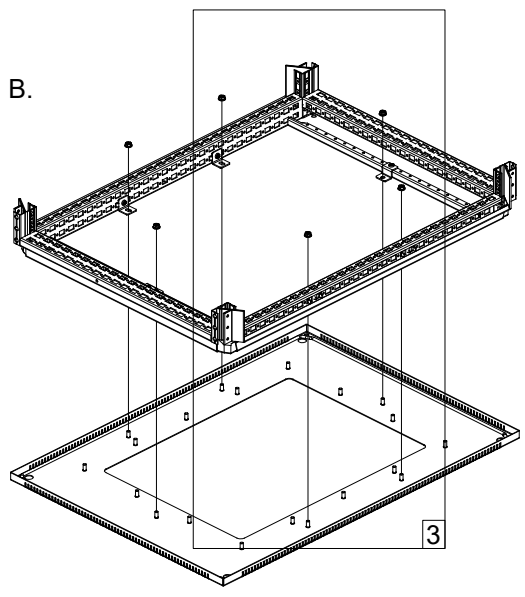
Ref.	Pic.	Qty.
A		6
B		20
C		2
D		4

Torque  
4.5-5 Nm

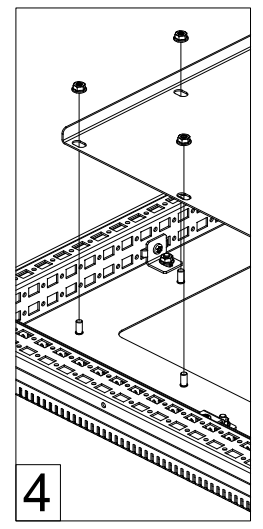
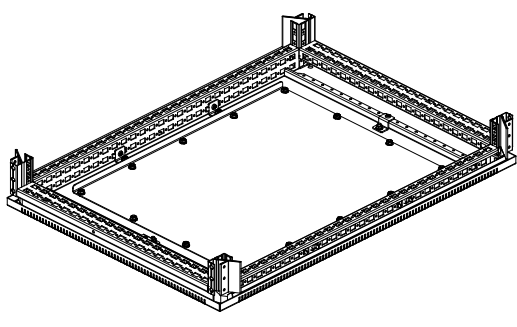
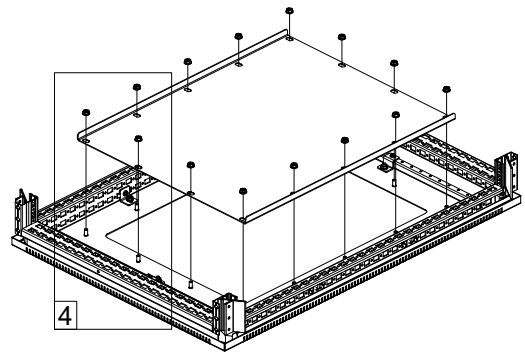
A.



B.



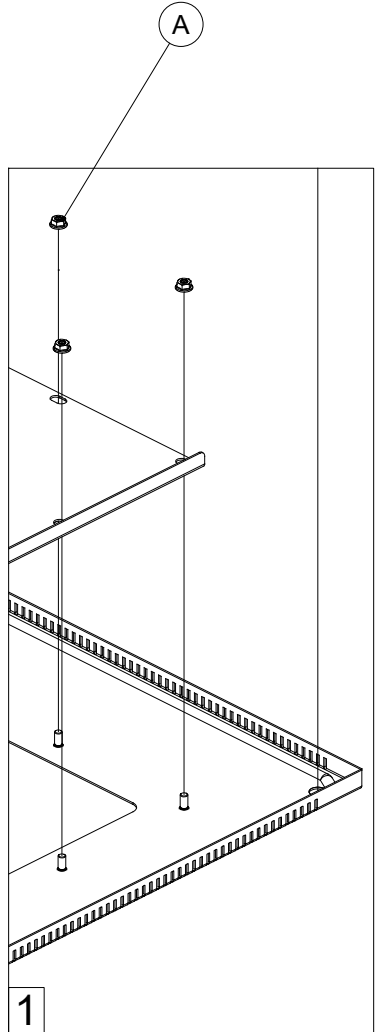
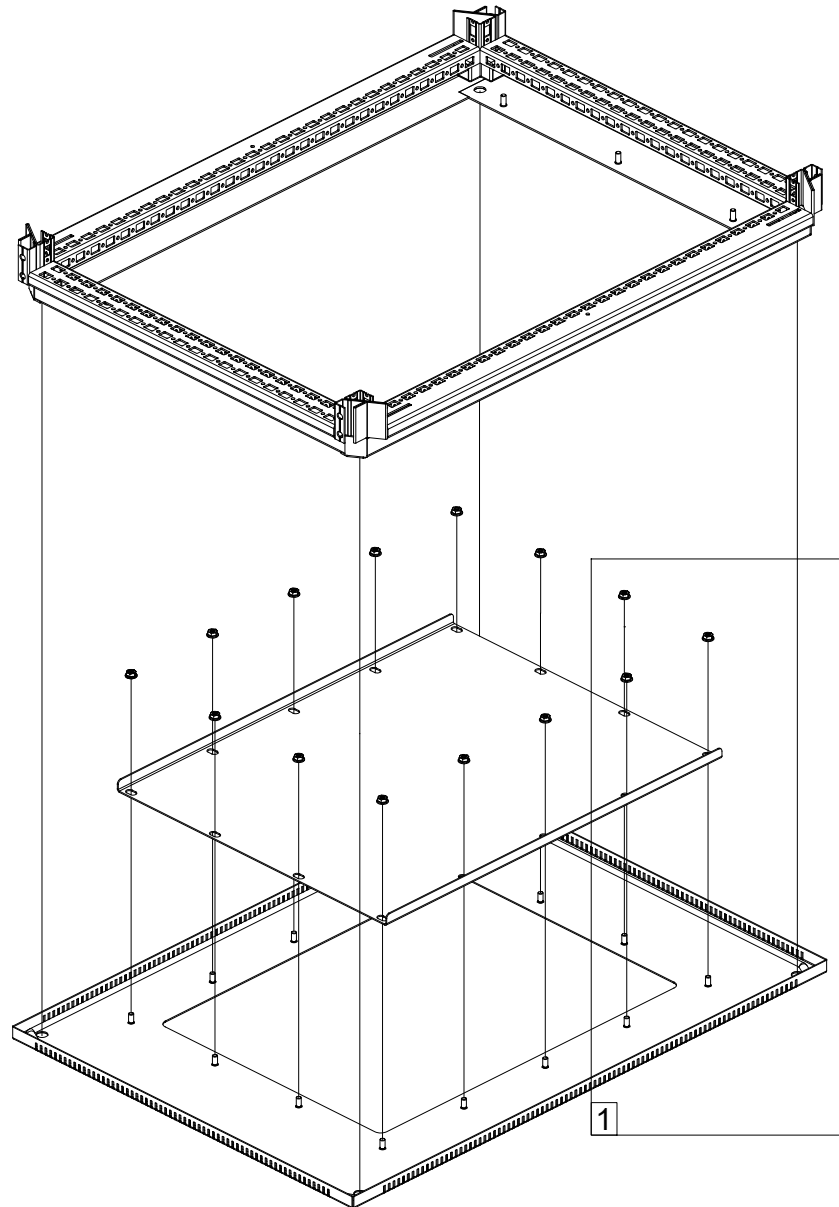
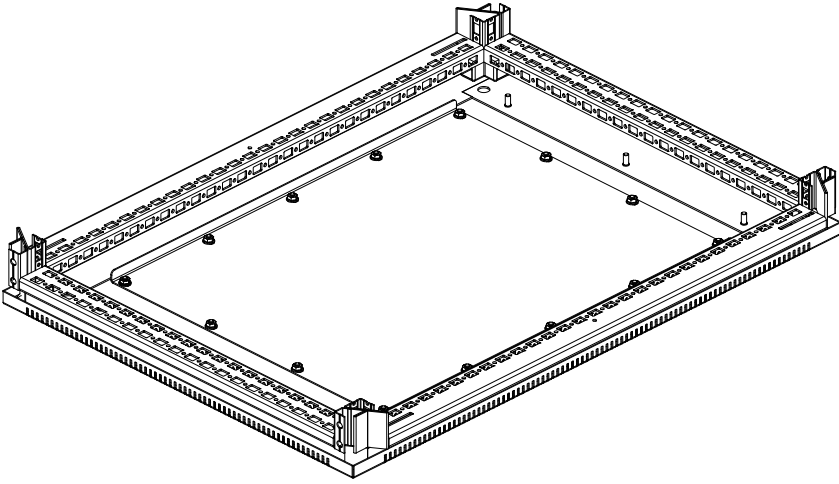
C.





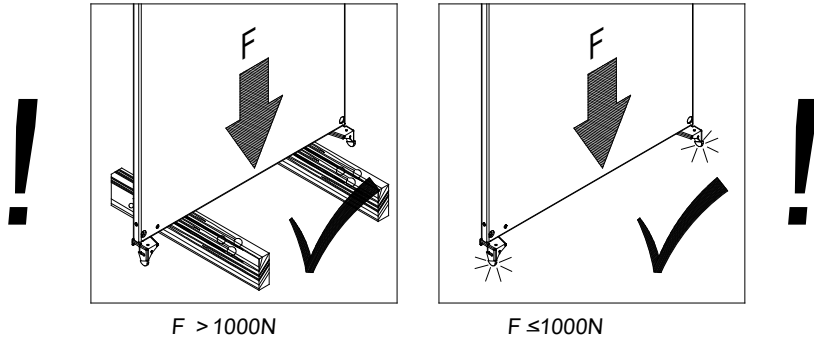
# BOTTOM PLATE MCSS-HP

Ref.	Pic.	Qty.
A	M6	14

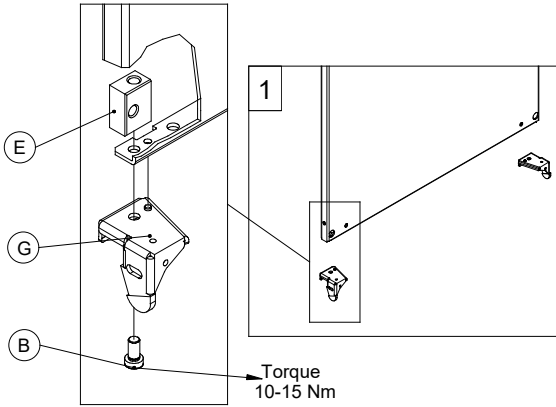




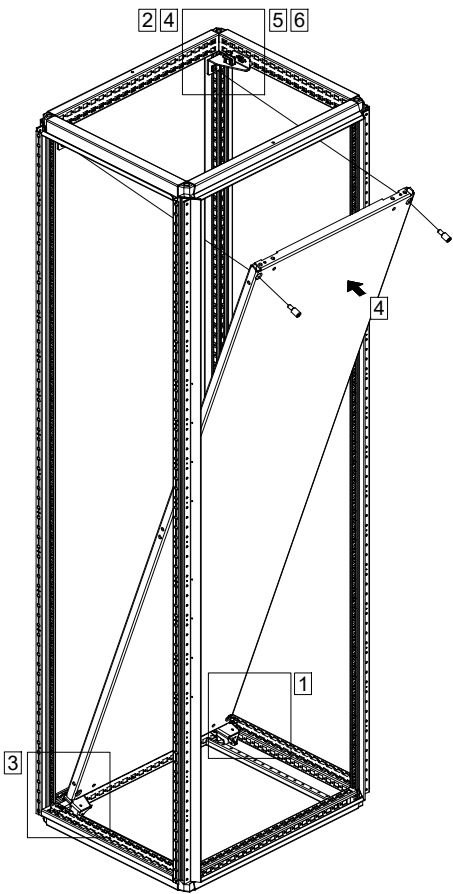
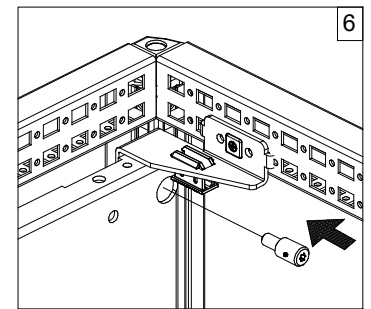
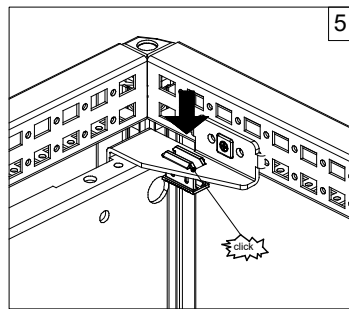
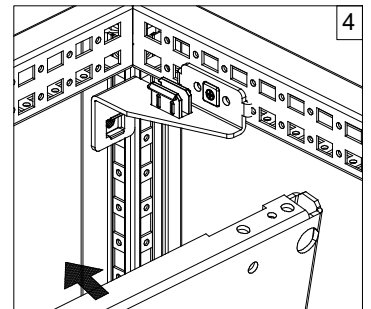
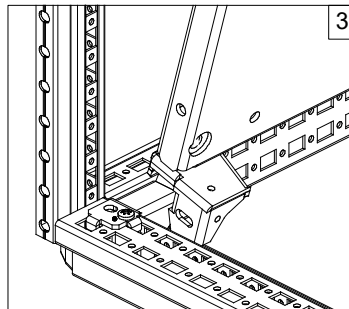
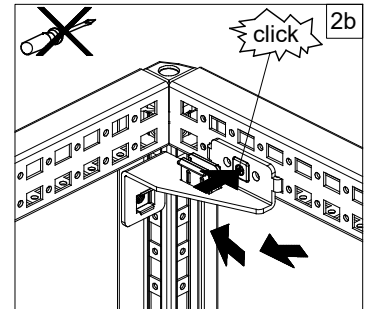
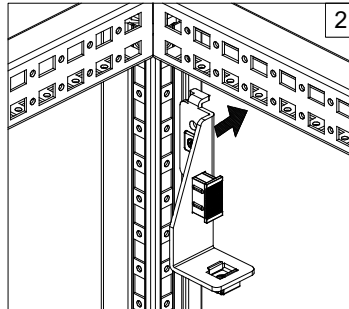
# MOUNTING PLATE



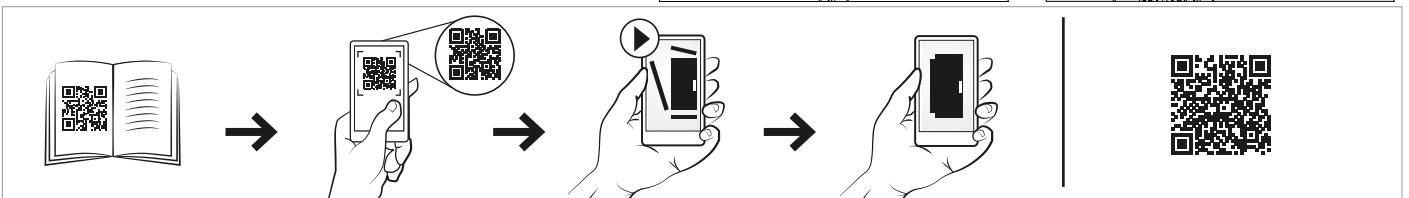
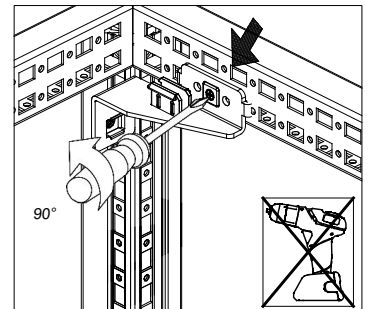
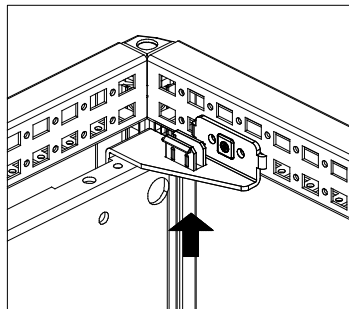
Ref.	Pic.	Qty.
A	M8x16	2
B	M8x16	2
C		2
D	Bottom right	1
E	Bottom left	1
F	Top right	1
G	Top left	1



## MOUNTING



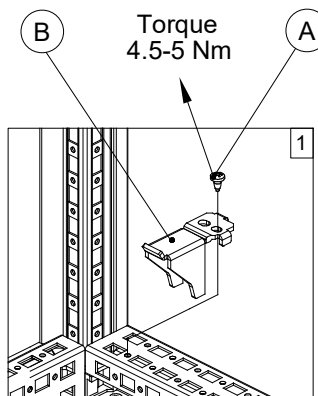
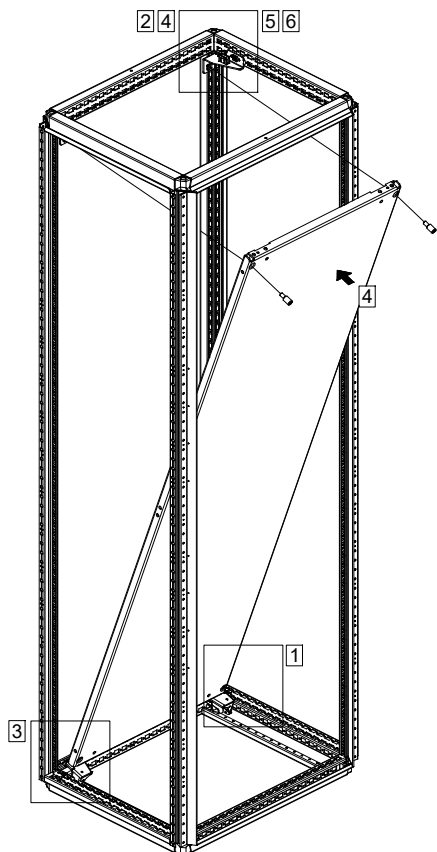
## UNMOUNTING



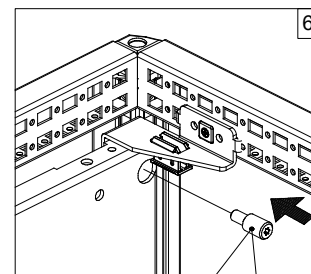
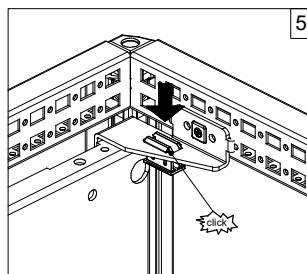
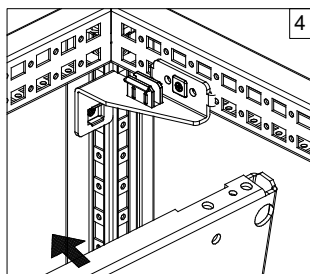
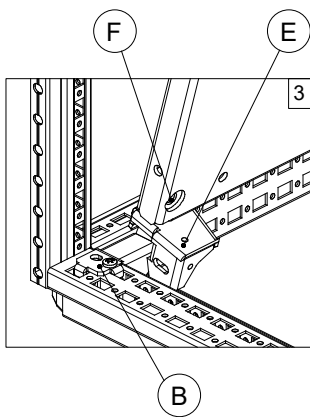
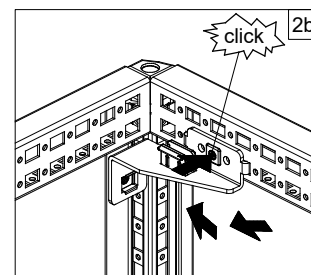
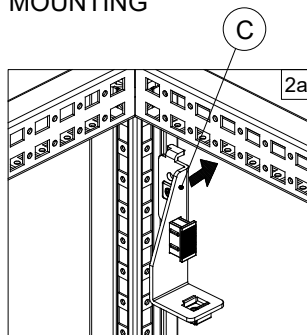


# MPD02

Ref.	Pic.	Qty.
A	M5X12	2
B	Bottom left	1
C	Bottom right	1

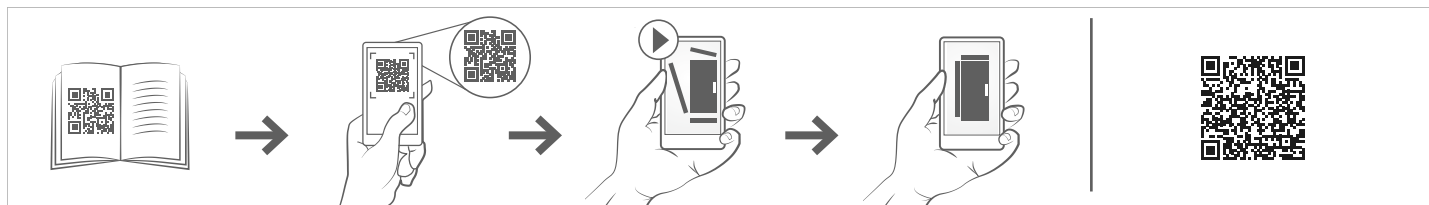
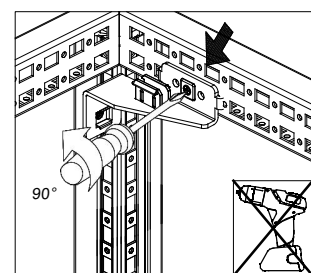
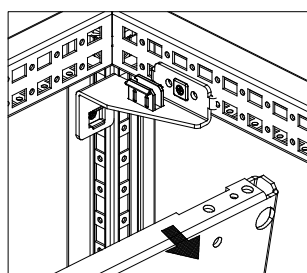
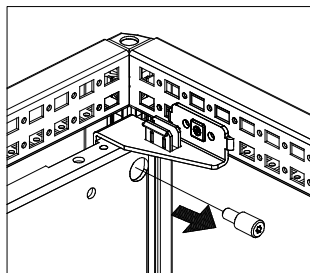
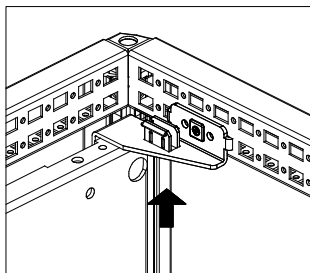


## MOUNTING



Torque 4.5-5 Nm

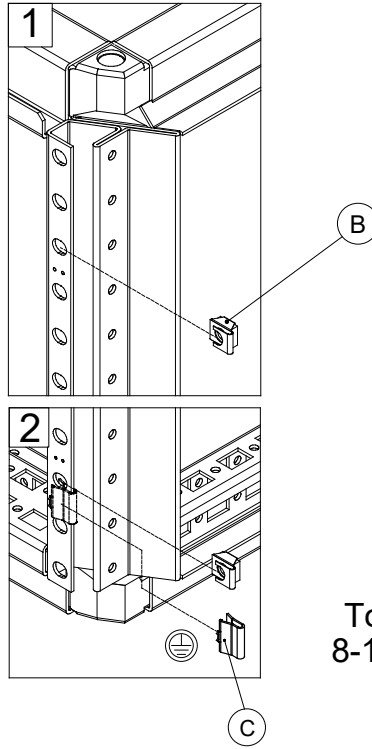
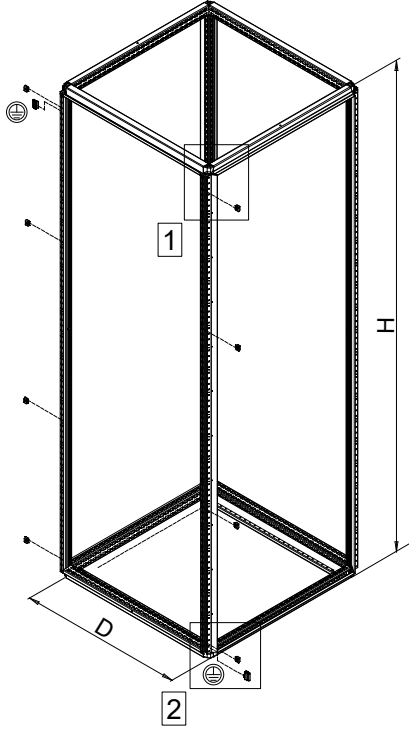
## UNMOUNTING



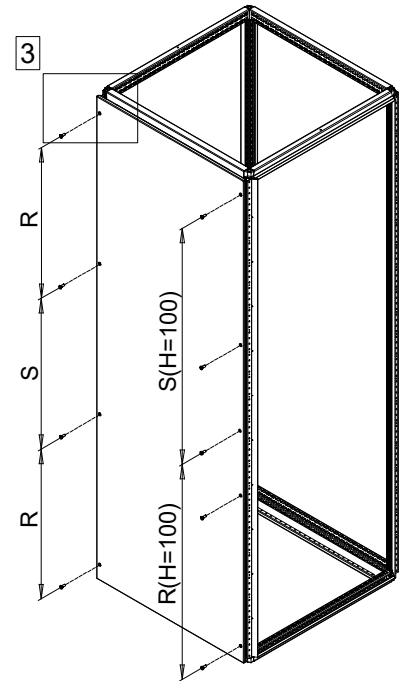
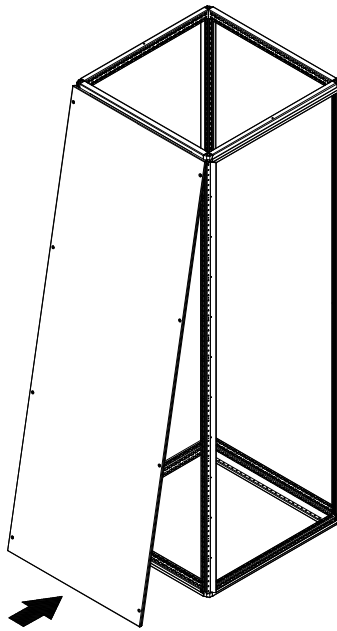
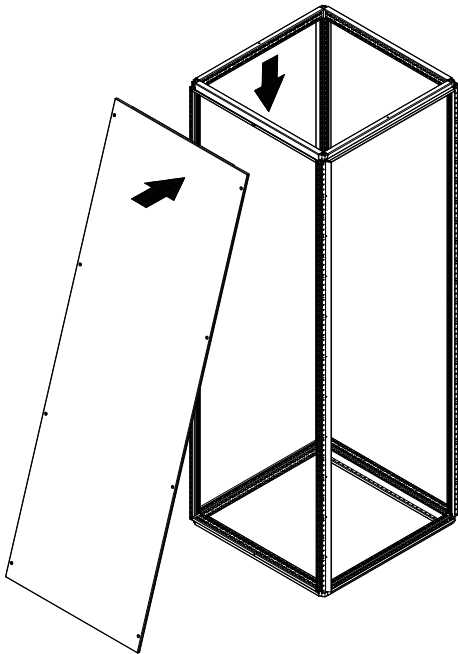
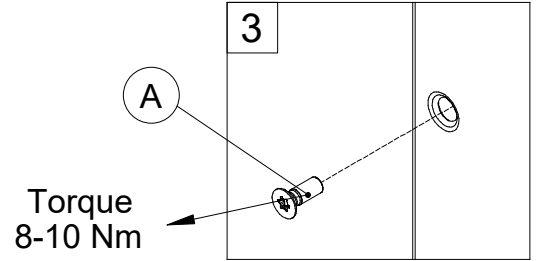


# SPM

Ref.	Pic.	Qty.
A	M6x16	9
B	M6	8
C		2




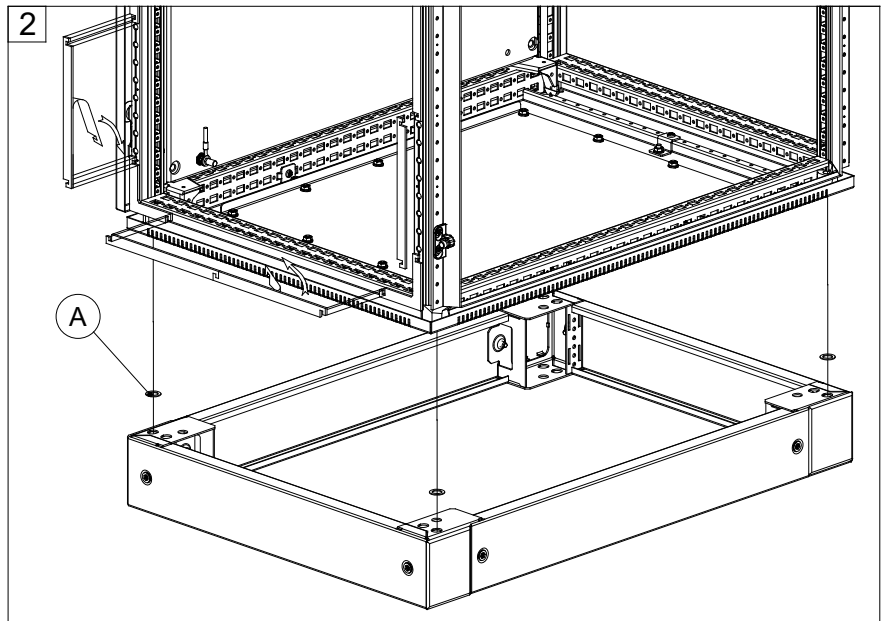
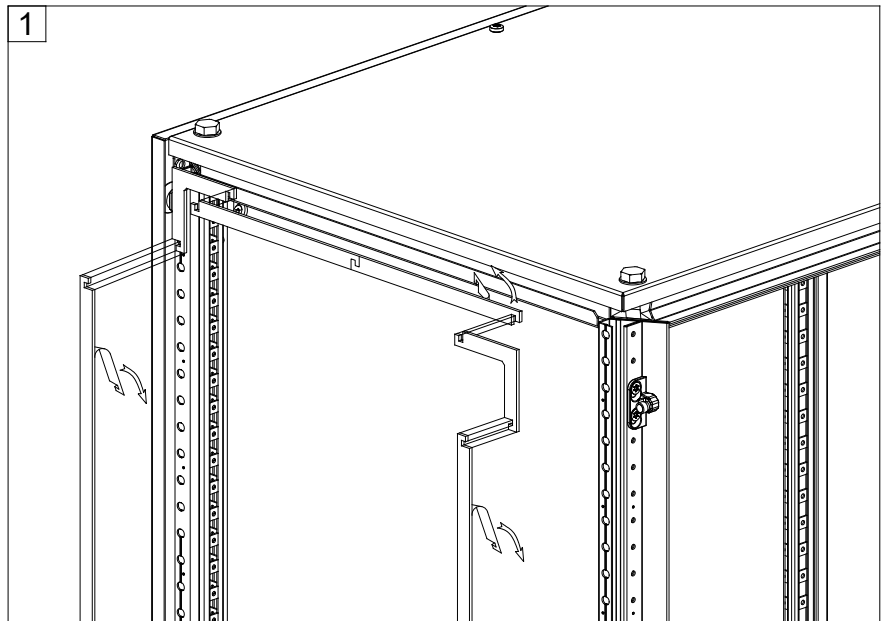
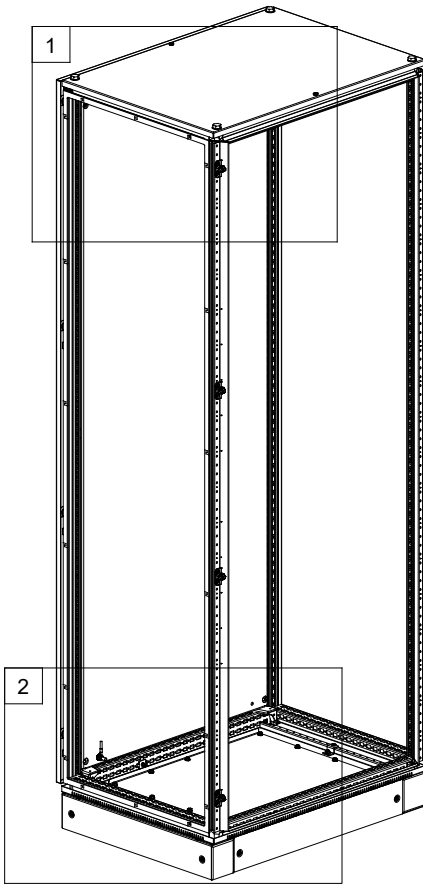
H	R	S
1100	475	450
1400	425	375
1600	475	475
1800	525	575
2000	625	575
2200	675	675

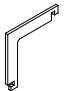
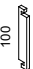






# HPPG01 Puzzle Gasket

Ref.	Pic.	Qty.
A	 M12	4



MCS20086HP MCSS20086HP				
ENCLOSURE HIGHT				
H=2000	4x	0x	2x	8x
ENCLOSURE DEPTH				
D=600	-	0x	4x	0x

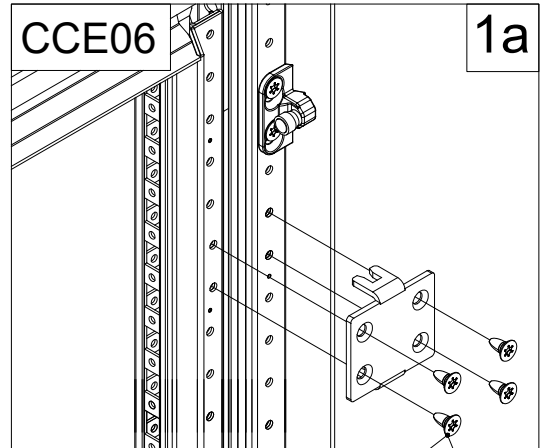
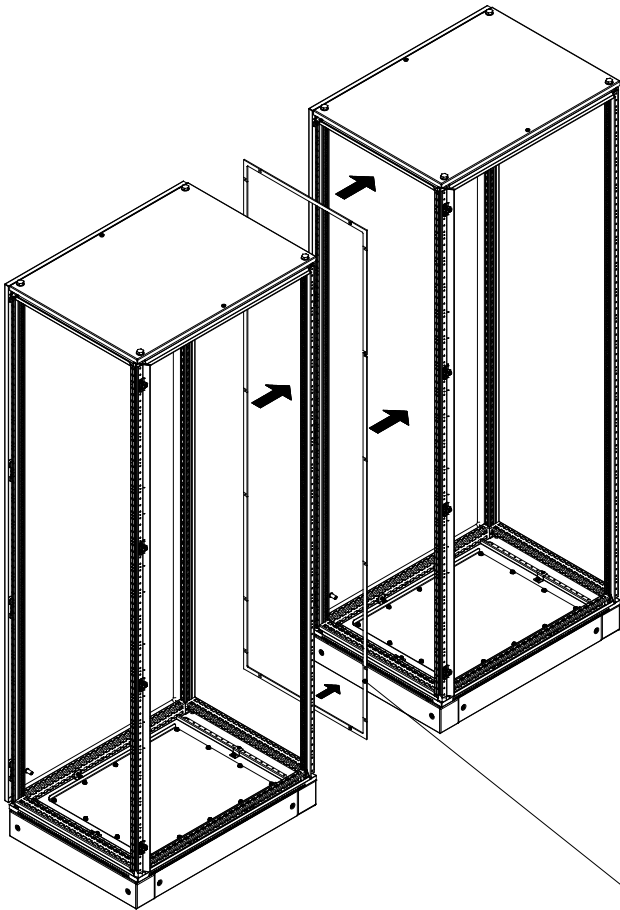
\*To combine the enclosures side to side  
CC106 and CCM04 are also required.

\*Nylon washers for plinth fixation are included  
in the enclosure kit.



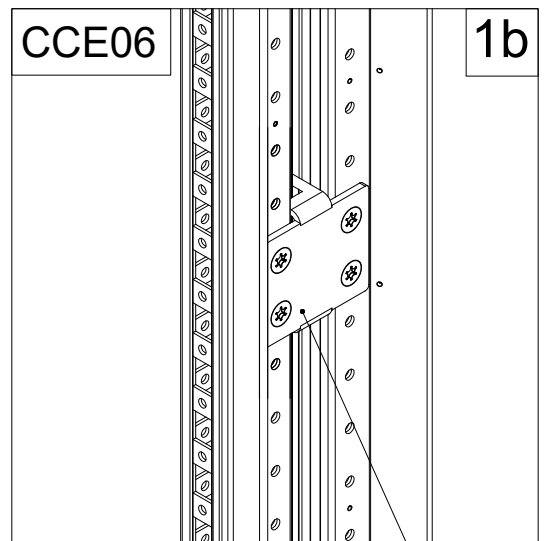
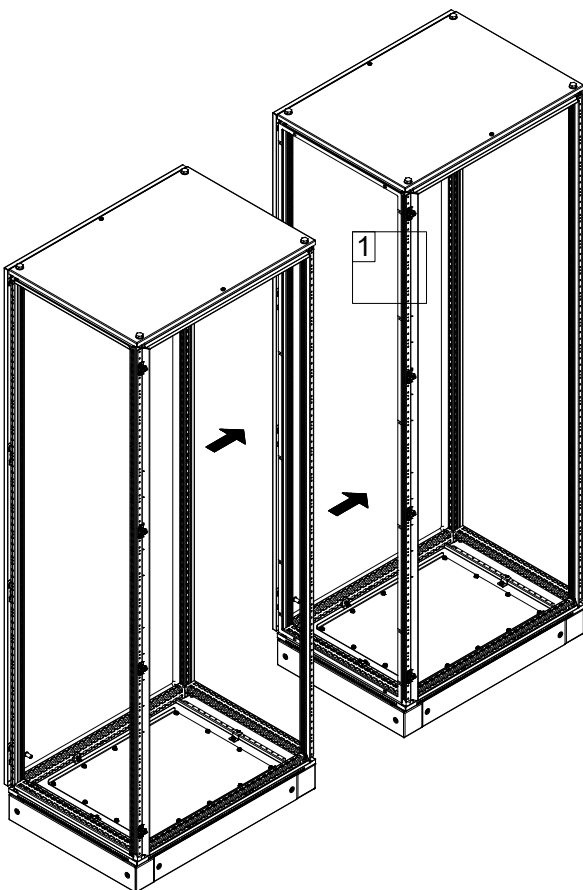


Ref.	Pic.	Qty.
A		24
B		6

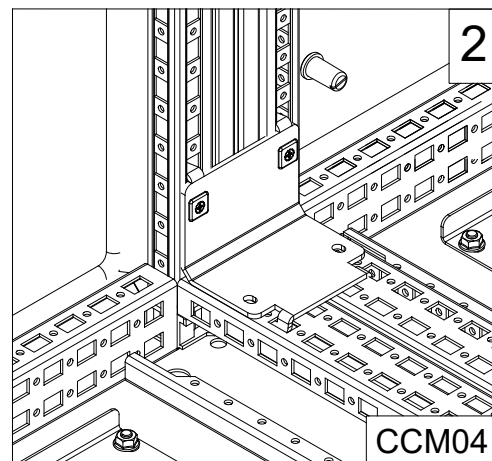
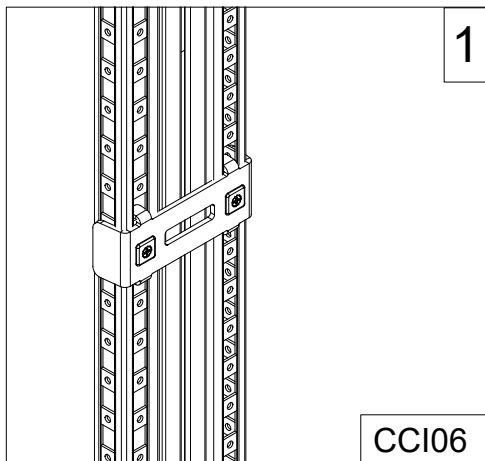
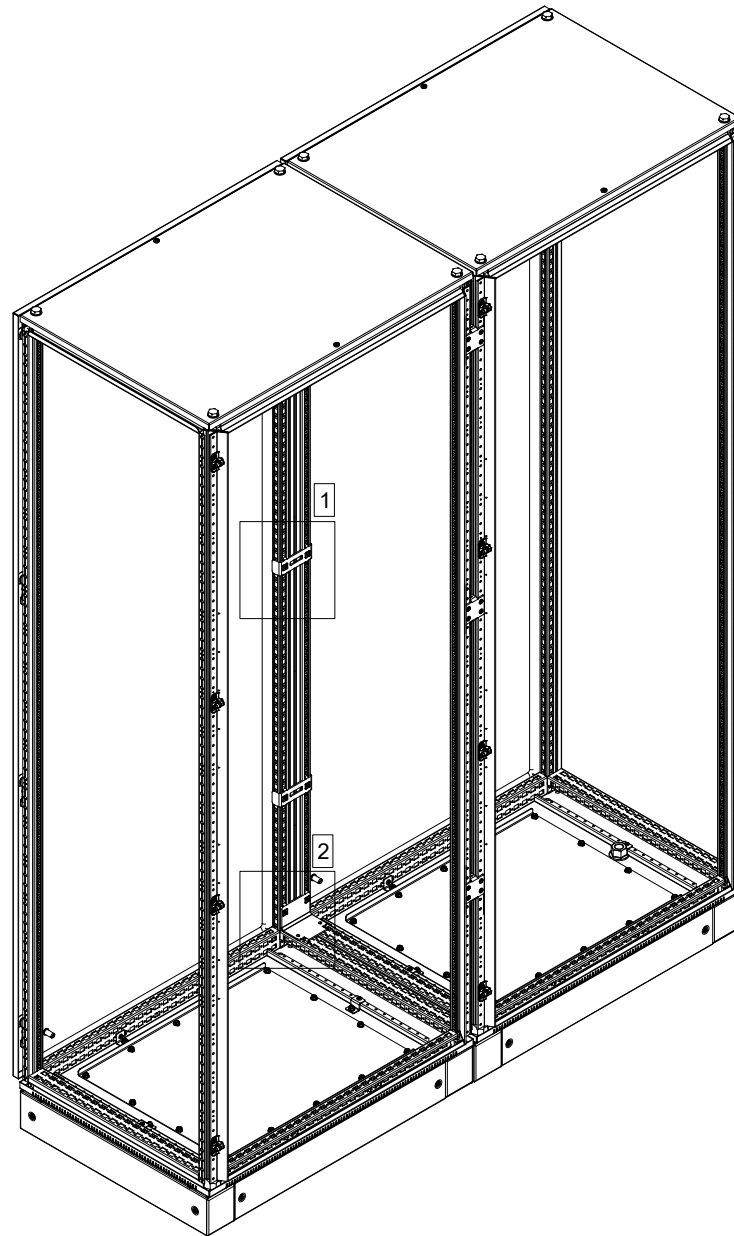


A

Torque  
8-10 Nm



B

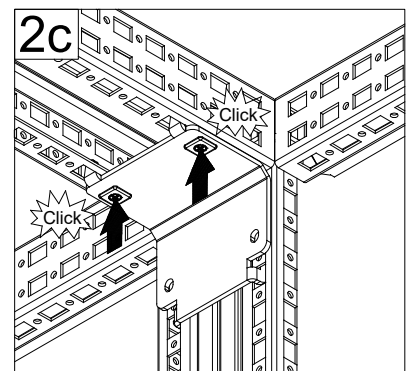
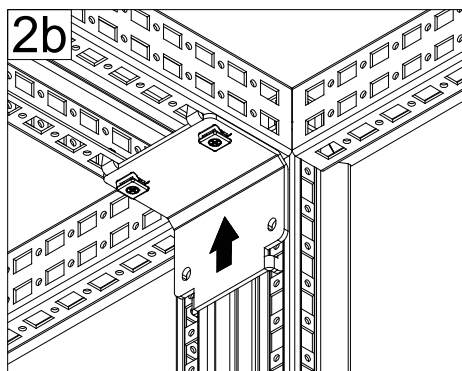
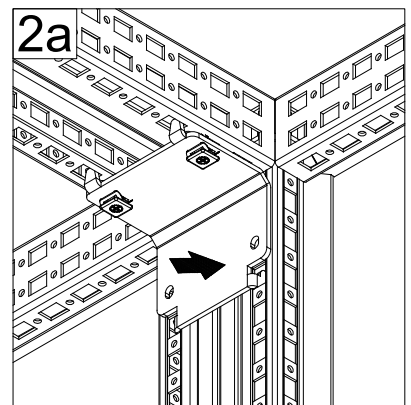
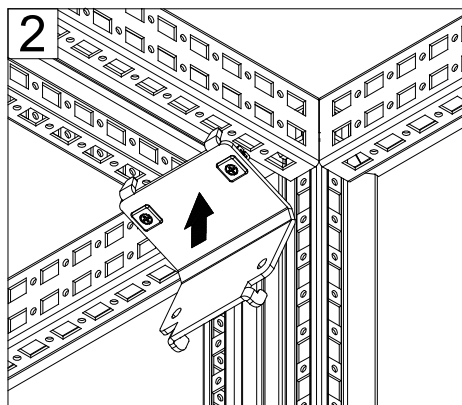
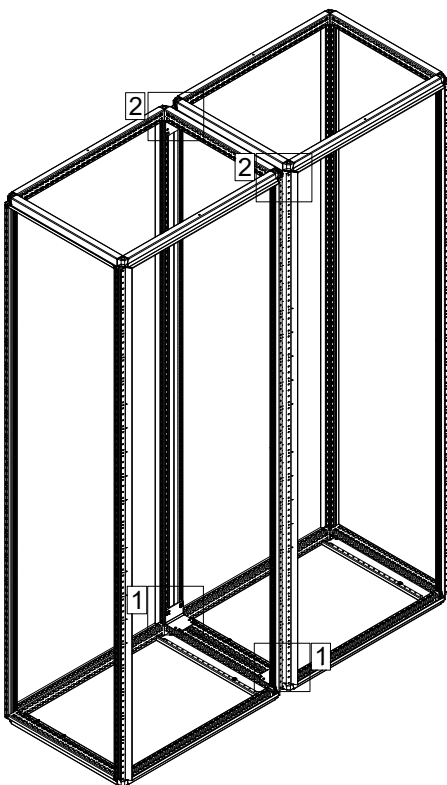
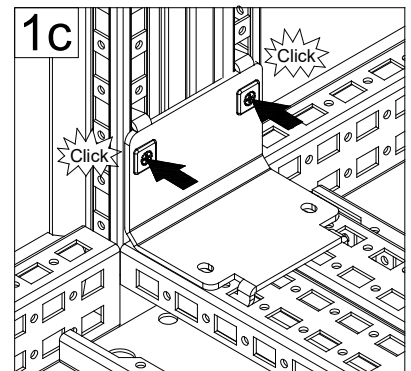
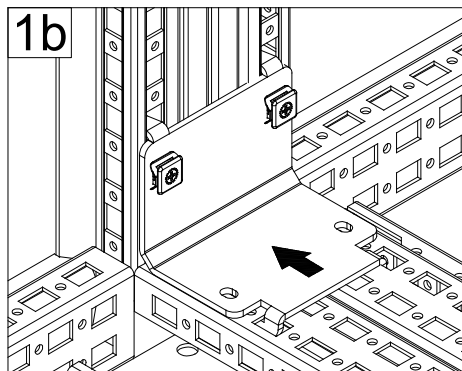
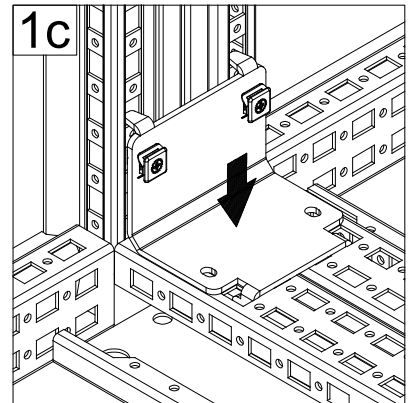
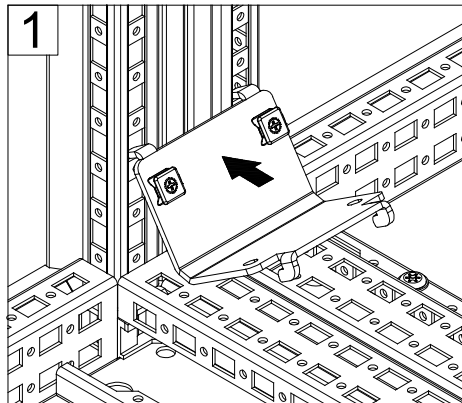
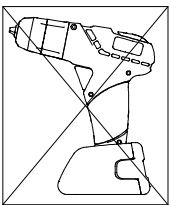
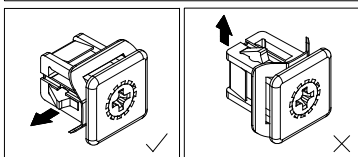
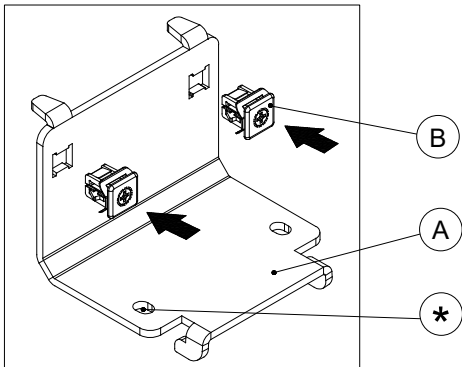




# CCM 04

Ref.	Pic.	
A		4
B		8

## MOUNTING

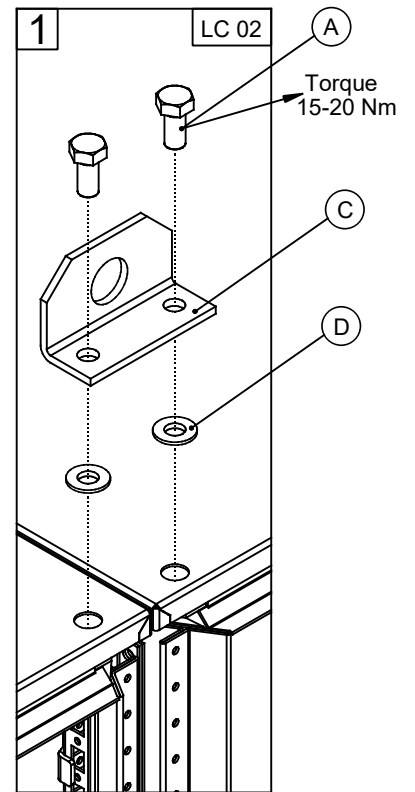
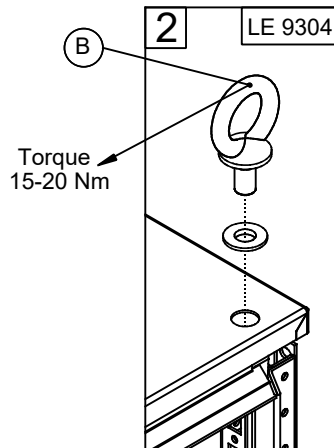
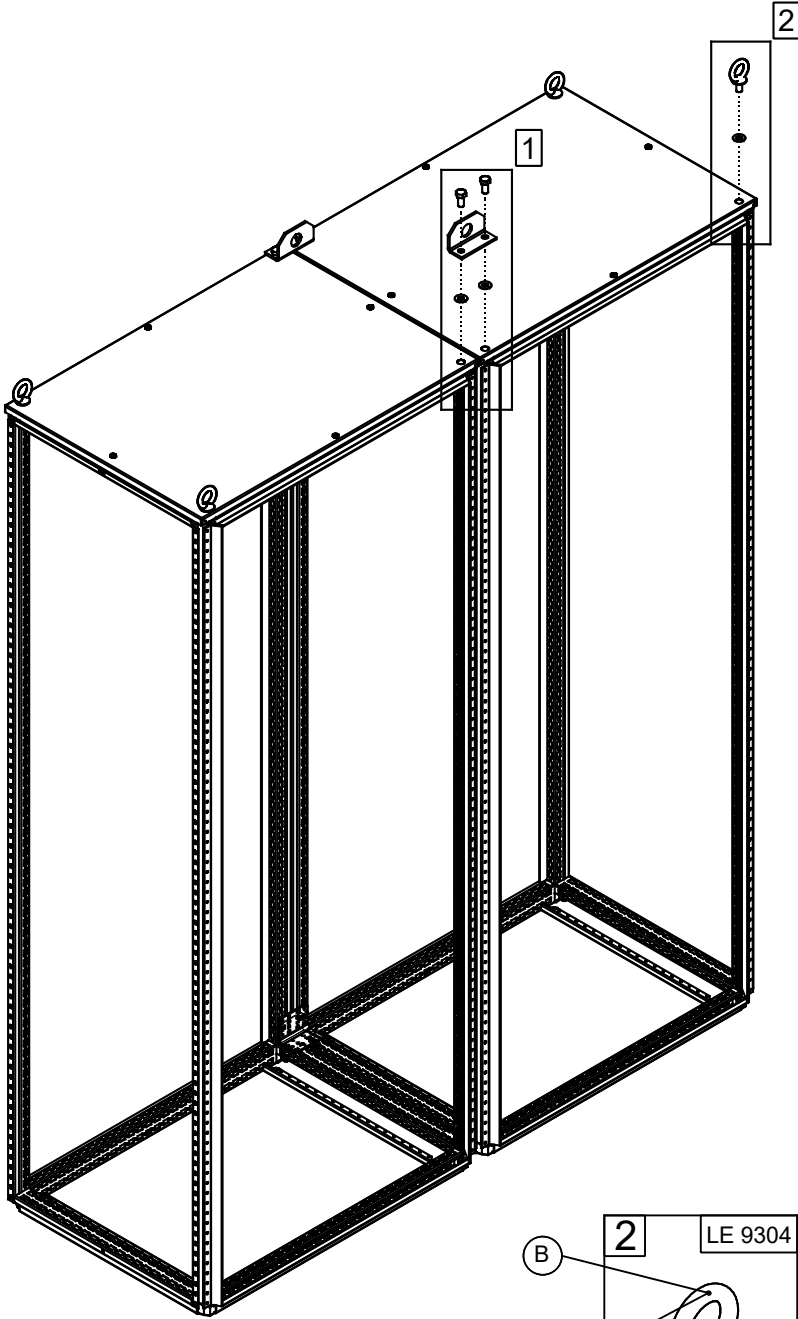


Note: It is mandatory for all four brackets to be installed at all four corners !

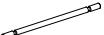



\* The fixation holes can be used to better fix the bracket to the frame, using cage nuts and screws !

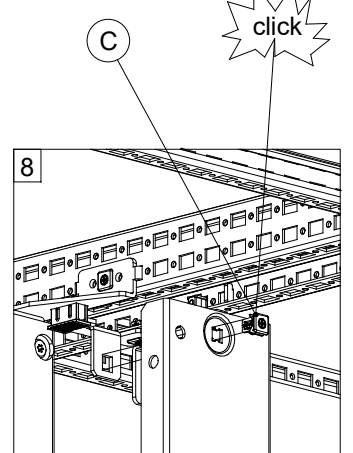
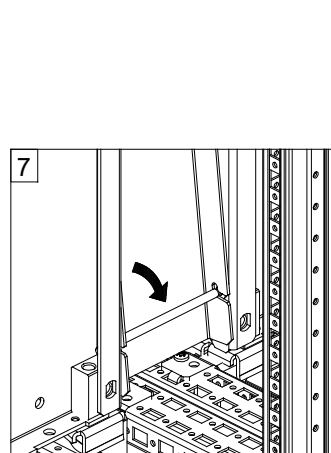
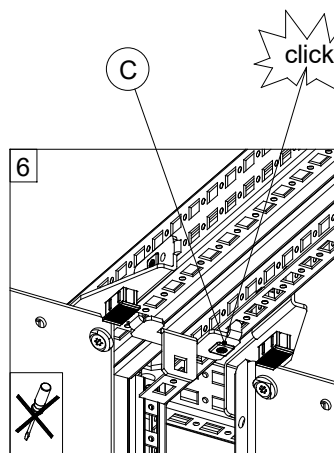
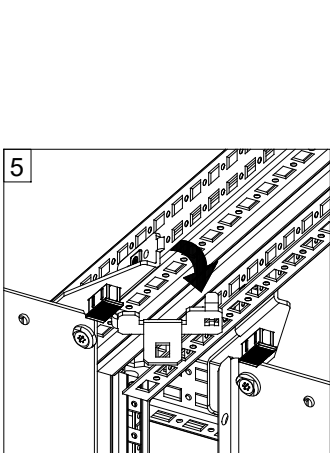
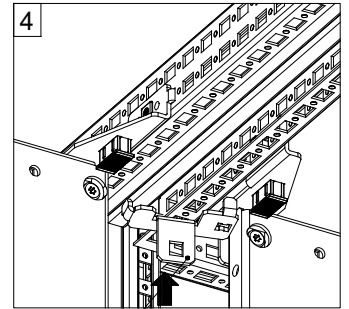
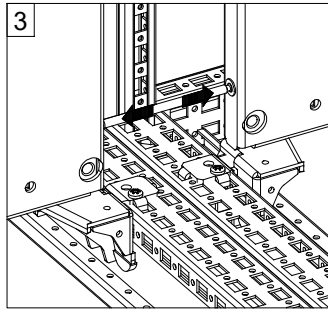
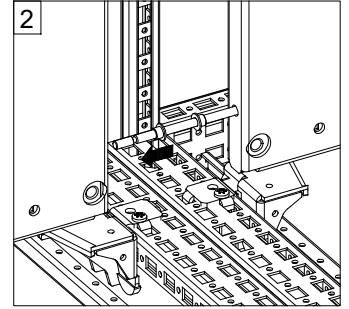
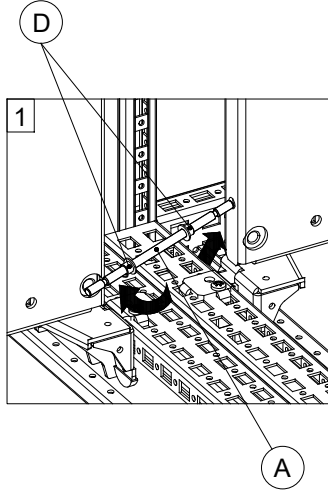
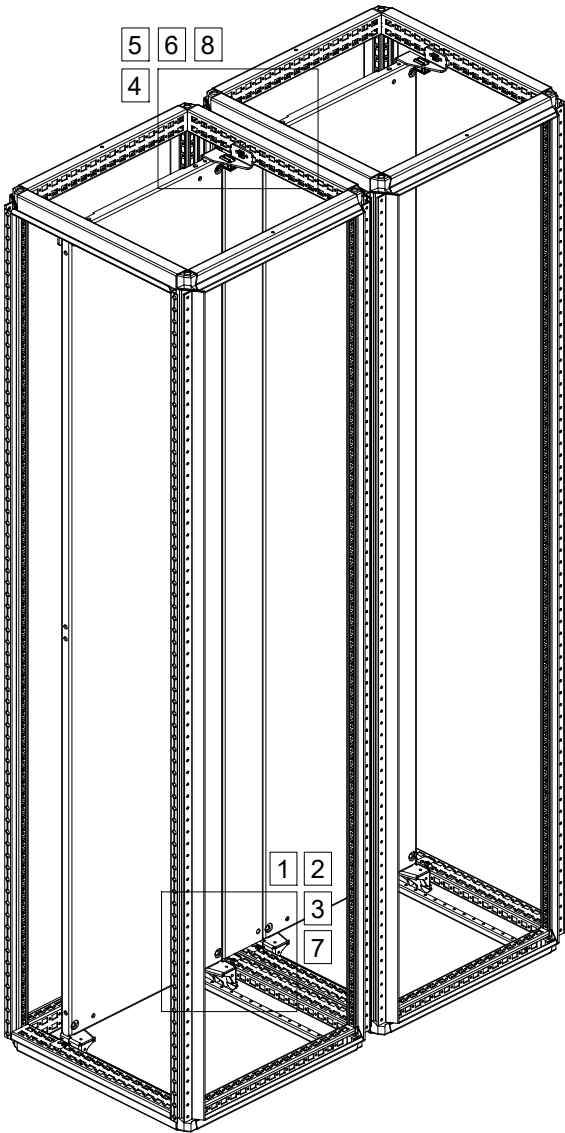


Ref.	Pic.	Qty.
A		4
B		4
C		2
D		4



# MPF


Ref.	Pic.	Qty.
A		1
B		1
C		2
D		2

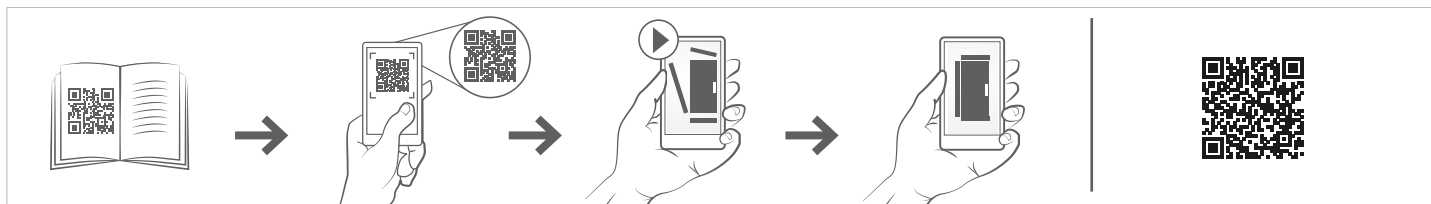
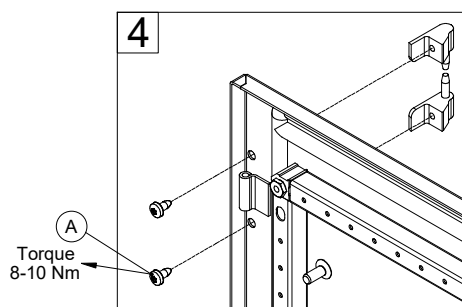
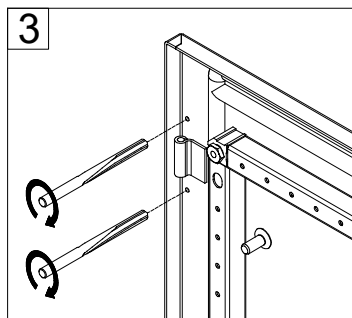
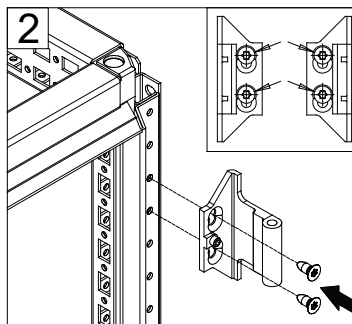
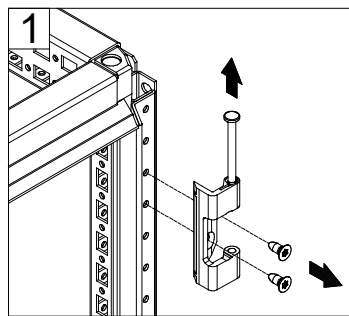
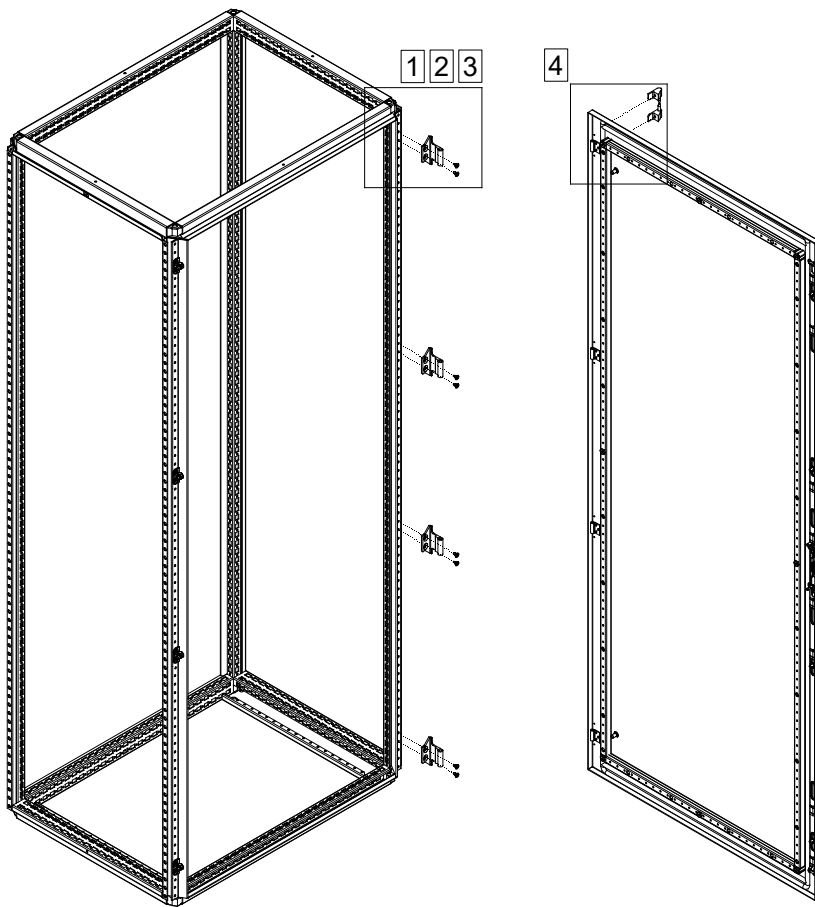
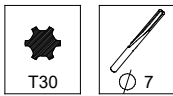


Back view



# DHN 180

Ref.	Pic.	Qty.
A	 M6x12	8





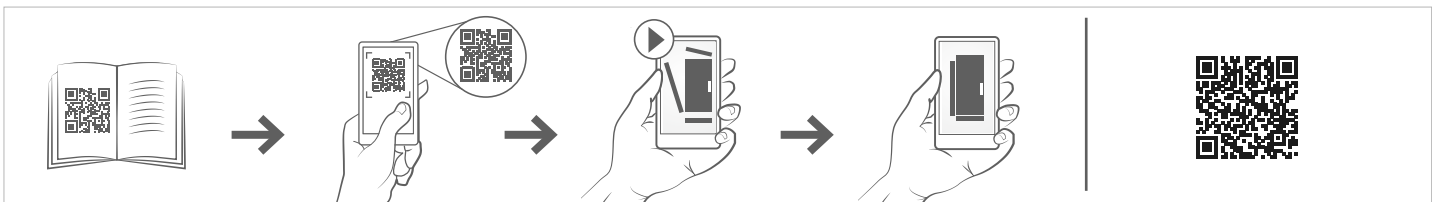
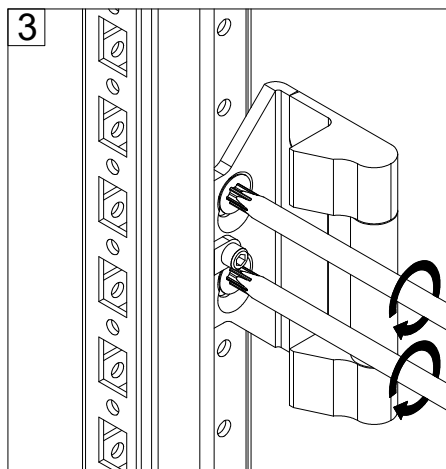
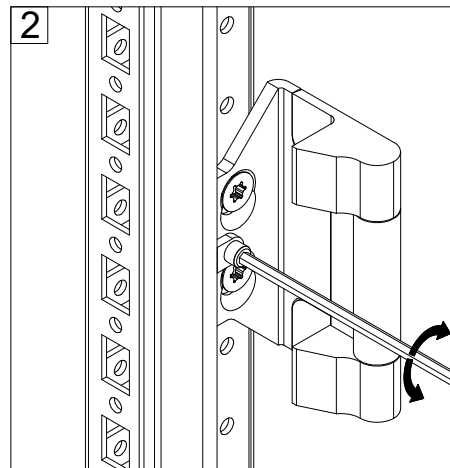
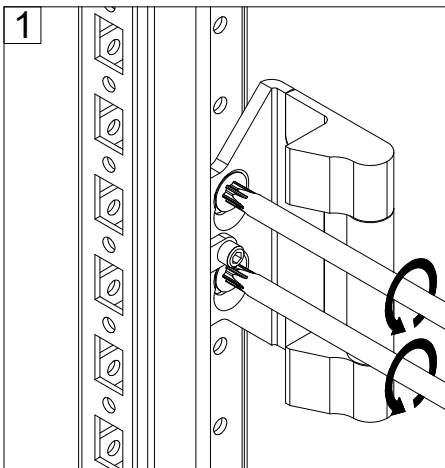
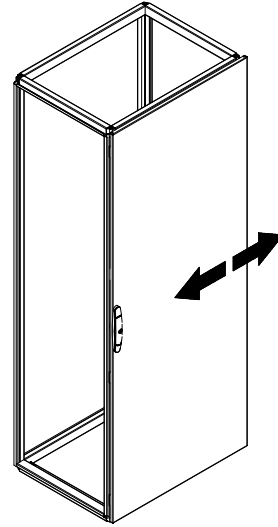
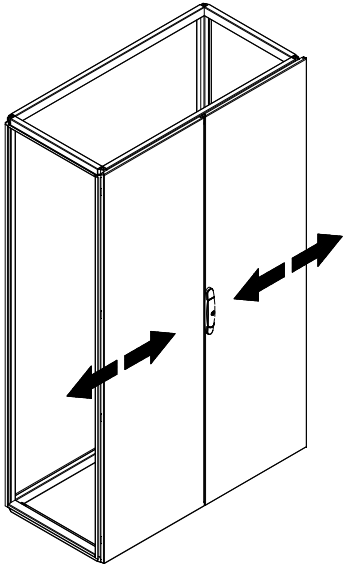


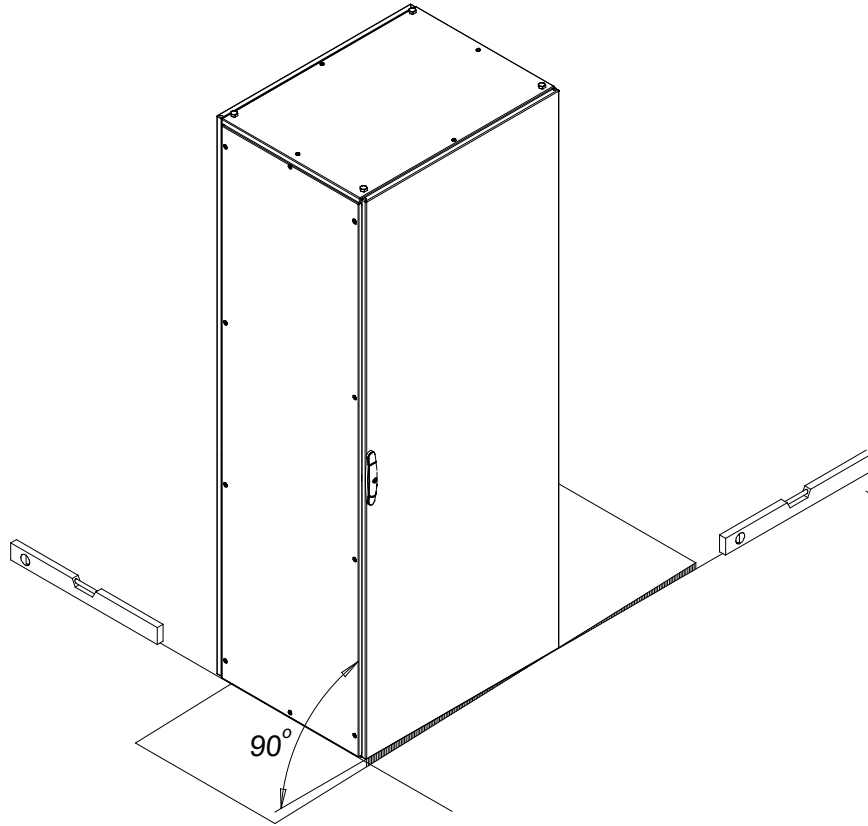
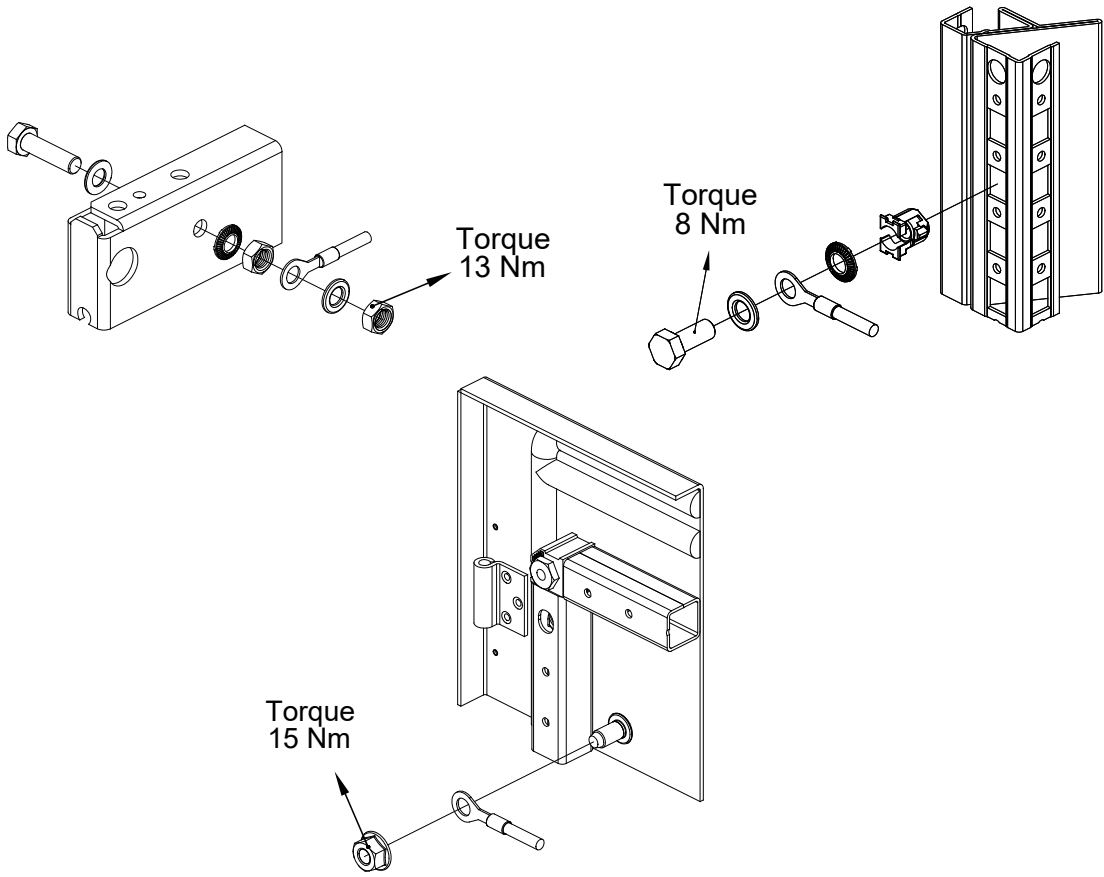
T30



SW3

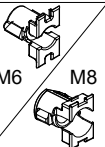
# DHN 180 DOOR ADJUSTMENT







# CNM

Ref.	Pic.	Qty.
A		1

