

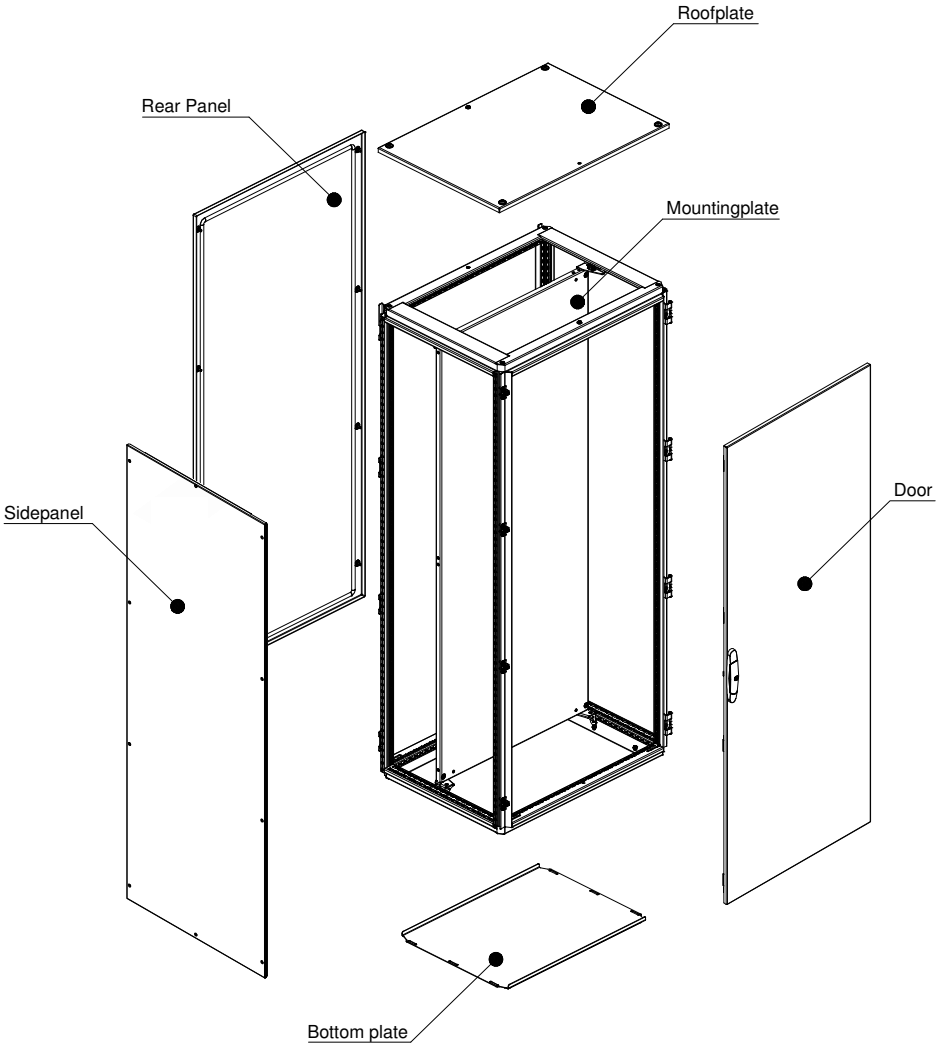
**Floor standing enclosures**  
**Combinable version**  
Stainless steel

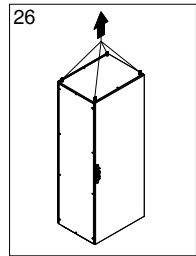
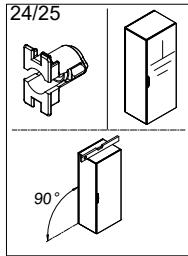
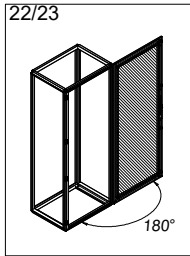
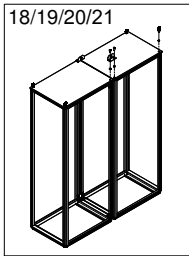
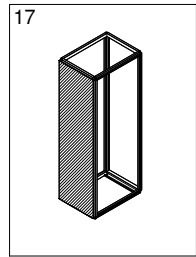
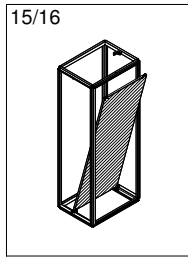
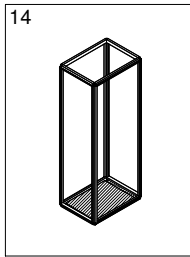
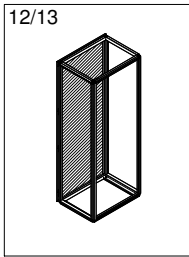
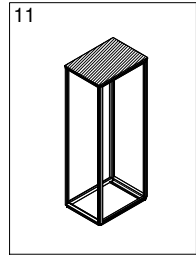
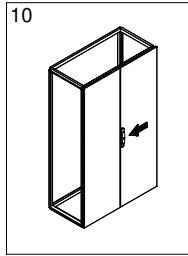
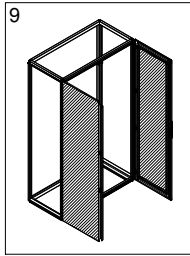
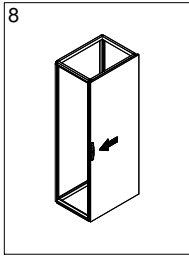
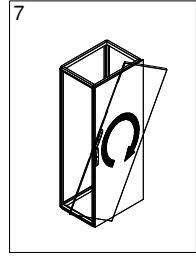
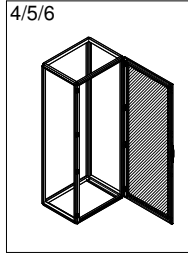
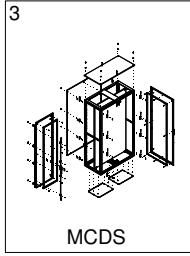
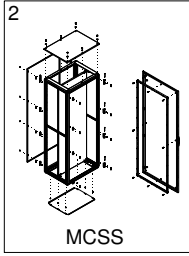
MOUNTING INSTRUCTIONS

6885-0120-02 REV.15

---



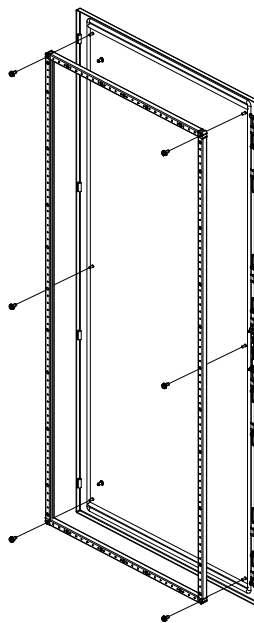
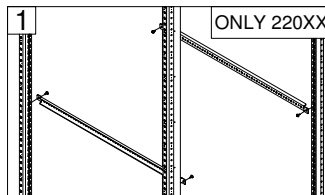
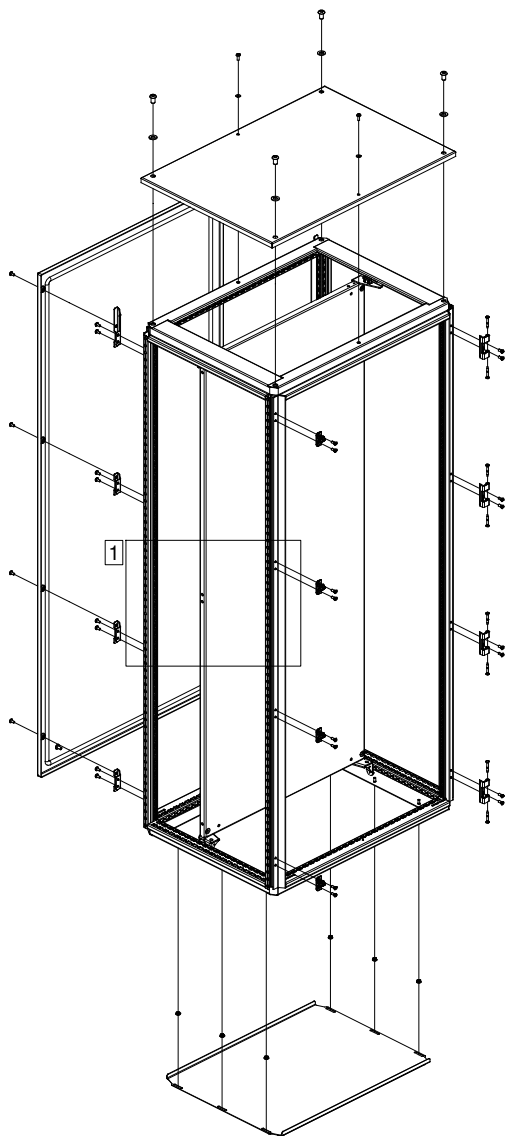




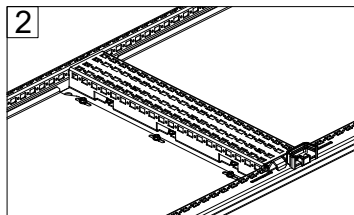
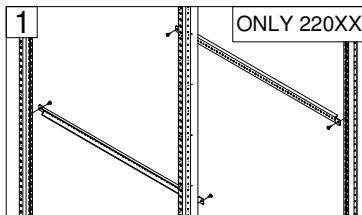
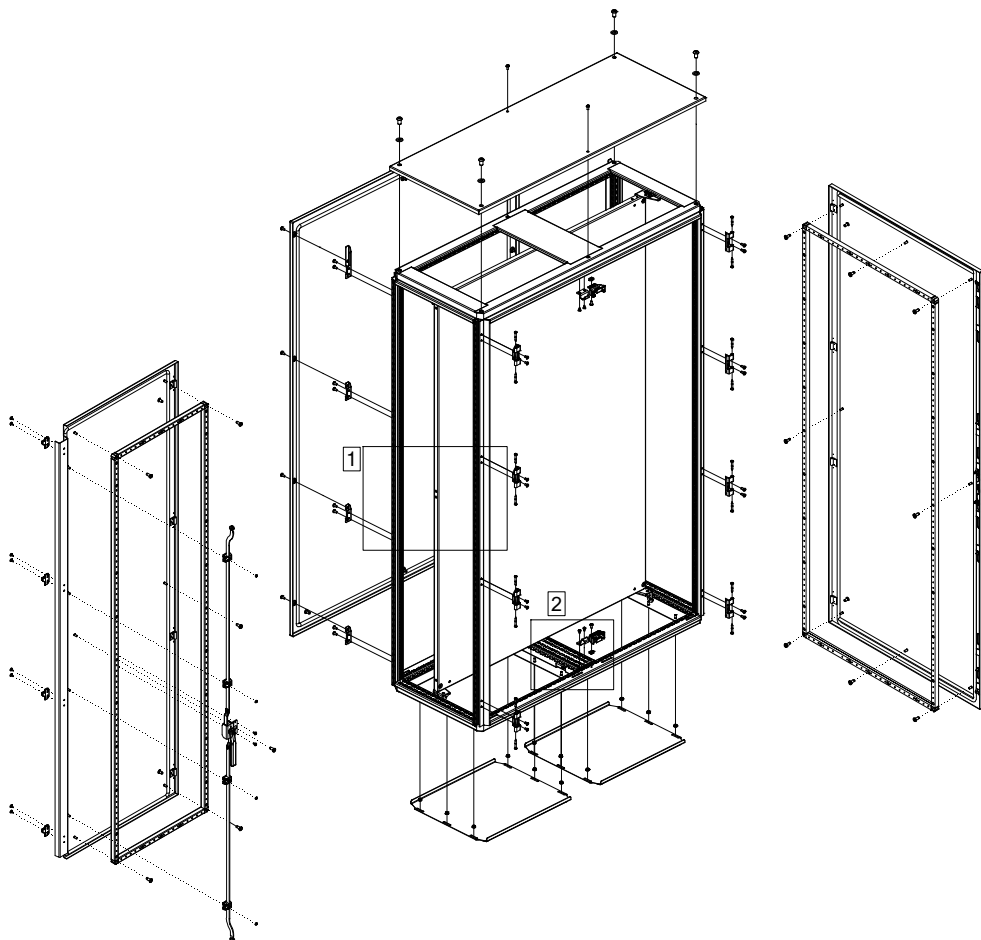
**WARNING:** When mounting on or over a combustible surface, a floor plate of at least 1.43 mm galvanized or 1.6 mm uncoated steel extended at least 150 mm beyond the equipment on all sides must be installed.

**WARNING:** In order to maintain the environmental integrity of the enclosure, devices with the same environmental ratings shall be used to close openings in customized enclosure.

# MCSS



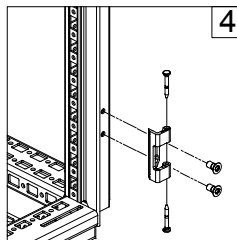
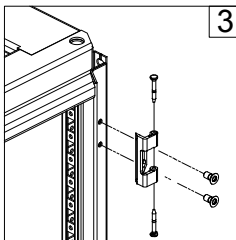
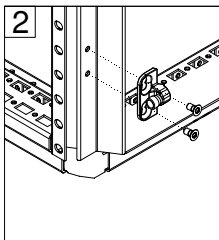
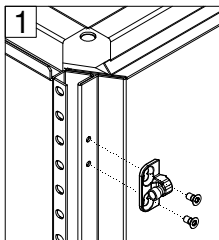
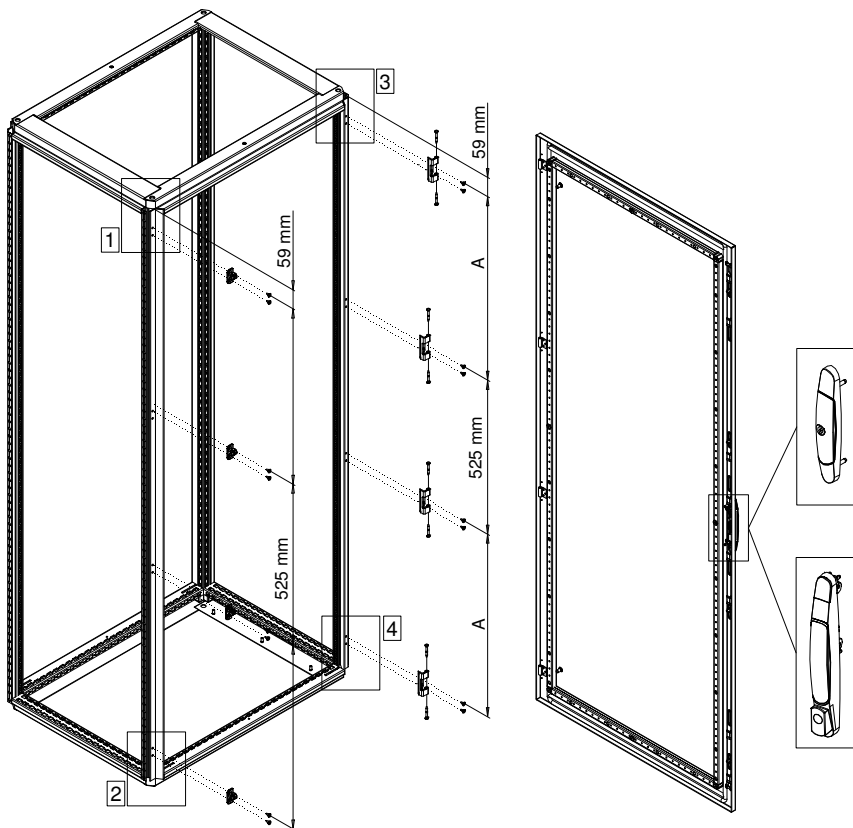
# MCDS



# COMBINABLE ENCLOSURE

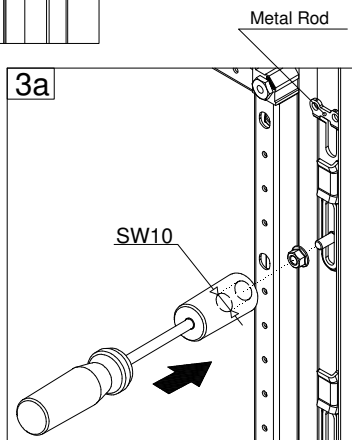
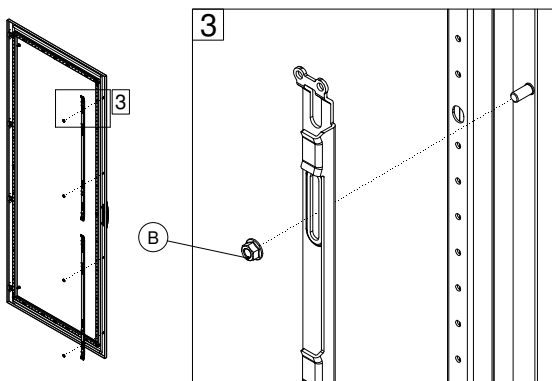
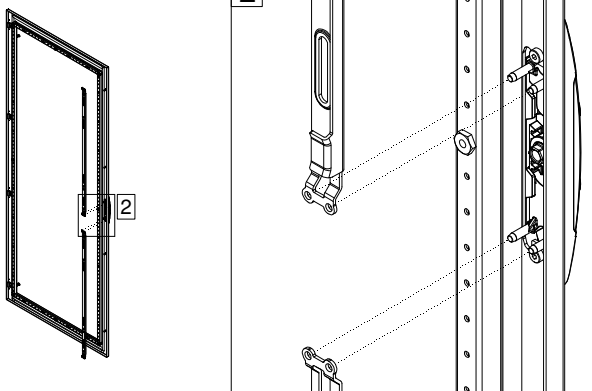
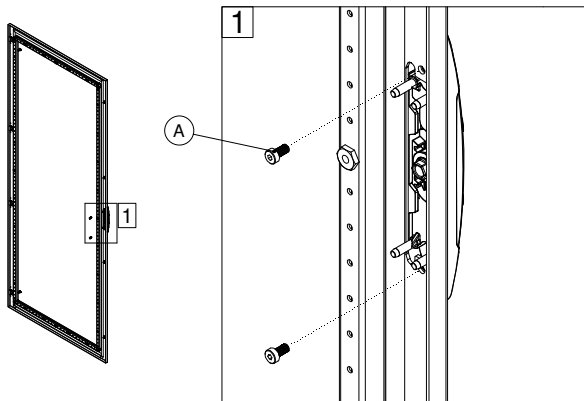


H	A
1800	525
2000	625

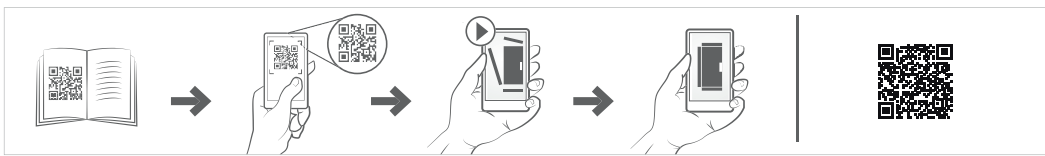
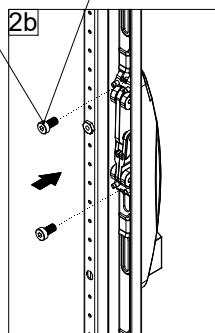
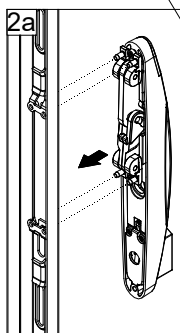
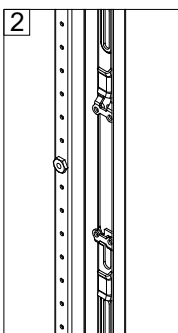
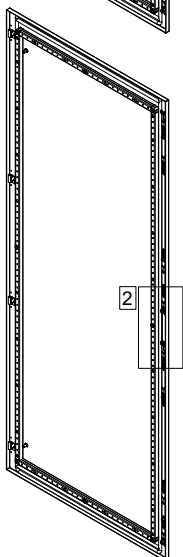
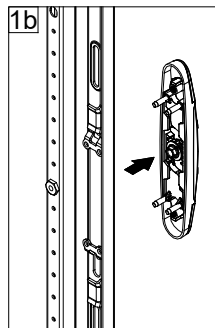
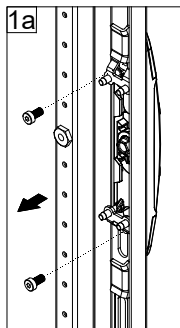
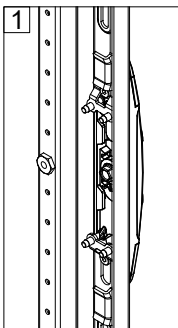
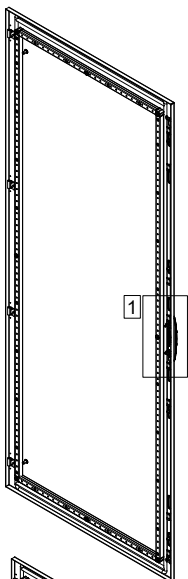




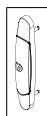
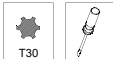
Ref.	Pic.	Qty.
A	M5x10	2
B	M5	4



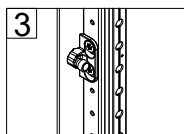
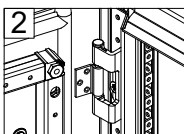
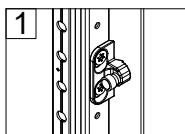
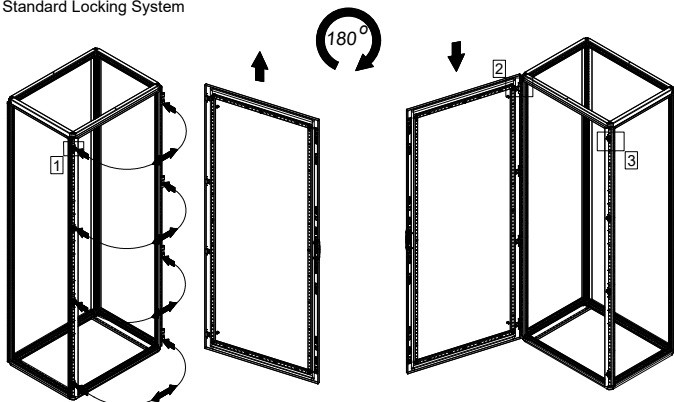
## MOUNTING THE LIFT HANDLE



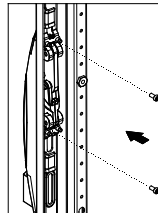
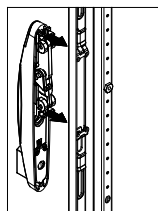
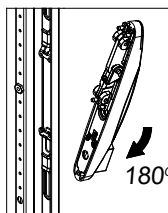
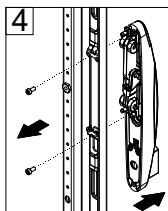
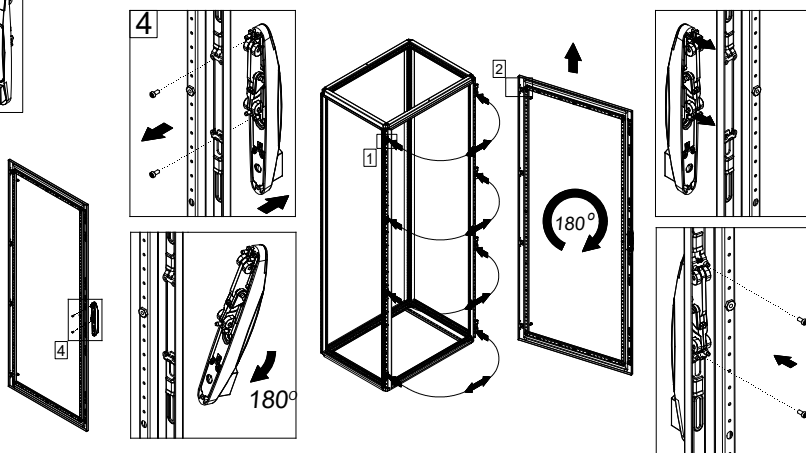




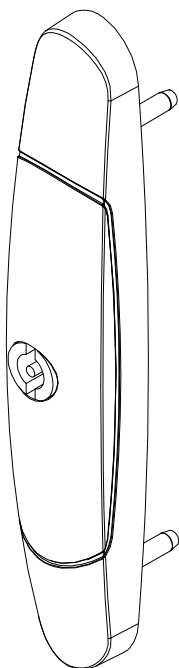
Standard Locking System



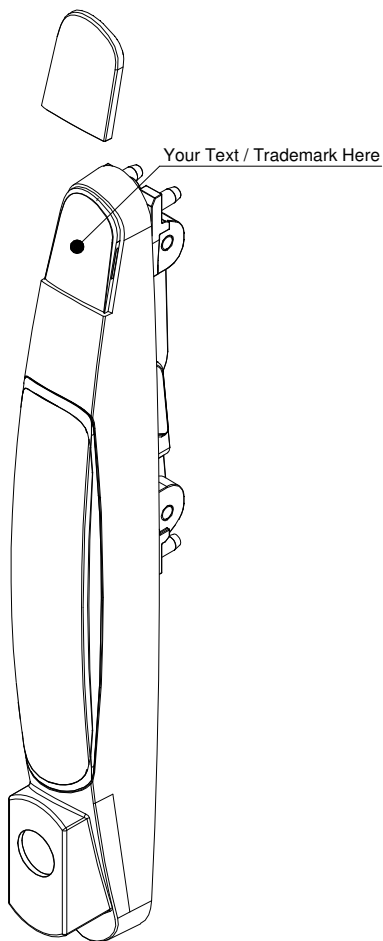
Lift Handle Locking System



Standard Locking System

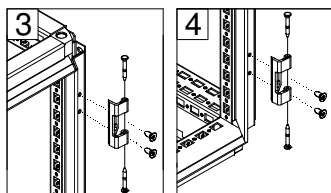
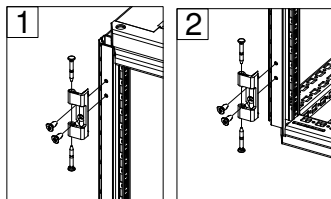
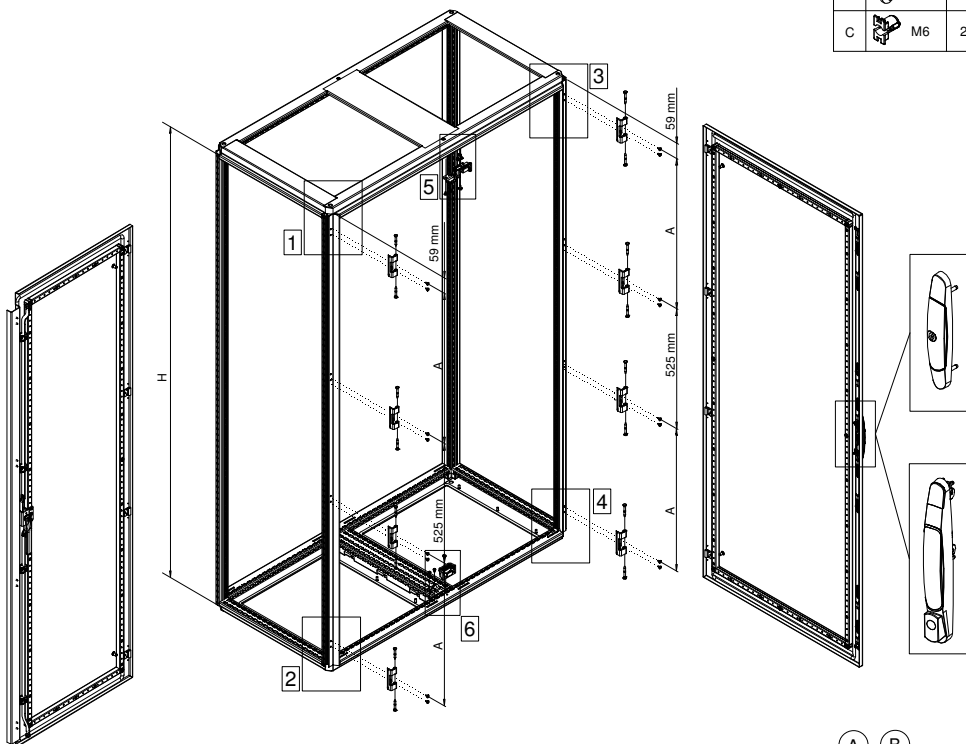


Lift Handle Locking System

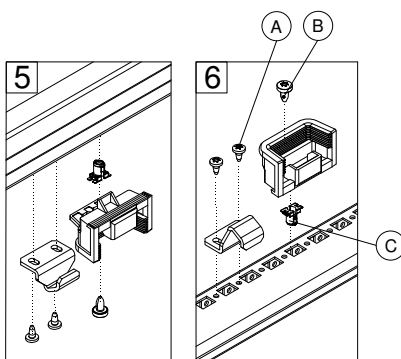




Ref.	Pic.	Qty.
A		20
B		2
C		2



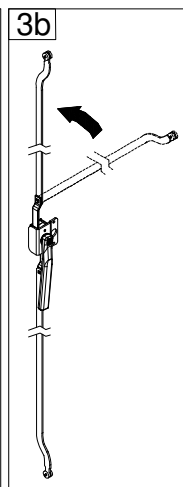
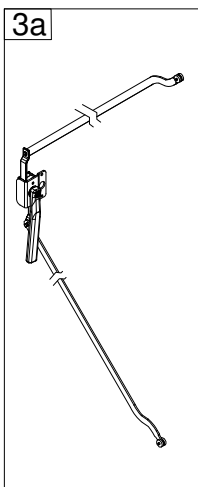
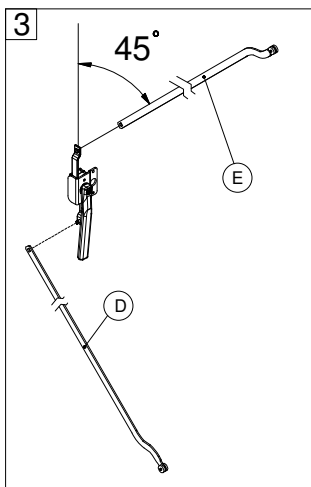
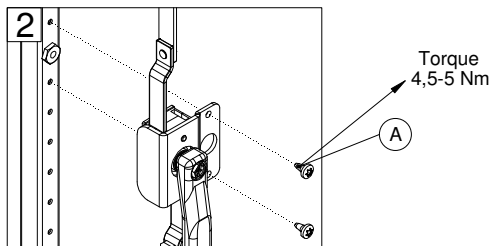
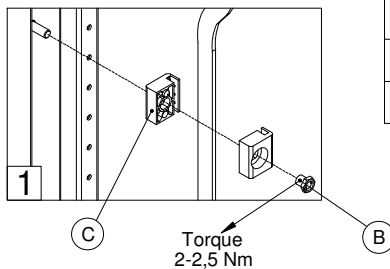
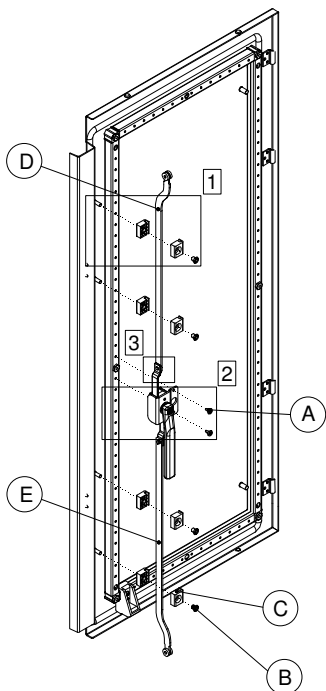
H	A
1100	175
1400	325
1600	425
1800	525
2000	625
2200	725



# MOUNTING LSEL

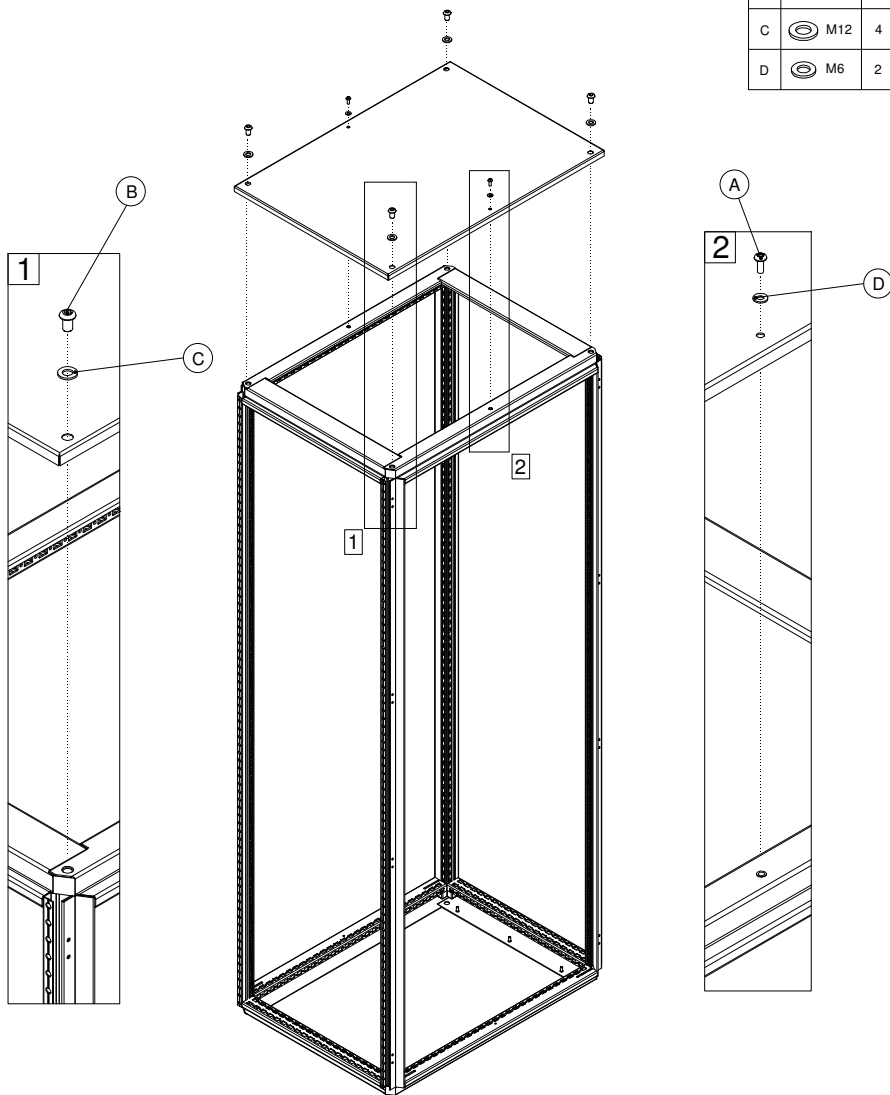


Ref.	Pic.	Qty.
A		6
B		4
C		8
D		1
E		1





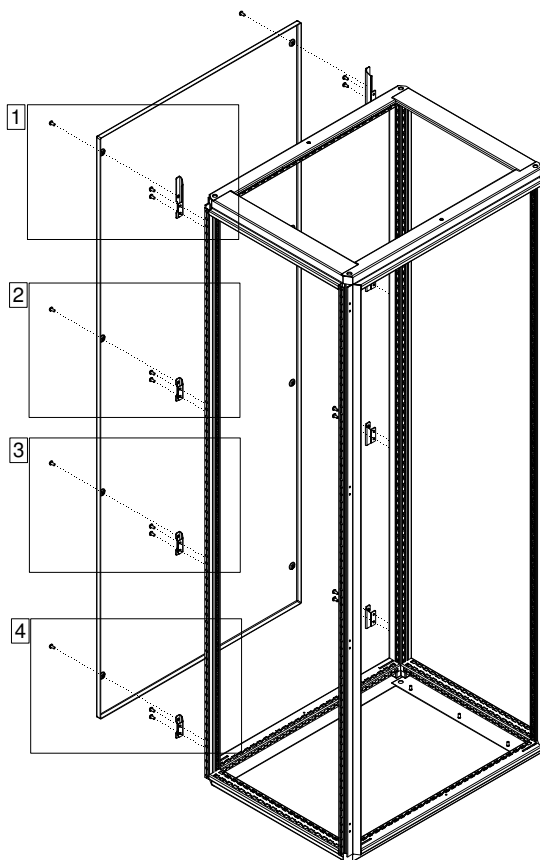
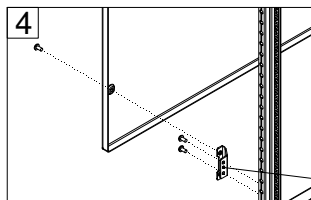
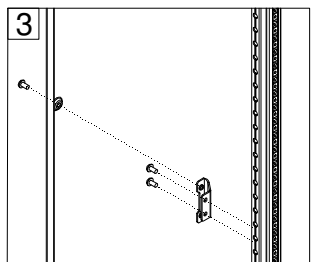
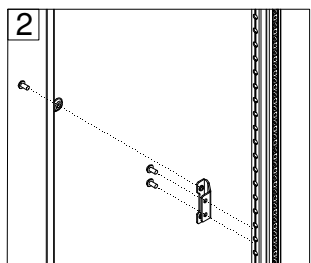
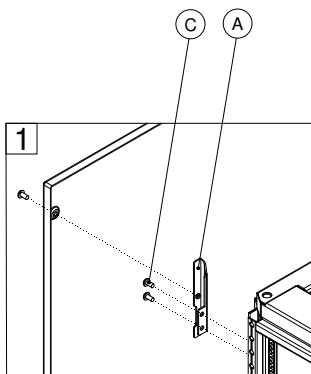
Ref.	Pic.	Qty.
A	M6x12	2
B	M6x12	8
C	M12	4
D	M6	2



# MCSS REAR PANEL



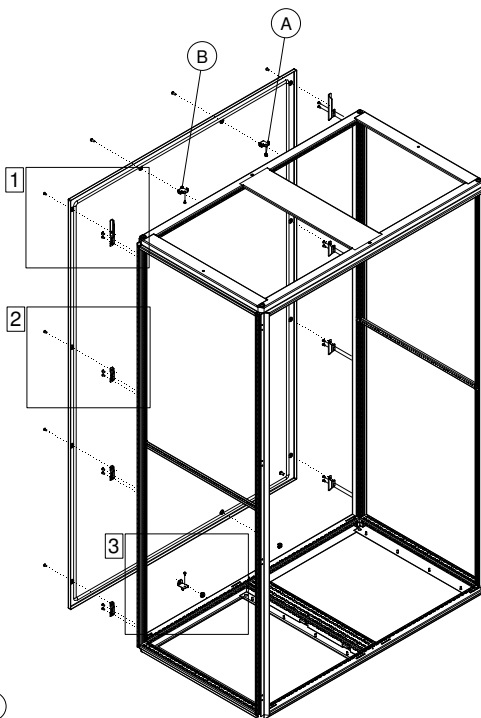
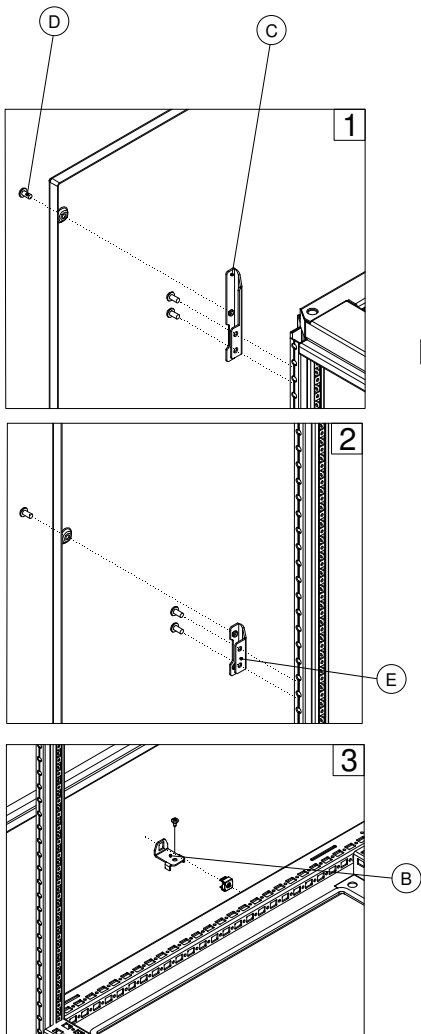
Ref.	Pic.	Qty.
A		2
B		6
C		24



# MCDS REAR PANEL





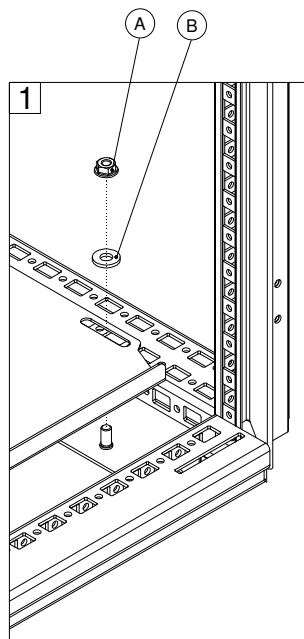
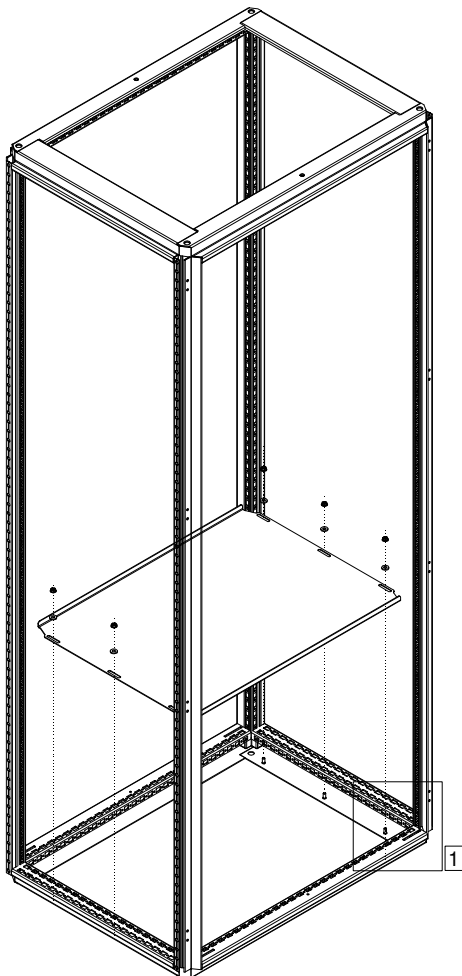
Ref.	Pic.	Qty.
A		4
B		4
C		2
D		32
E		6



# BOTTOM PLATE



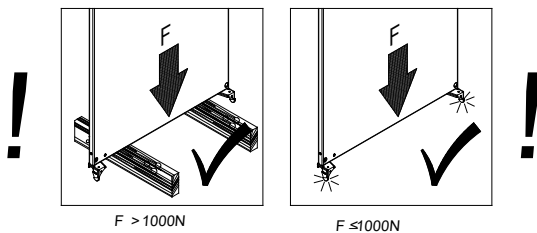
Ref.	Pic.	Qty.
A		6
B		6



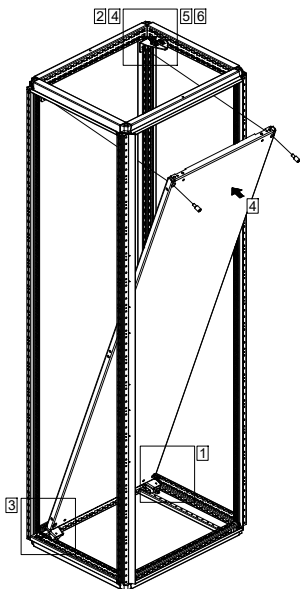
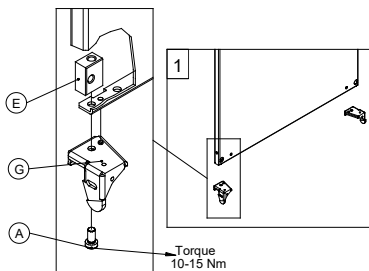




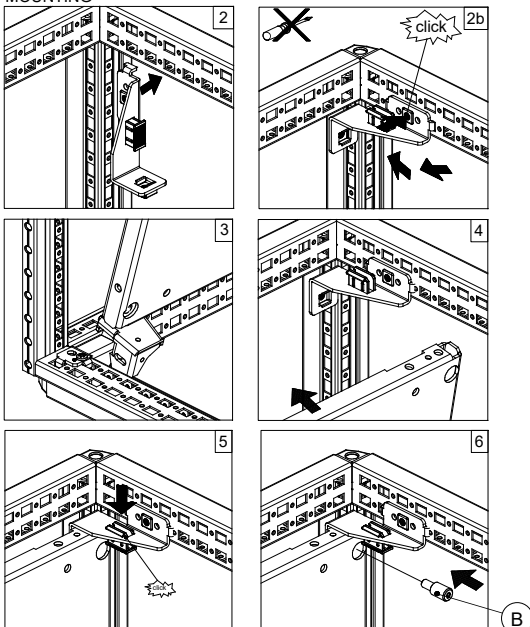
# MOUNTING PLATE



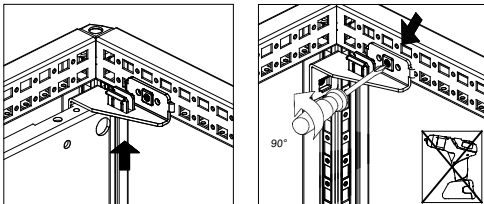
Ref.	Pic.	Qty.
A		2
B		2
C		2
D		1
E		1
F		1
G		1



## MOUNTING






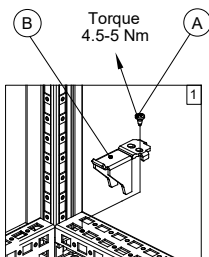
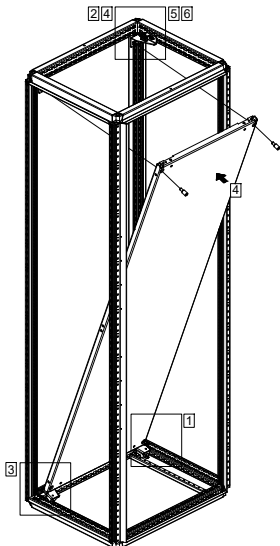
## UNMOUNTING



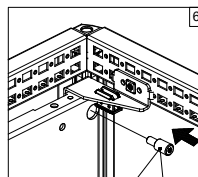
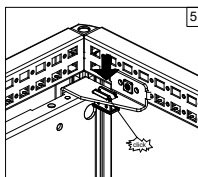
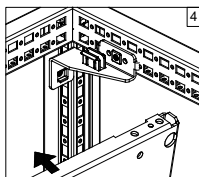
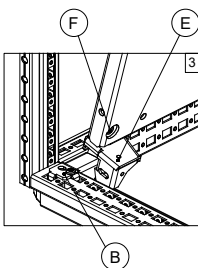
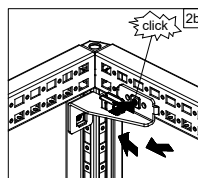
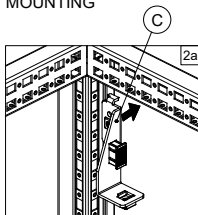
MPD02



Ref.	Pic.	Qty.
A	 MSX12	2
B	 Bottom left	1
C	 Bottom right	1

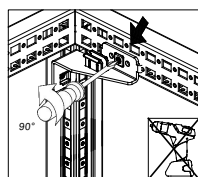
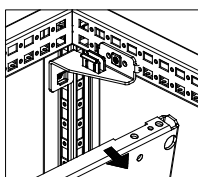
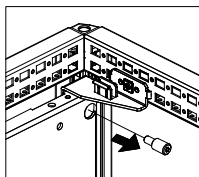
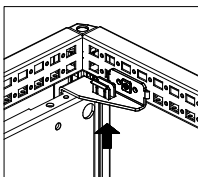


MOUNTING






D Torque 4.5-5 Nm

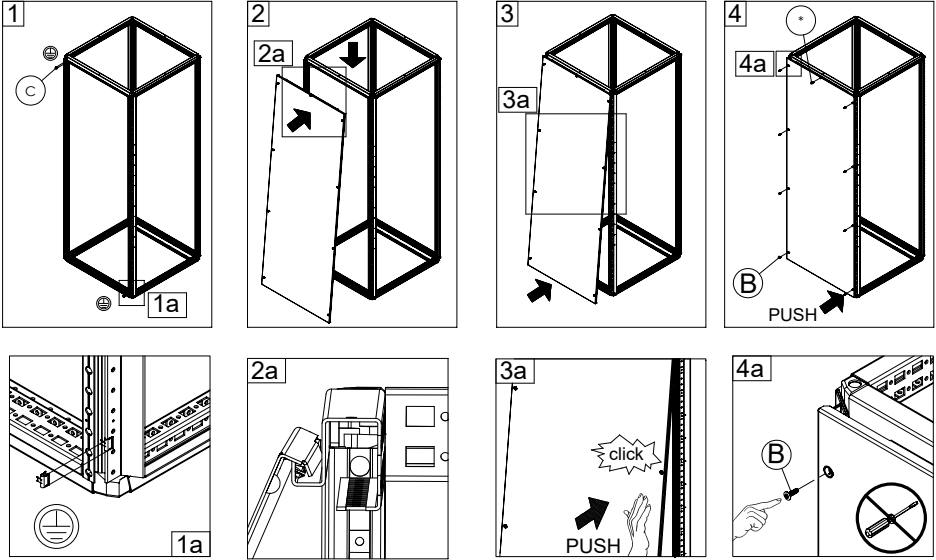
UNMOUNTING



## SPMS

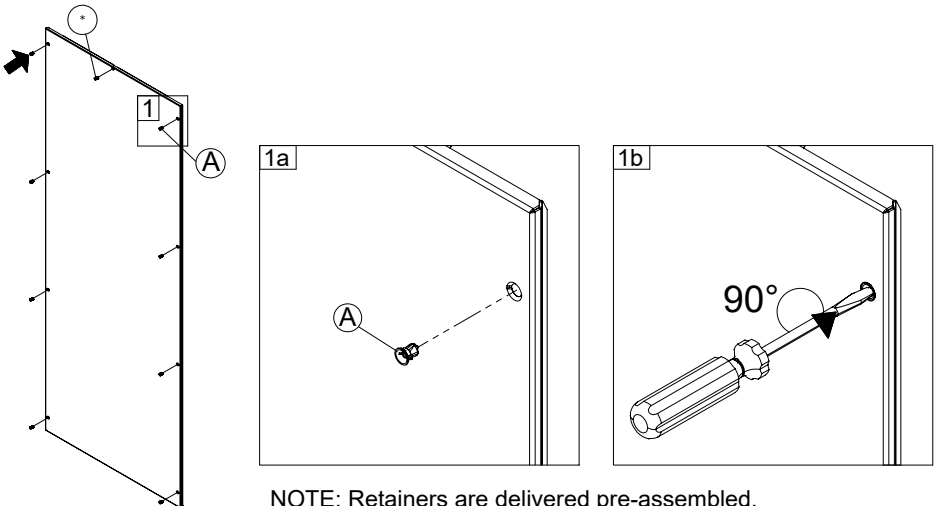
Ref.	Pic.	Qty.
A		6/8/9
B	 M4x14	6/8/9
C		2

### Side panel mounting






\* - Used only on enclosures 800 mm deep and above.

### Retainer mounting

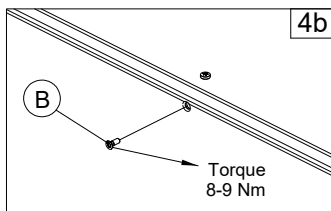
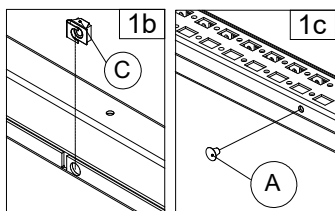
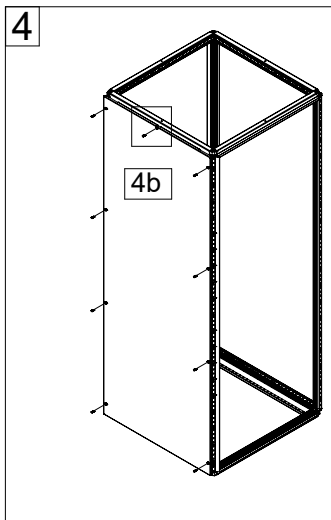
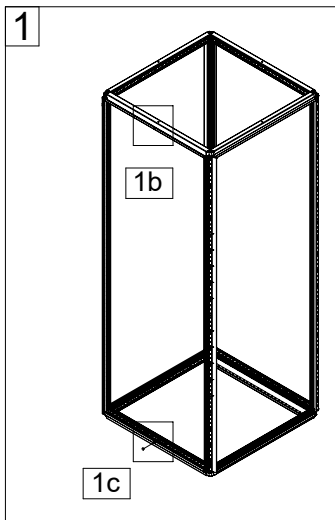


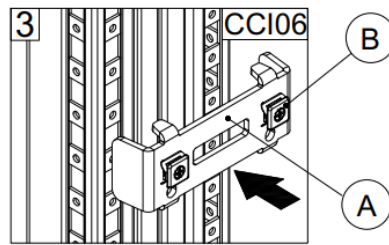
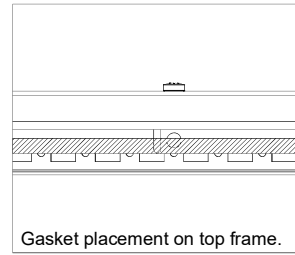
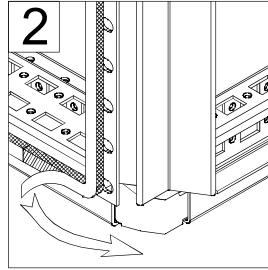
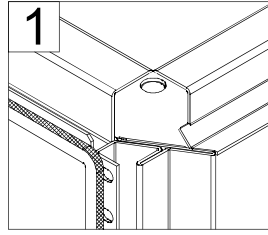
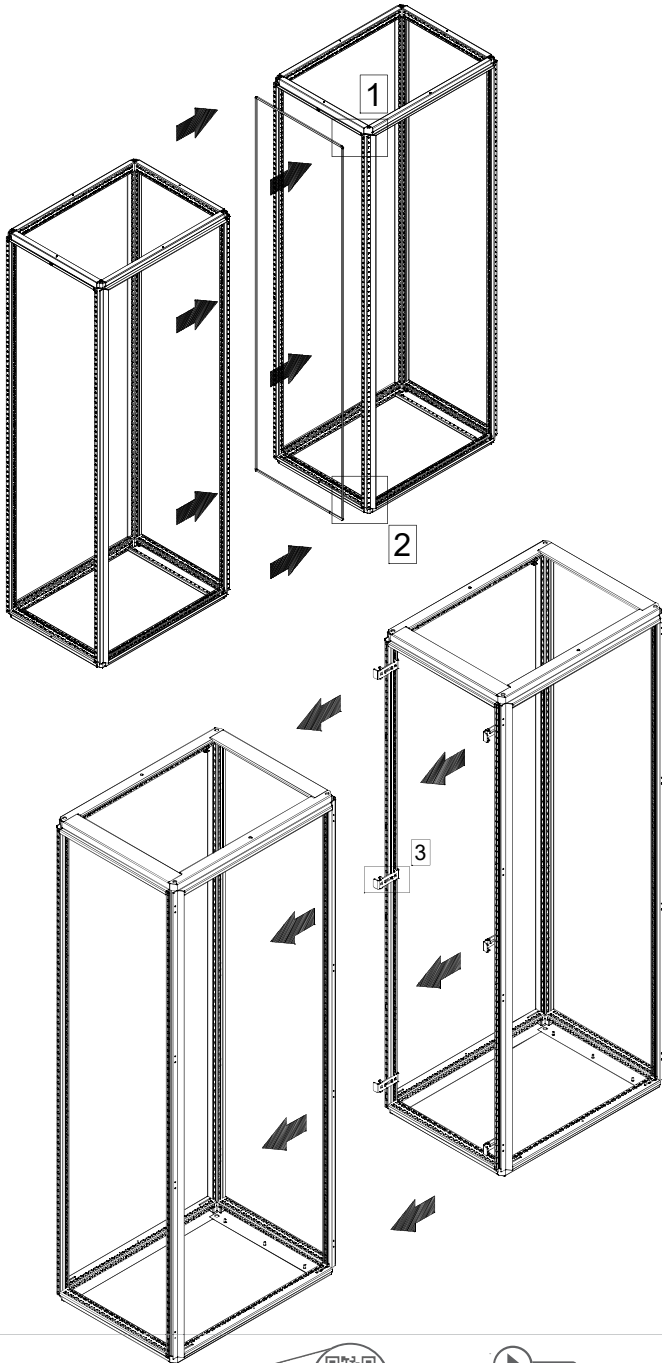
NOTE: Retainers are delivered pre-assembled.

# SPMS

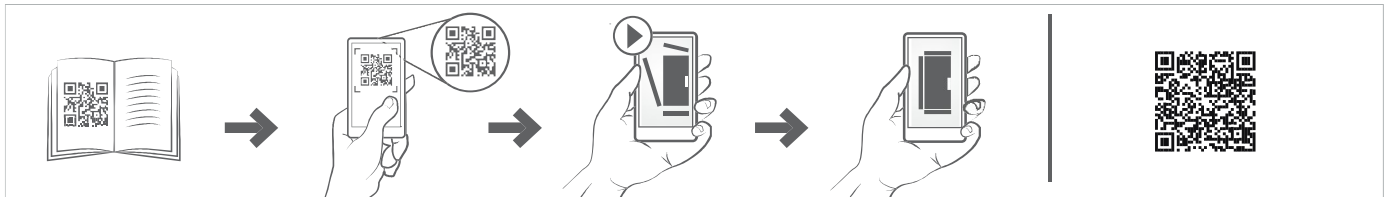
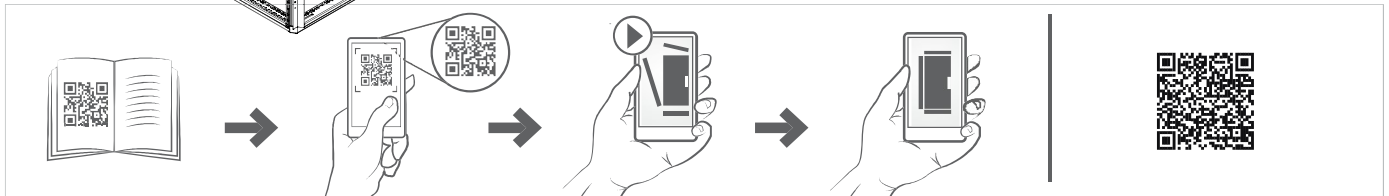
Ref.	Pic.	Qty.
A		1
B	 M6x16	1
C		1

For the old design frame (800 mm in depth or more), the following additional steps are required:



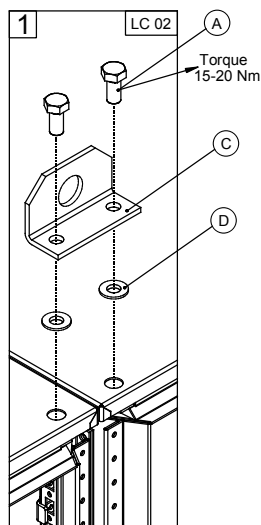
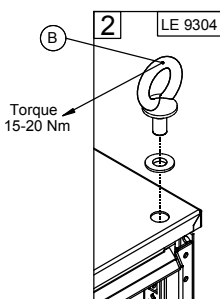
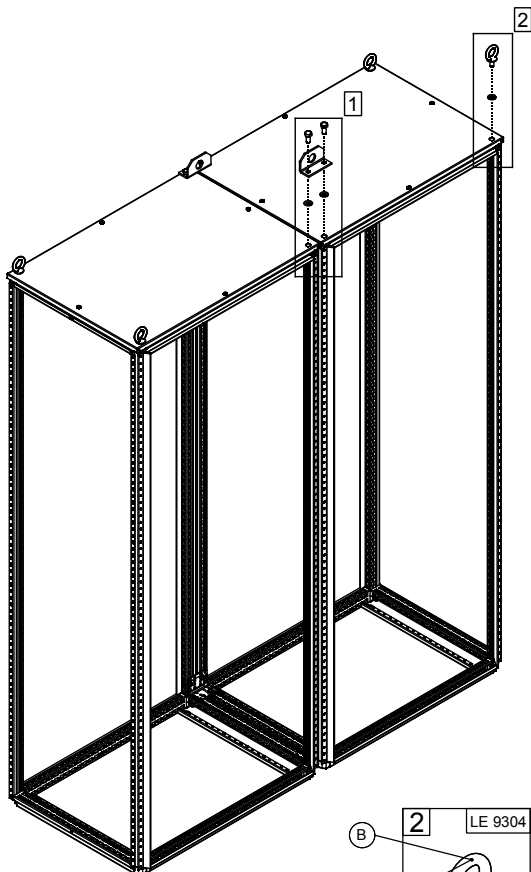


Ref.	Pic.	Qty.
A		6
B		12





Ref.	Pic.	Qty.
A		4
B		4
C		2
D		4

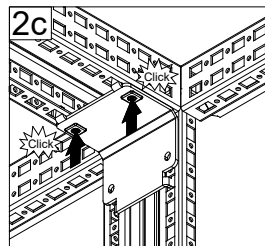
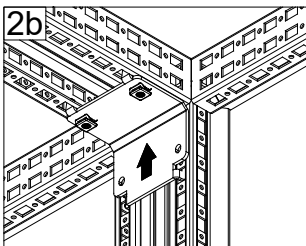
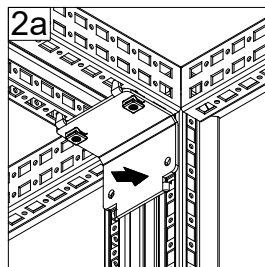
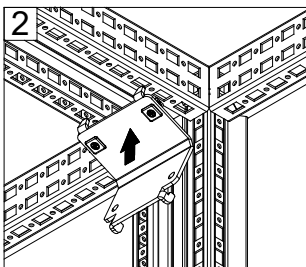
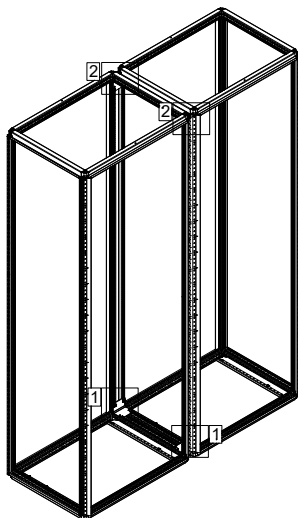
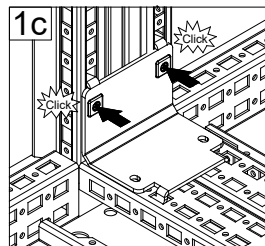
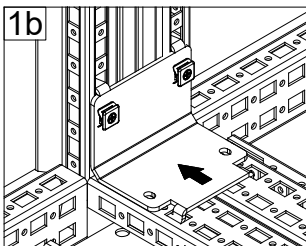
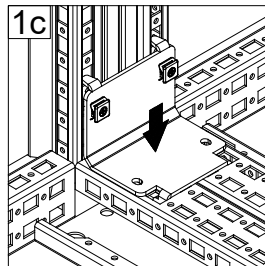
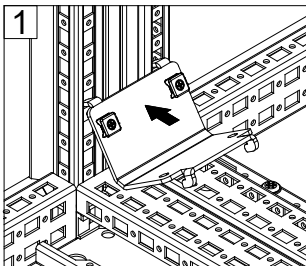
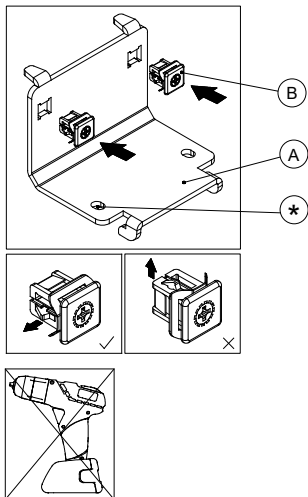


# CCM 04



Ref.	Pic.	Qty.
A		4
B		8





## MOUNTING

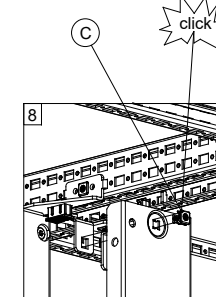
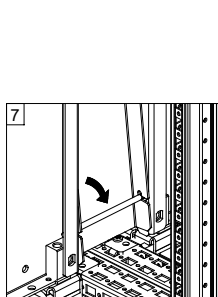
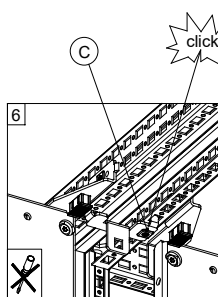
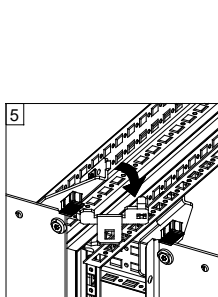
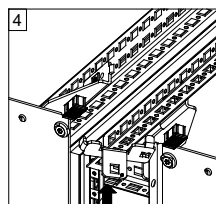
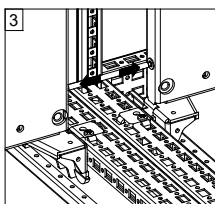
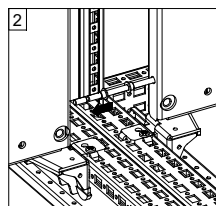
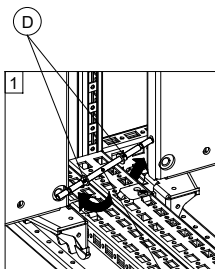
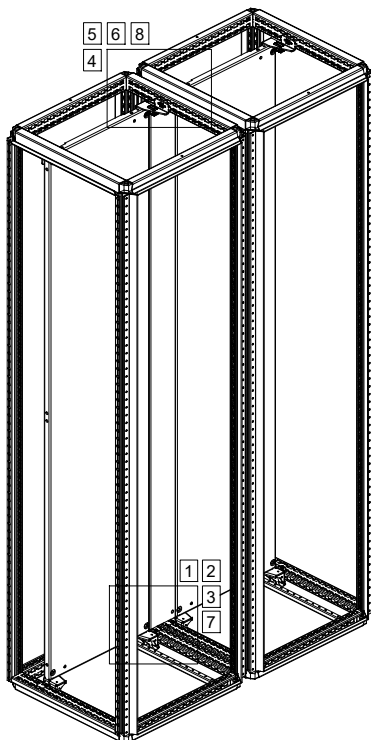


Note: It is mandatory for all four brackets to be installed at all four corners !

★ The fixation holes can be used to better fix the bracket to the frame, using cage nuts and screws !

# MPF

Ref.	Pic.	Qty.
A		1
B		1
C		2
D		2

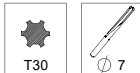



Back view

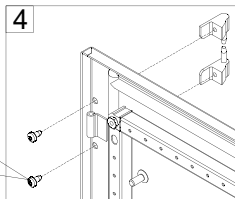
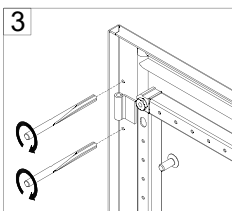
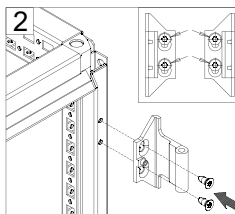
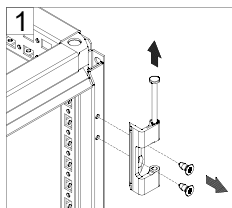
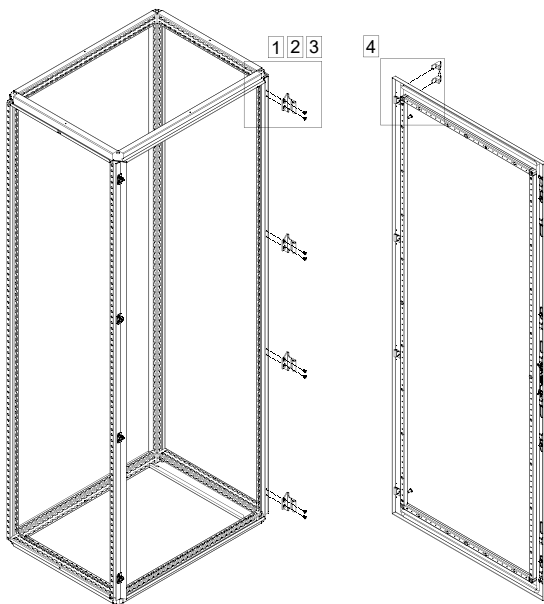




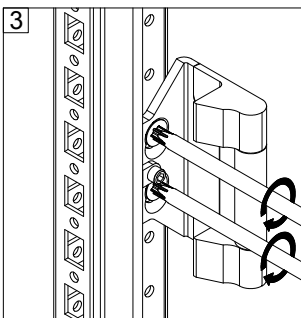
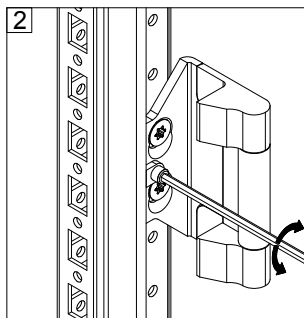
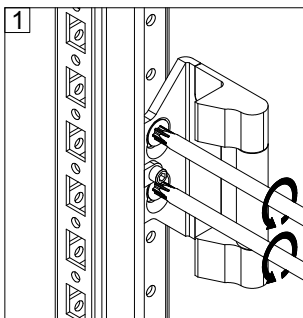
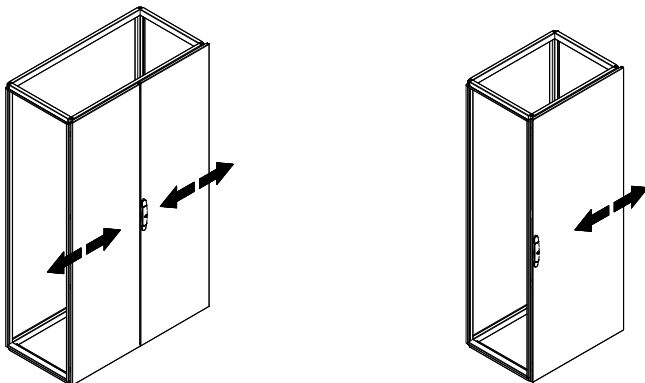
# DHN 180

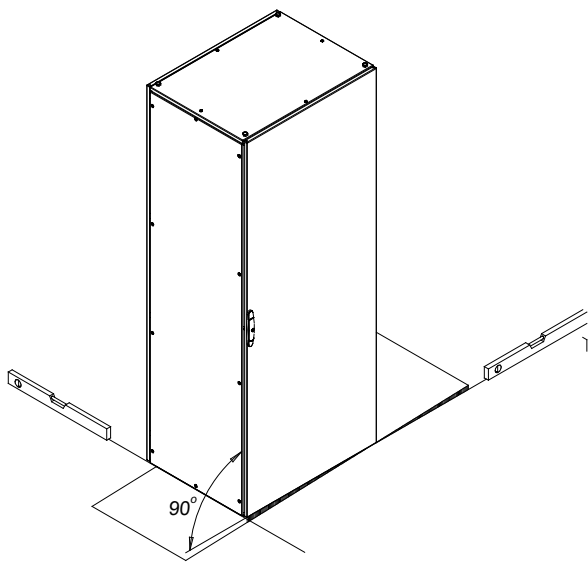
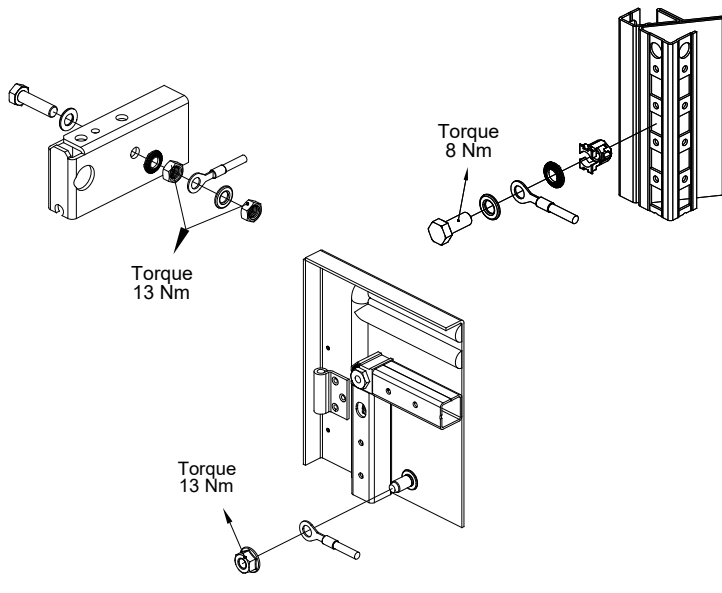


Ref.	Pic.	Qty.
A	 M6x12	8

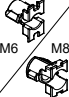


## DHN 180 Door adjustment





# CNM

Ref.	Pic.	Qty.
A		1

