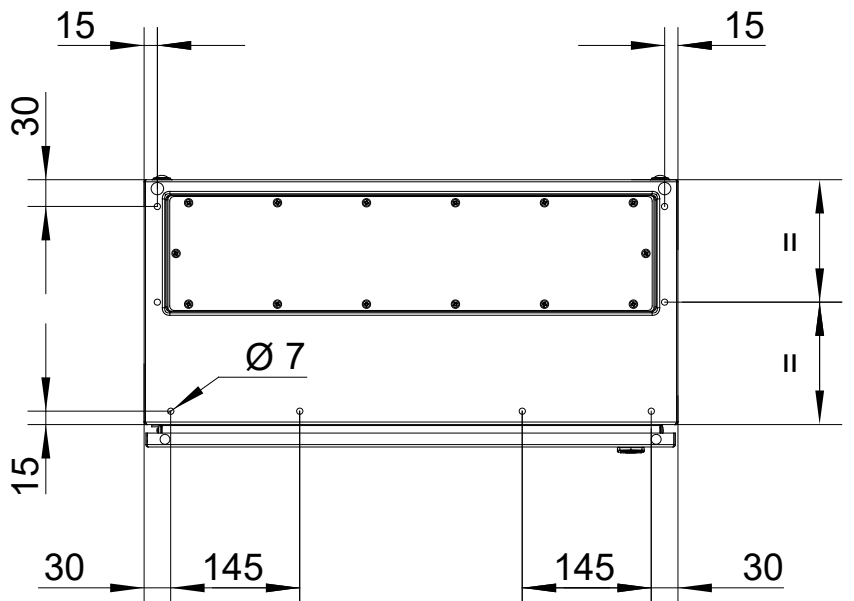
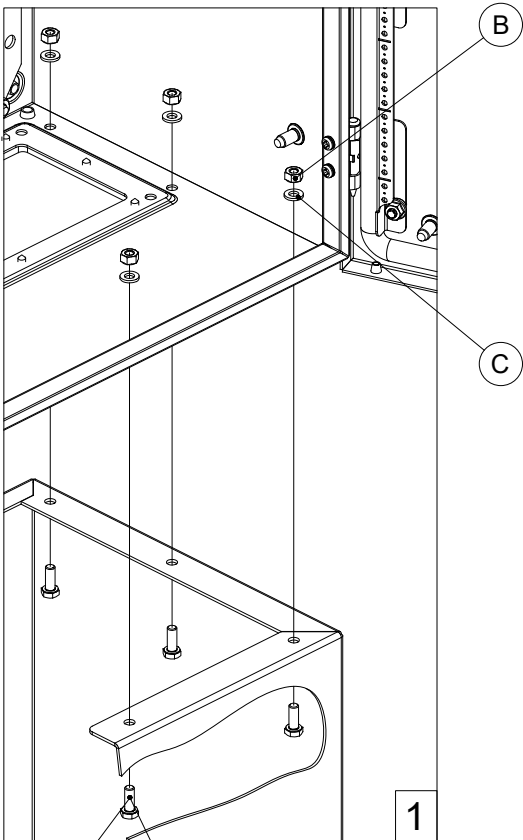
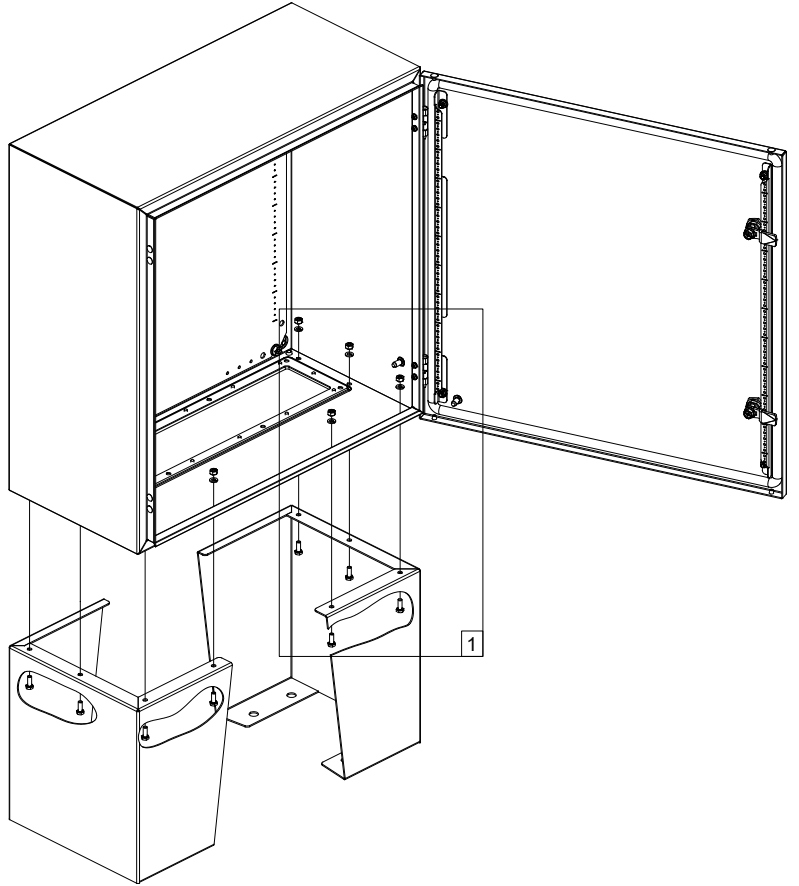
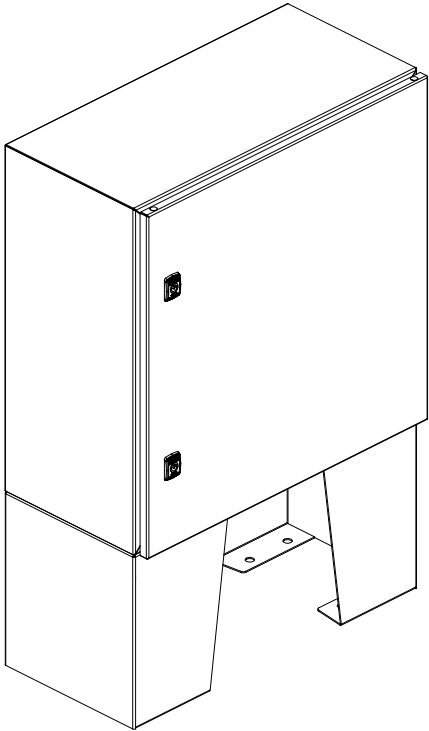


# PFF

| Ref. | Pic. | Qty. |
|------|------|------|
| A    |      | 8    |
| B    |      | 8    |
| C    |      | 8    |



A Torque 5-5,5 Nm