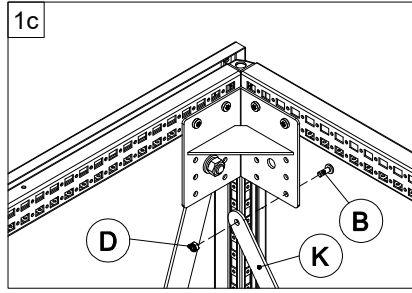
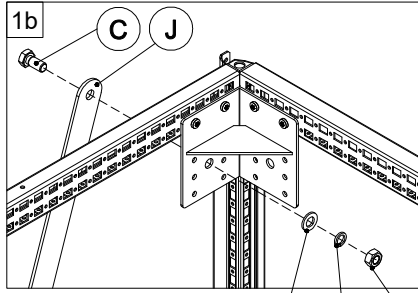
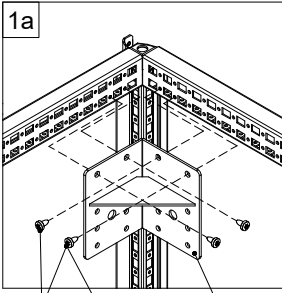
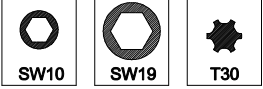
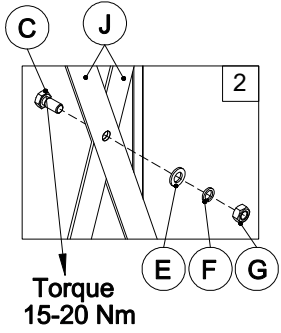
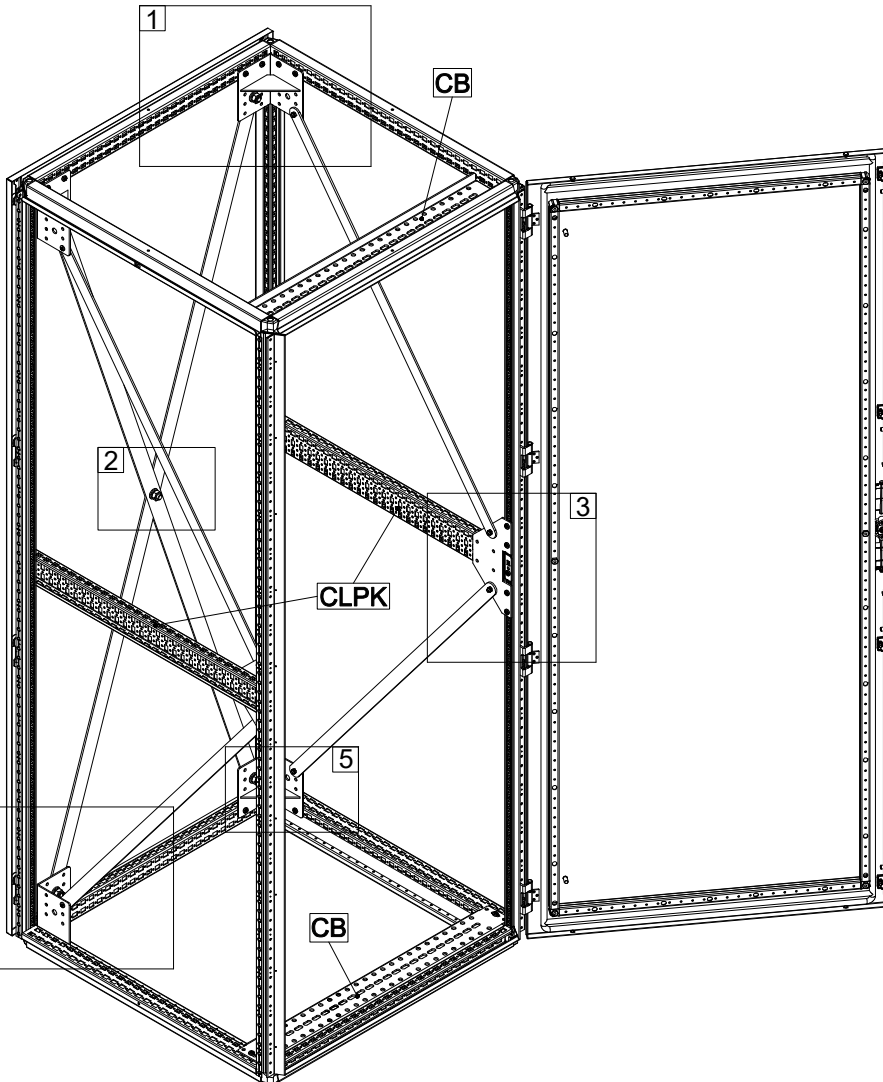


SBK

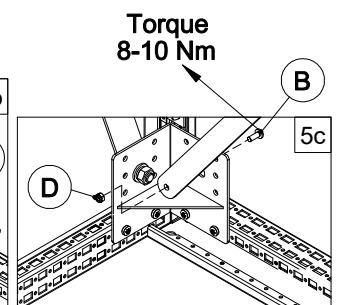
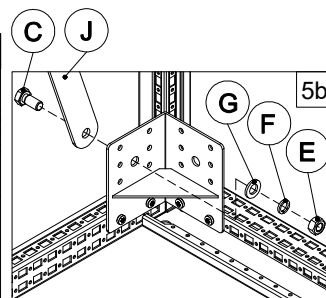
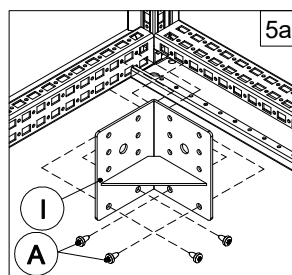
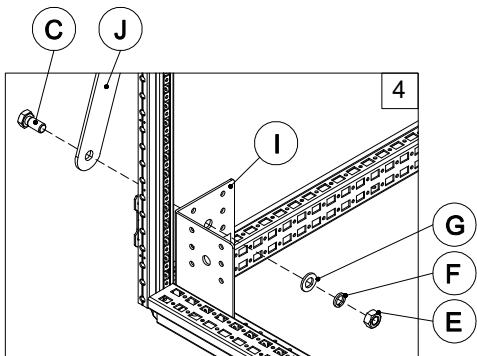
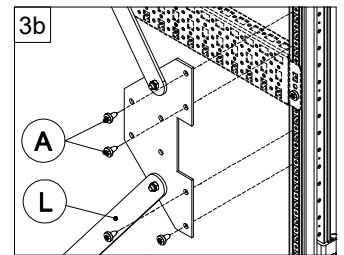
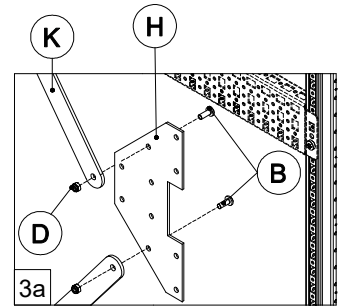


Torque
10-12 Nm

Ref.	Pic.	Qty.
A		24
B		8
C		5
D		8
E		5
F		5
G		5
H		2
I		4
J		2
K		2
L		2



Torque
15-20 Nm



Torque
8-10 Nm