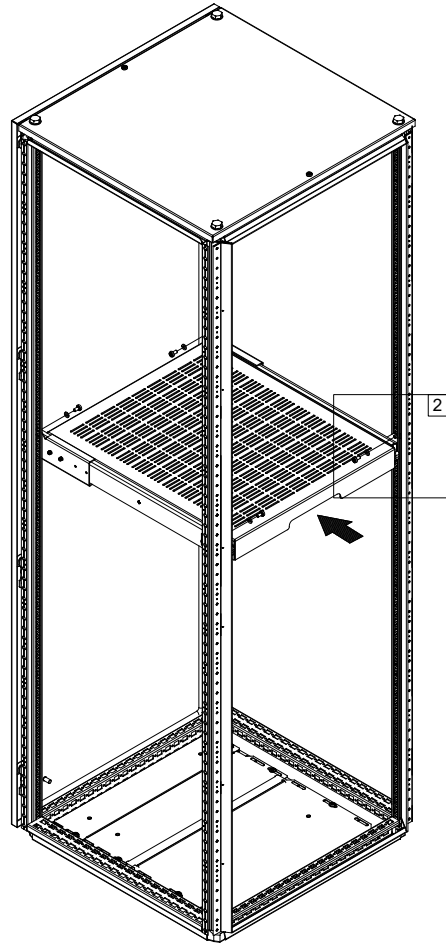
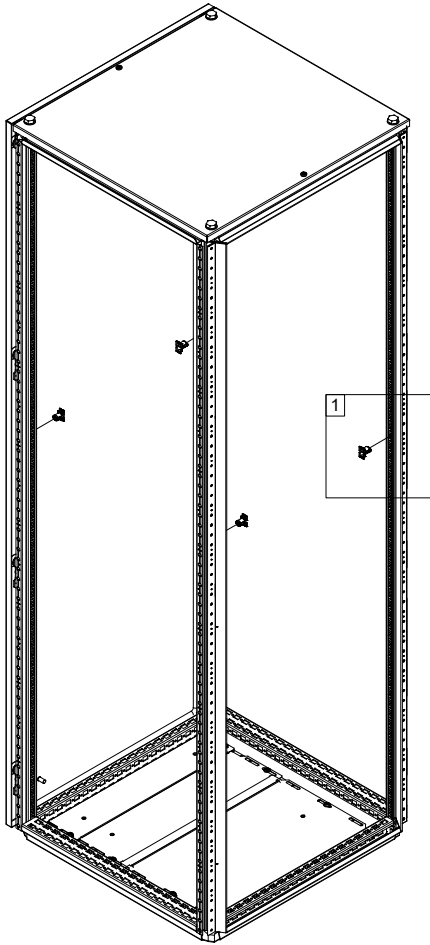
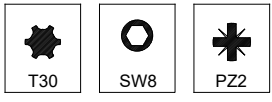
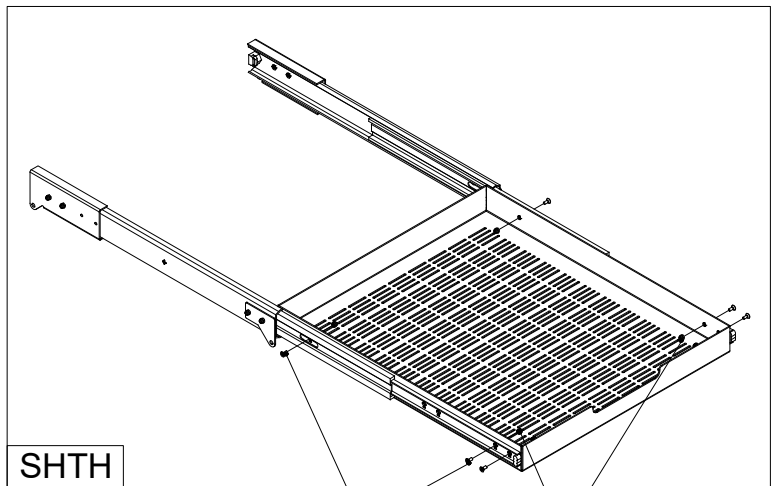
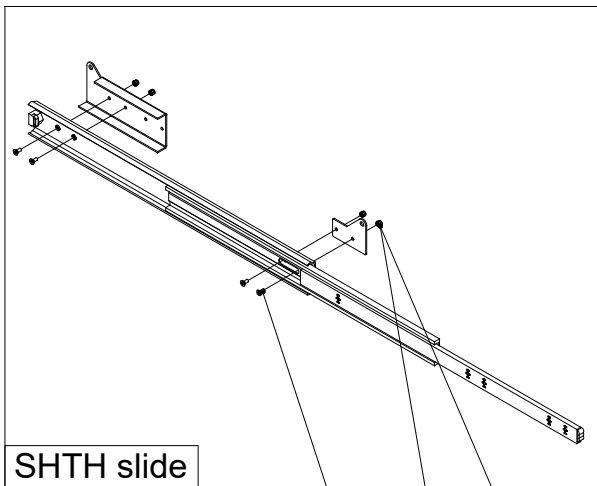
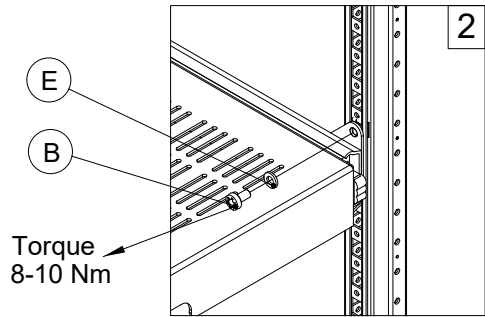
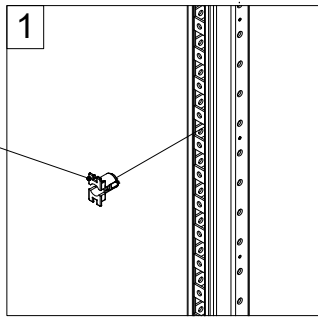


# SHTH



Ref.	Pic.	Qty.
A		16
B		4
C		16
D		4
E		4
F		2
G		2



Torque 3-3,5 Nm