

FIBERGLASS FREE-STAND, TYPE 4X

SPECIFICATIONS

- Fiberglass-reinforced polyester material has excellent temperature and chemical resistance and exhibits outstanding physical properties. Epoxy vinyl ester material can be requested instead for protection against extremely corrosive chemical environments.
- Fiberglass material is easily punched, drilled, filed or sawed
- Models have either a 3-point latching system with handle or stainless steel captivated door screws
- Gasket assures watertight and dust-tight seal
- Painted steel top, bottom and side internal reinforcements standard; stainless steel corner reinforcements optional
- Heavy-duty Type 316 stainless steel lifting eyes
- Accessory mounting channels attached horizontally to interior body sides at top, bottom and center. Painted mounting channels standard; stainless steel optional.
- Panels and rack-mounting angles can be mounted anywhere along corner channels; panels can be mounted on sides or back
- Hinges are corrosion-resistant fiberglass with Type 316 stainless steel hinge pins
- Large, high-impact thermoplastic data pocket (12.00 x 12.00 in. or 305 x 305 mm) is provided
- Molded-in angular sealing flange directs water away from gasket area
- Type 316 stainless steel POWERGLIDE Handle on handle versions
- Material is halogen free

FINISH

Standard fiberglass enclosure is gray inside and gel coated gray on the outside. Optional mild-steel panels are painted white. Optional conductive panels are unpainted.

ACCESSORIES

See also Accessories.

- Floor Stand Kit
- H2Omit Vent Drains, Type 4X
- H2Omit Thermoelectric Dehumidifier
- HOL-SEALERS Non-Metallic Hole Seals

MODIFICATION AND CUSTOMIZATION

Hoffman excels at modifying and customizing products to your specifications. Contact your local Hoffman sales office or distributor for complete information.

BULLETIN: A17

INDUSTRY STANDARDS

UL 508A Listed; Type 3, 3R, 4, 4X, 12; File No. E61997
 cUL Listed per CSA C22.2 No 94; Type 3, 3R, 4, 4X, 12; File No. E61997
 Enclosure flammability evaluated per UL 508A

NEMA Type 3, 3R, 4, 4X, 12, 13
 E.I.A. RS-310-D
 IEC 60529, IP66

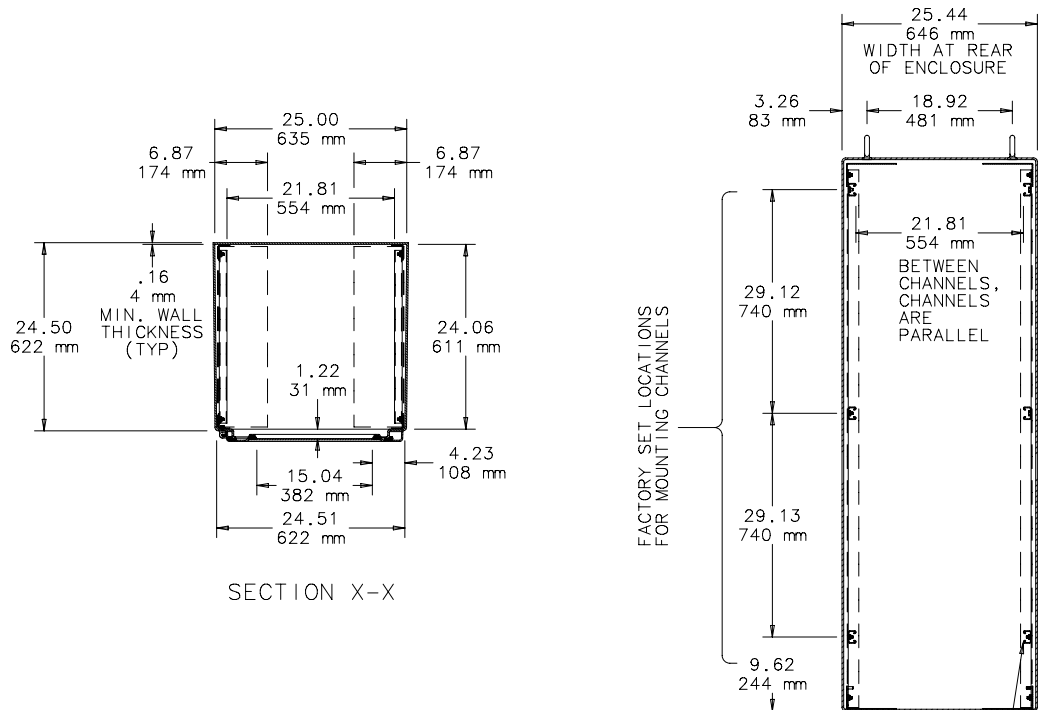
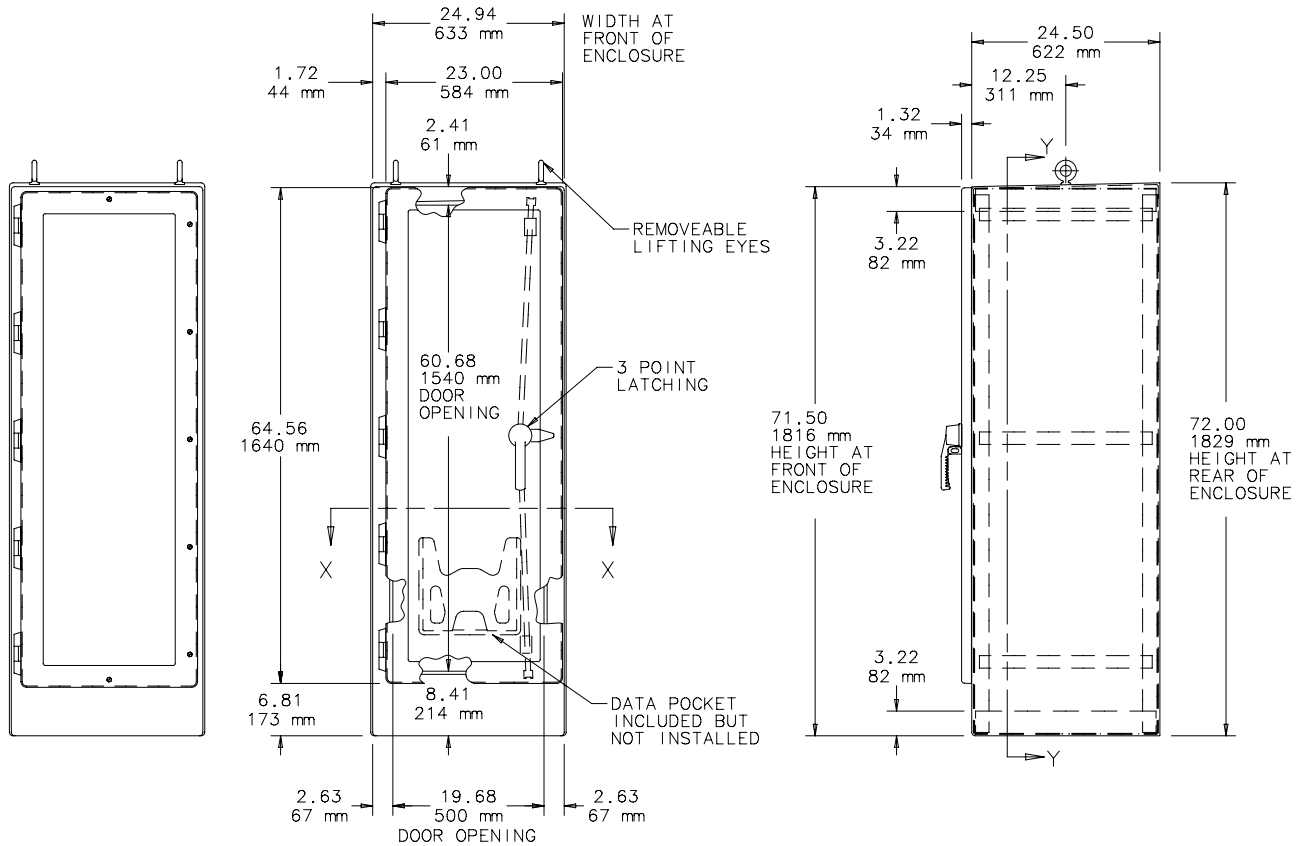
Meets NEMA Type 3RX requirements

APPLICATION

An economical housing for corrosive environments, single-door, free-stand enclosures provide a versatile solution for applications that require flexibility when mounting panels and racks. Benefits include easy access to equipment, larger capacity for control systems, steel reinforcements for stability and strength, captivated door screws and an optional POWERGLIDE Handle for secure latching.

Standard Product

| Catalog Number | AxBxC in. | AxBxC mm | Description | Estimated Ship Wt. (lb.) | Estimated Ship Wt. (kg) |
|----------------|-----------------------|------------------|---|--------------------------|-------------------------|
| A722525FGFS | 72.00 x 25.00 x 24.50 | 1829 x 635 x 622 | Stainless steel captivated door screws | 215 | 97.5 |
| A722525FGFS3PT | 72.00 x 25.00 x 24.50 | 1829 x 635 x 622 | 3-point latching system/Type 316 stainless steel handle | 215 | 97.5 |



NOTE: Door opens 175°.

MOUNTING CHANNELS FOR REGULAR PANELS, SWING OUT PANELS, AND RELAY RACK ANGLES, CHANNELS ARE REMOVEABLE AND CAN BE REPOSITIONED

ACCESSORY SELECTION FOR FREE-STAND, TYPE 4X

For details, see Accessories chapter.

BULLETIN: A17Y, A80, D10, PNL30

Panels

| Catalog Number | Description | Size (in.) | Size (mm) |
|----------------|------------------------|---------------|------------|
| A72P24F1 | Full Panel, Steel | 60.00 x 20.00 | 1524 x 508 |
| A72P24F2 | Half Panel, Steel | 30.88 x 20.00 | 784 x 508 |
| A72P24F1G | Full Panel, Conductive | 60.00 x 20.00 | 1524 x 508 |
| A72P24F2G | Half Panel, Conductive | 30.88 x 20.00 | 784 x 508 |

Purchase panels and accessories separately.

Swing-Out Panels

| Catalog Number | Description | Size (in.) | Size (mm) |
|----------------|----------------------|---------------|------------|
| A72SP24F3 | Full Swing-Out Panel | 60.00 x 18.19 | 1524 x 462 |
| A72SP24F4 | Half Swing-Out Panel | 30.88 x 18.19 | 784 x 462 |

Purchase panels and accessories separately.

Half Swing-Out Panel fits in top or bottom half of enclosure.

Side-Mounted Panels

| Catalog Number | Description | Size (in.) | Size (mm) |
|----------------|--------------------------------------|---------------|------------|
| A72SMP14 | 14.00 inch (356mm) Wide Panel, Steel | 60.00 x 14.00 | 1524 x 356 |
| A72SMP20 | 20.00 inch (508mm) Wide Panel, Steel | 60.00 x 20.00 | 1524 x 508 |

RACK MOUNTING ACCESSORY SELECTION FOR FREE-STAND, TYPE 4X

For details, see Accessories chapter.

BULLETIN: A80, P20

Rack Mounting Angles

| Catalog Number | Description | Length (in.) | Length (mm) | Units |
|----------------|----------------------------------|--------------|-------------|-------|
| A72RP24F5 | Two Full-Length Angles (Type RP) | 61.25 | 1556 | 35 |
| A72RP24F6 | Two Half-Length Angles (Type RP) | 31.50 | 800 | 18 |
| A60RA19TH | Two Full-Length Angles (Type RA) | 49.00 | 1245 | 28 |
| A72RA19TH | Two Full-Length Angles (Type RA) | 61.25 | 1556 | 35 |

Purchase accessories separately.

1 unit = 1.75 in. (44mm)

Clip Nut Package

| Catalog Number | Description | Package Qty | Size |
|----------------|--------------------|-------------|--|
| AN1032 | #10-32 Zinc-Plated | 20 | Fits U-Style (Type RA) Rack Mounting Angle |

Purchase accessories separately.

Rack Panels

| Catalog Number | Description | Size (in.) | Size (mm) | Units |
|----------------|-------------|---------------|-----------|-------|
| P19RP1UA | Aluminum | 19.00 x 1.75 | 483 x 44 | 1 |
| P19RP1UP | Steel | 19.00 x 1.75 | 483 x 44 | 1 |
| P19RP2UA | Aluminum | 19.00 x 3.50 | 483 x 89 | 2 |
| P19RP2UP | Steel | 19.00 x 3.50 | 483 x 89 | 2 |
| P19RP3UA | Aluminum | 19.00 x 5.25 | 483 x 133 | 3 |
| P19RP3UP | Steel | 19.00 x 5.25 | 483 x 133 | 3 |
| P19RP4UA | Aluminum | 19.00 x 7.00 | 483 x 178 | 4 |
| P19RP4UP | Steel | 19.00 x 7.00 | 483 x 178 | 4 |
| P19RP5UA | Aluminum | 19.00 x 8.75 | 483 x 222 | 5 |
| P19RP5UP | Steel | 19.00 x 8.75 | 483 x 222 | 5 |
| P19RP6UA | Aluminum | 19.00 x 10.50 | 483 x 267 | 6 |
| P19RP6UP | Steel | 19.00 x 10.50 | 483 x 267 | 6 |
| P19RP7UA | Aluminum | 19.00 x 12.25 | 483 x 311 | 7 |
| P19RP7UP | Steel | 19.00 x 12.25 | 483 x 311 | 7 |
| P19RP8UA | Aluminum | 19.00 x 14.00 | 483 x 356 | 8 |
| P19RP8UP | Steel | 19.00 x 14.00 | 483 x 356 | 8 |
| P19RP9UP | Steel | 19.00 x 15.75 | 483 x 400 | 9 |
| P19RP10UP | Steel | 19.00 x 17.50 | 483 x 445 | 10 |
| P19RP11UA | Aluminum | 19.00 x 19.25 | 483 x 489 | 11 |
| P19RP11UP | Steel | 19.00 x 19.25 | 483 x 489 | 11 |

| Catalog Number | Description | Size (in.) | Size (mm) |
|----------------|---|---------------|------------|
| A72SMP14G | 14.00 inch (356mm) Wide Panel, Conductive | 60.00 x 14.00 | 1524 x 356 |
| A72SMP20G | 20.00 inch (508mm) Wide Panel, Conductive | 60.00 x 20.00 | 1524 x 508 |

Purchase panels and accessories separately.

Clamping Nuts

| Catalog Number | Description | Package Qty |
|----------------|----------------------|-------------|
| APS1420CN | 1/4-20 Clamping Nut | 20 |
| APS1618CN | 5/16-18 Clamping Nut | 20 |

Purchase panels and accessories separately.

Casters

| Catalog Number | Description | Size (in.) | Size (mm) |
|----------------|---------------------|-------------|-----------|
| DMCKC | Set of four casters | 4.00 x 3.00 | 102 x 76 |

Requires Bottom Support

Purchase panels and accessories separately.

Inside Bottom Support

| Catalog Number | Description | Size (in.) | Size (mm) |
|----------------|--|---------------|-----------|
| A17SUPPORT1 | Enclosure bottom support allows installation of casters or floor-stand kits. | 23.70 x 23.25 | 602 x 591 |

Purchase panels and accessories separately.

| Catalog Number | Description | Size (in.) | Size (mm) | Units |
|----------------|-------------|---------------|-----------|-------|
| P19RP12UA | Aluminum | 19.00 x 21.00 | 483 x 533 | 12 |
| P19RP12UP | Steel | 19.00 x 21.00 | 483 x 533 | 12 |
| P19RP16UP | Steel | 19.00 x 28.00 | 483 x 711 | 16 |

Purchase panels and accessories separately.

1 unit = 1.75 in. (44 mm)

Screw Package

| Catalog Number | Description | Package Qty |
|----------------|--------------------------------|-------------|
| AS1032 | 10-32 Truss Head Nickel-Plated | 20 |

Purchase accessories separately.

Writing Surface for Drawers

| Catalog Number | Description | Size |
|----------------|----------------|---------------------------------|
| A19WSDR | Hinged Surface | Fits Drawer A19DR2U and A19DR4U |

Purchase accessories separately.

Shelves

| Catalog Number | Description | Units |
|----------------|-------------|-------|
| A19SH5 | Fixed Shelf | 1 |
| A19SH6 | Fixed Shelf | 1 |

Purchase accessories separately.

1 unit = 1.75 in. (44 mm)

Guides

| Catalog Number | Description | Unit |
|----------------|----------------------------|------|
| AG1U6 | Chassis Guide (set of two) | 1 |

Purchase accessories separately.

1 unit = 1.75 in. (44 mm)

Notes