

PROLINE CONTAINMENT SYSTEM



APPLICATION

The PROLINE Containment System prevents hot and cold airflows from mixing. The system increases cooling efficiency, lowers energy costs, allows for higher thermal density within the cabinet and is used in conjunction with additional cooling units. Use for either hot or cold air containment and on raised and non-raised floors. The PROLINE Containment System is used for various applications; whether it be maximizing efficiency or a cost-effective, quick install.

Customize your Containment System by purchasing the Aisle Doors, Ceiling Panels with Windows, Air Baffles, Chimney and Ceiling Panels for Chimney separately.

FEATURES

- Aisle doors either slide or swing bi-directionally to provide quick access to aisle way
- Easy to order
- Accommodates 36-in. (OSHA minimum aisle widths) and 48-in. (two-floor-tile-wide) aisle ways
- Ergonomically positioned grab handles on interior and exterior of contained aisle
- Clear, transparent door and roof panels provide maximum light to aisleway
- Tool-less Ceiling Panels are easy to install and remove for cleaning and provide above-the-cabinet access to cables, equipment and systems
- Sealed containment, Window Ceiling Panels have easily modified .22-in. polycarbonate panels to accommodate local fire-suppression codes (sprinkler heads)
- Sealed containment, Chimney Ceiling Panels are used with chimney to direct hot exhaust air into drop ceiling, duct work or other means back to the computer room cooling devices
- Sealed containment, Chimney comes in two heights to fit a wide range of applications
- Express containment system includes magnetic mounting for quick-install
- Express containment top baffles include both hot and cold aisle configurations
- Express containment models feature tool-less installation with exclusive Magswitch technology

SPECIFICATIONS

Aisle Doors

- Tool-less design allows for easy installation, removal, and re-installation
- Accommodates aisles up to 6-foot 6-inches (2 M) wide and any cabinet 76-inch (1930 mm) and taller
- Doors slide closed with gravity
- Available in black or white

Window Ceiling Panels

- Frame made of 16 gauge steel
- Overhead panel made of .22-in. polycarbonate

Chimney Ceiling Panels

- Frame made of 16 gauge steel
- Purchase Chimney separately

Chimney

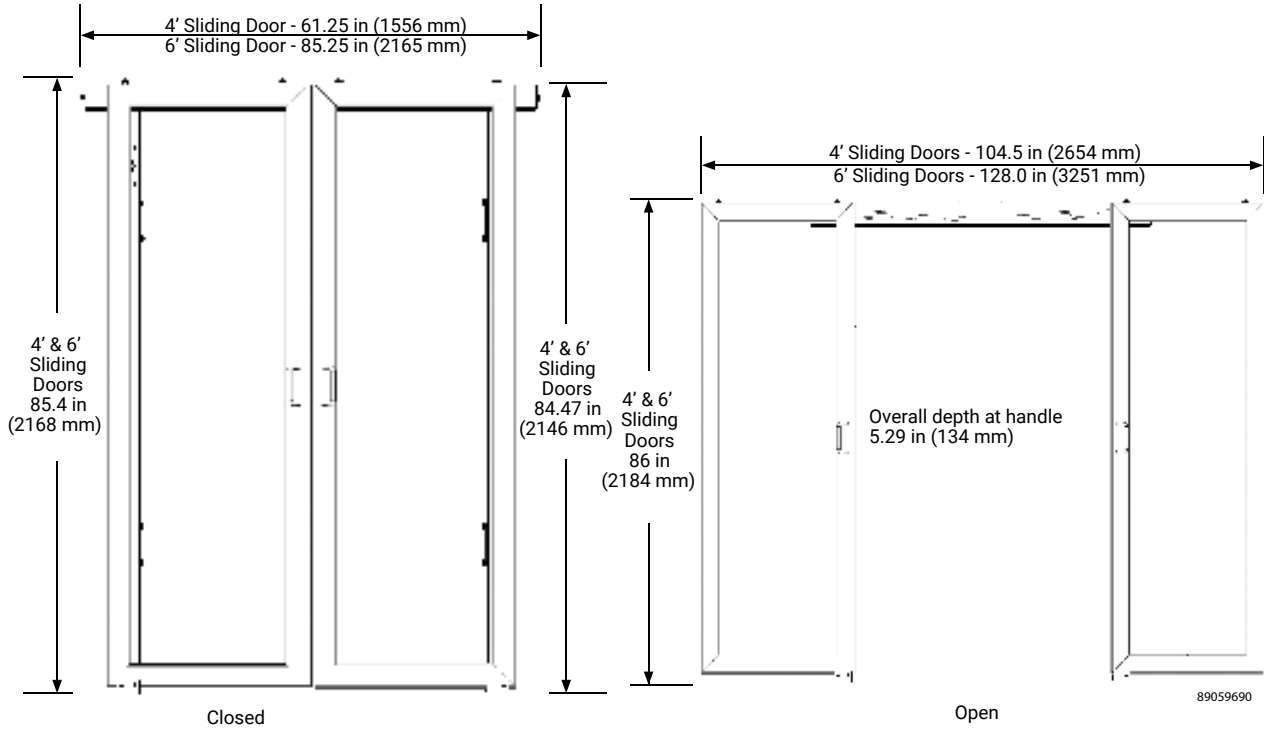
- Made of 18 gauge steel
- Two sizes to fit various ceiling heights
- Infinite adjustment between minimum and maximum extension
- Bulb gasket seals against flat surfaces and ceilings
- S-connectors provided for duct work connection
- Purchase Chimney Ceiling Panel separately

FINISH

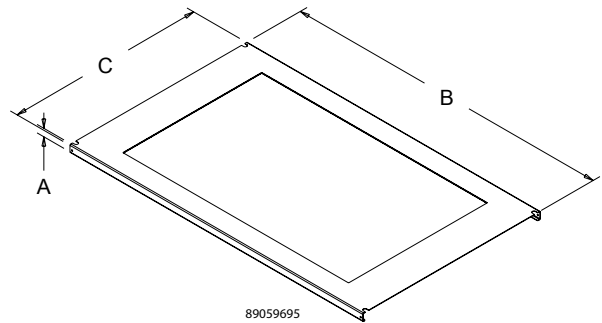
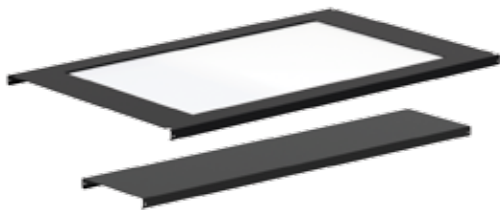
Prepared surface coated in polyester powder low-gloss, lightly textured RAL 9005 black

Standard Product **Aisle Doors**

| Catalog Number | Height in./mm | Width in./mm | Depth in./mm |
|----------------|------------------|-----------------|-----------------|
| UACSD4B | 88.00 2235 | 61.25 1556 | 12.50 318 |
| UACSD6B | 88.00 2235 | 85.25 2165 | 12.50 318 |



WINDOW CEILING PANEL

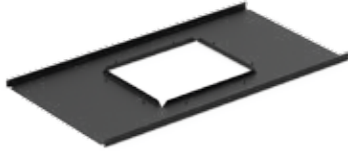


- Frame made of 16 gauge steel
- Overhead panel made of .22-in. polycarbonate

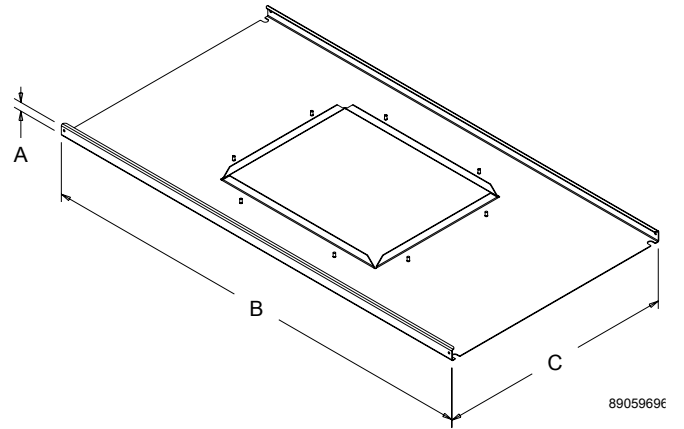
BULLETIN: DPY

| Catalog Number | AxBxC mm | AxBxC in. | Aisle Width (in.) | Aisle Width (mm) | Use With Cabinet Width |
|----------------|------------------|----------------------|-------------------|------------------|------------------------|
| PCP312 | 143 x 1309 x 297 | 5.63 x 51.52 x 11.69 | 48 | 1219 | 300 mm |
| PCP612 | 143 x 1309 x 597 | 5.63 x 51.52 x 23.50 | 48 | 1219 | 600 mm |
| PCP712 | 143 x 1309 x 697 | 5.63 x 51.52 x 27.44 | 48 | 1219 | 700 mm |
| PCP812 | 143 x 1309 x 797 | 5.63 x 51.52 x 31.38 | 48 | 1219 | 800 mm |

CHIMNEY CEILING PANEL



- Frame made of 16 gauge steel
- BULLETIN: DPY**



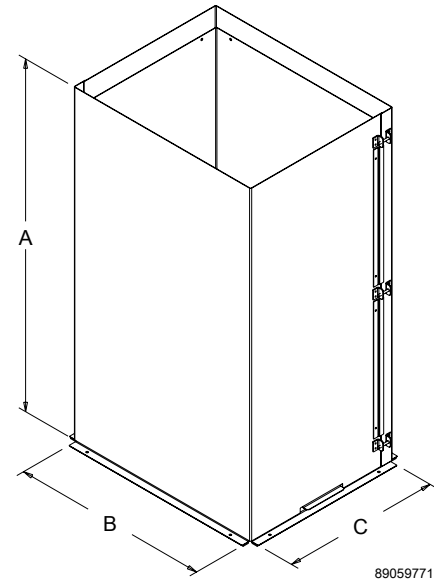
| Catalog Number | AxBxC mm/in. | Fits Aisle Width mm/in. | Use With Cabinet Width |
|----------------|----------------------|-------------------------|------------------------|
| PCPC612 | 143 x 1009 x 597 | 1219 | 600 mm |
| | 5.63 x 39.71 x 23.50 | 48 | |
| PCPC712 | 143 x 1009 x 697 | 1219 | 700 mm |
| | 5.63 x 39.71 x 27.44 | 48 | |
| PCPC812 | 143 x 1009 x 797 | 1219 | 800 mm |
| | 5.63 x 39.71 x 31.38 | 48 | |

CONTAINMENT SYSTEM CHIMNEY



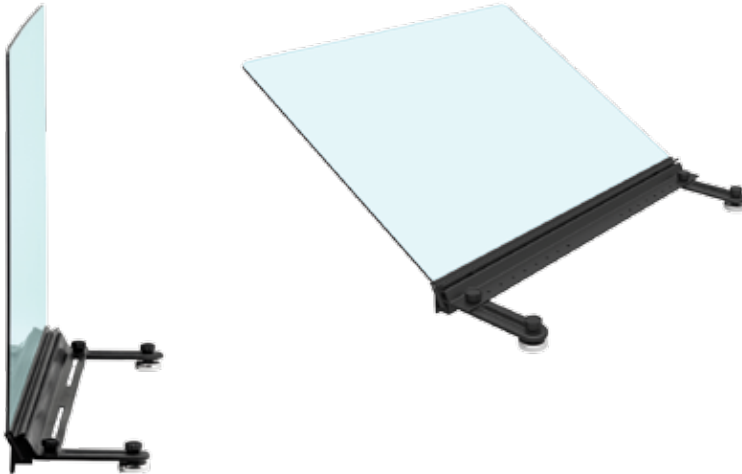
- Made of 18 gauge steel
- Two sizes to fit various ceiling heights
- Infinite adjustment between minimum and maximum extension
- Bulb gasket seals against flat surfaces and ceilings
- S-connectors provided for duct work connection
- Purchase Chimney Ceiling Panel separately

BULLETIN: DPY



| Catalog Number | AxBxC mm/in. | Ceiling Height mm/in. | Height min mm/in. | Height max mm/in. |
|----------------|-----------------------|-----------------------|-------------------|-------------------|
| PCM1 | 457 x 534 x 424 | 2600 to 3057 | 613 | 1067 |
| | 18.00 x 21.01 x 16.69 | 102.36 to 120.36 | 24.13 | 42.00 |
| PCM2 | 762 x 534 x 424 | 2905 to 3667 | 918 | 1676 |
| | 30.00 x 21.01 x 16.69 | 114.36 to 144.36 | 36.13 | 66.00 |

PROLINE EXPRESS RACK TOP BAFFLES



APPLICATION

The Rack Top Baffles are suitable for most standard width cabinets with solid, perforated or semi-solid steel tops. The baffles will not work with aluminum framed cabinets or open framed racks.

FEATURES

- The Rack Top Angle Baffles will overhang the aisle up to 15 inches (381 mm)
- The Rack Top Baffles require a minimum of 1 inch (25 mm) unobstructed depth across the entire front edge of the cabinet for secure attachment

- Additionally, the two attachment fixtures on each baffle require a 1.50 x 5.50 inch (38 x 140 mm) unobstructed area on the top of the cabinet.
- These attachment mounts allow a high degree of flexibility across the top of the cabinet to work around obstructions
- Prevents hot exhaust air from wrapping over the tops of racks
- Attaches to top of rack magnetically
- Angular baffle designed for cold aisle application
- Vertical baffle is designed for hot aisle application
- Reconfigurable design allows angular or vertical configuration

| Catalog Number | Description | Fits Cabinet | Height in./mm | Width in./mm | Depth in./mm | Material | Finish | Color | Color Code | Quantity |
|----------------|-----------------|-------------------------|---------------|--------------|--------------|-----------------------|---------------|-----------|------------|----------|
| UACTB6V | Vertical Baffle | 24-inch (600mm) Wide | 10.90 277 | 23.60 599 | 22.50 572 | Polycarbonate/PVC/ABS | Powder Coated | Jet Black | RAL 9005 | 2 |
| UACTB6A | Angled Baffle | 24-inch (600mm) Wide | 10.90 277 | 23.60 599 | 22.50 572 | Polycarbonate/PVC/ABS | Powder Coated | Jet Black | RAL 9005 | 2 |
| UACTB7V | Vertical Baffle | 27.50-inch (700mm) Wide | 10.90 277 | 27.45 697 | 22.50 572 | Polycarbonate/PVC/ABS | Powder Coated | Jet Black | RAL 9005 | 2 |
| UACTB7A | Angled Baffle | 27.50-inch (700mm) Wide | 10.90 277 | 27.45 697 | 22.50 572 | Polycarbonate/PVC/ABS | Powder Coated | Jet Black | RAL 9005 | 2 |
| UACTB75V | Vertical Baffle | 30-inch (750mm) Wide | 10.90 277 | 29.50 749 | 22.50 572 | Polycarbonate/PVC/ABS | Powder Coated | Jet Black | RAL 9005 | 2 |
| UACTB75A | Angled Baffle | 30-inch (750mm) Wide | 10.90 277 | 29.50 749 | 22.50 572 | Polycarbonate/PVC/ABS | Powder Coated | Jet Black | RAL 9005 | 2 |
| UACTB8V | Vertical Baffle | 31.50-inch (800mm) Wide | 10.90 277 | 31.25 794 | 22.50 572 | Polycarbonate/PVC/ABS | Powder Coated | Jet Black | RAL 9005 | 2 |
| UACTB8A | Angled Baffle | 31.50-inch (800mm) Wide | 10.90 277 | 31.25 794 | 22.50 572 | Polycarbonate/PVC/ABS | Powder Coated | Jet Black | RAL 9005 | 2 |

Custom sizes available

PROLINE SWITCHFIX



APPLICATION

The SwitchFix easily solves cooling problems associated with the network switches without the need for additional energy usage. It allows your switches to benefit from cooler airflow and comply with Hot Aisle/Cold Aisle best practices.

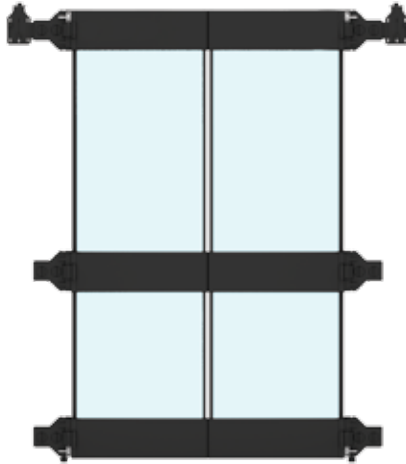
Network switch equipment typically sits at the top and back portion of the server rack. This placement makes it difficult for cold air from the cold aisle to travel from the front of the rack to the intake side(s) of the Network Switch. The SwitchFix solves this problem by extending from the front of the rack in the cold aisle to the switch at the back of the rack. This allows cold air from the cold aisle to reach the network equipment for proper cooling.

FEATURES

- Channels cold air to the switch
- Prevents hot air recirculation
- Maintains cold aisle/hot aisle segregation
- Adjustable for a variety of depths
- Passive airflow circulation

| Catalog Number | Description | Height (in.) | Height (mm) | Width (in.) | Width (mm) | Depth (in.) | Depth (mm) | Material | Finish | Color | Color Code |
|----------------|--------------------------------------|--------------|-------------|-------------|------------|--------------|------------|------------|---------------|-----------|------------|
| UACSFPC1U850 | Cool Channels 1U 8.50 inch (216 mm) | 1.74 | 44 | 19.00 | 483 | 5.75 - 8.50 | 146 - 216 | Mild Steel | Powder Coated | Jet Black | RAL 9005 |
| UACSFPC1U116 | Cool Channels 1U 11.63 inch (295 mm) | 1.74 | 44 | 19.00 | 483 | 7.73 - 11.63 | 196 - 295 | Mild Steel | Powder Coated | Jet Black | RAL 9005 |
| UACSFPC2U850 | Cool Channels 2U 8.50 inch (216 mm) | 3.50 | 89 | 19.00 | 483 | 4.15 - 5.75 | 105 - 146 | Mild Steel | Powder Coated | Jet Black | RAL 9005 |

PROLINE EXPRESS SEALED DOORS



APPLICATION

Designed for 48-inch (1200mm) wide aisles. Can also provide benefits for wider aisles. A 48-inch (1219 mm) wide version seals aisles from 46-inch (1168 mm) to 54-inch (1372 mm) and a 72-inch (1829 mm) wide version seals aisles from 70-inch (1778 mm) to 78-inch (1981 mm). Custom solutions can also provide benefits for wider aisles.

FEATURES

- Designed for 48-inch (1200 mm) wide aisles, but can also provide benefits for wider aisles
- The Bi-directional doors require a minimum 6-inch (152 mm) clearance from the front edge of the cabinet along its entire height for the hinges to attach
- Works with a variety of cabinets 76-inch (1930 mm) and taller
- Doors can be installed to hot or cold aisle
- Doors attached to side of rack magnetically
- Tool-less design allows for easy installation, removal, and re-installation
- Solution for both new builds and retrofit data centers

| Catalog Number | Description | Rack Units | Height in./mm | Width in./mm | Depth in./mm | Material | Finish | Color | Color Code |
|----------------|---------------------|------------|---------------|--------------|--------------|-------------------|---------------|-----------|------------|
| UAC2DDR42U | Bi-Directional Door | 42U | 78.00 1981 | 34.25 870 | 4.00 102 | Polycarbonate/ABS | Powder Coated | Jet Black | RAL 9005 |
| UAC2DDR45U | Bi-Directional Door | 45U | 83.25 2115 | 34.24 870 | 4.00 102 | Polycarbonate/ABS | Powder Coated | Jet Black | RAL 9005 |

Custom sizes are available

PROLINE EXPRESS TRANSOM WINDOW

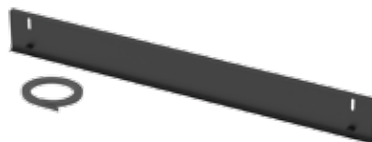


Transom Windows mount in the space above the sliding door.

| Catalog Number | Height in./mm | Width in./mm | Depth in./mm | Material | Finish | Color | Color Code |
|----------------|---------------|---------------|--------------|-------------------|---------------|-----------|------------|
| UACTW4B | 16.00 406 | 66.00 1676 | 2.00 51 | Polycarbonate/ABS | Powder Coated | Jet Black | RAL 9005 |
| UACTW6B | 16.00 406 | 99.00 2515 | 2.00 51 | Polycarbonate/ABS | Powder Coated | Jet Black | RAL 9005 |

Custom sizes are available

PROLINE EXPRESS TRANSOM BLANKING KIT



The ProLine Express Transom Blanking Kit blocks spaces atop an aisle containment door.

| Catalog Number | Height in./mm | Width in./mm | Depth in./mm | Material | Color | Color Code |
|----------------|---------------|--------------|--------------|------------|-----------|------------|
| PBK45U | 6.59 167 | 60 1524 | 1.78 45 | Mild Steel | Jet Black | RAL 9005 |

PROLINE EXPRESS ADJUSTABLE RACK GAP PANEL



APPLICATION

Blocks spaces between racks to contain cold air and prevent exhaust air recirculation.

FEATURES

- Attaches magnetically between two racks or other metal surface
- Adjusts to fill in space between racks, from 10- to 60-inch (250 mm to 1500 mm)
- Can easily be removed and reapplied as your computer room needs change

| Catalog Number | Rack Units | Height (in.) | Height (mm) | Width (in.) | Width (mm) | Depth (in.) | Depth (mm) | Material | Finish | Color | Color Code |
|----------------|------------|--------------|-------------|---------------|------------|-------------|------------|------------|---------------|-----------|------------|
| UACSARGP | 42U-45U | 85.25 | 2165 | 10.00 - 60.00 | 254 - 1524 | 4.00 | 102 | Mild Steel | Powder Coated | Jet Black | RAL 9005 |
| UACLARGP | 48U-50U | 93.75 | 2381 | 10.00 - 60.00 | 254 - 1524 | 4.00 | 102 | Mild Steel | Powder Coated | Jet Black | RAL 9005 |

PROLINE EXPRESS ADJUSTABLE MOUNTING POST



APPLICATION

Serves as vertical support structure for the attachment of containment doors and rack gap panels.

FEATURES

- Mounts to floor tiles with framing channels and lock nuts for secure installation (can also be installed on a slab floor)
- Enables the use of containment doors and/or rack gap panels in uneven rows
- Can be adjusted to different height positions (42U-50U)

| Catalog Number | Rack Units | Height in./mm | Width in./mm | Depth in./mm | Material | Finish | Color | Color Code |
|----------------|------------|------------------------------|--------------|--------------|------------|---------------|----------|------------|
| UACAMP | 42U-50U | 78.75 - 84.00 2000 - 2134 | 12.00 305 | 10.00 254 | Mild Steel | Powder Coated | Je Black | RAL 9005 |

ACRYCELL SEALING TAPE



APPLICATION

Acrycell Sealing Tape is the premium choice for sealing tape and openings in the data center including room perimeter, floor openings, under cabinet, between racks, and around CRAC units. It has a revolutionary sealing technology which significantly reduce costly bypass airflow, increasing usable cooling unit capacity, and ensuring maximized efficiency from HVAC equipment.

FEATURES

- Time release expansion that ensures a tight seal around cables and other impediments
- Moldable physical quality that forms a tight seal on uneven surfaces and gaps
- Customizable tape unrolls creating one continuous and uniform top-to-bottom sealing
- Peel-and-stick installation saves labor, time and money
- Compressed tape eliminates pinching, stuffing or otherwise manipulating to install
- Confirmed "Data Center Safe" by a third party laboratory aging test
- The non-particulating, time release Acrycell sealing technology is designed to seal gaps against racks, cabinets or other enclosures in mission-critical data center environments
- Confidently and cost effectively seals gaps against errant airflow ranging from 0.2 to 2 inches (5 to 50 mm) in width, between racks, cabinets or other data center equipment

SPECIFICATIONS

- Durable Acrycell Sealing Tape is temperature resistant from -40 to 212 F (-40 to 100 C)
- Fire resistant to DIN 4102 Class B1

| Catalog Number | Thickness (in.) | Thickness (mm) | Length (ft.) | Length (M) | Material | Color |
|----------------|-----------------|----------------|--------------|------------|----------|-------|
| UACAST05IN | 0.50 | 1.3 | 32.80 | 10 | Foam | Black |
| UACAST1IN | 1.00 | 25 | 18.40 | 5.6 | Foam | Black |
| UACAST2IN | 2.00 | 51 | 8.50 | 2.59 | Foam | Black |