

# ADJUSTABLE MOUNTING POST

# INSTALL GUIDE

Part Number UACAMP

## EACH CARTON CONTAINS

- A. Bottom Post Assembly
- B. Top Post Assembly
- C. Flange Head Bolts (x2)
- D. Floor Mounting Kit
  - 1. 1 5/8"Wx13/16"Hx30"L framing channels (x2)
  - 2. 3/8" - 16x4" carriage bolts (x4)
  - 3. 3/8" flat washers (x4)
  - 4. 3/8" - 16 lock nuts (x4)
- E. Hinge Back Plate Replacement Kit (for use with Bi-Directional Doors only)
  - 1. Short Hinge Back Plate
  - 2. #10 Torx Bit


## TOOLS REQUIRED

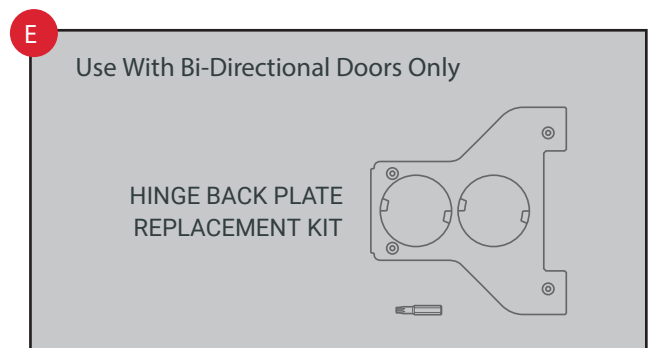
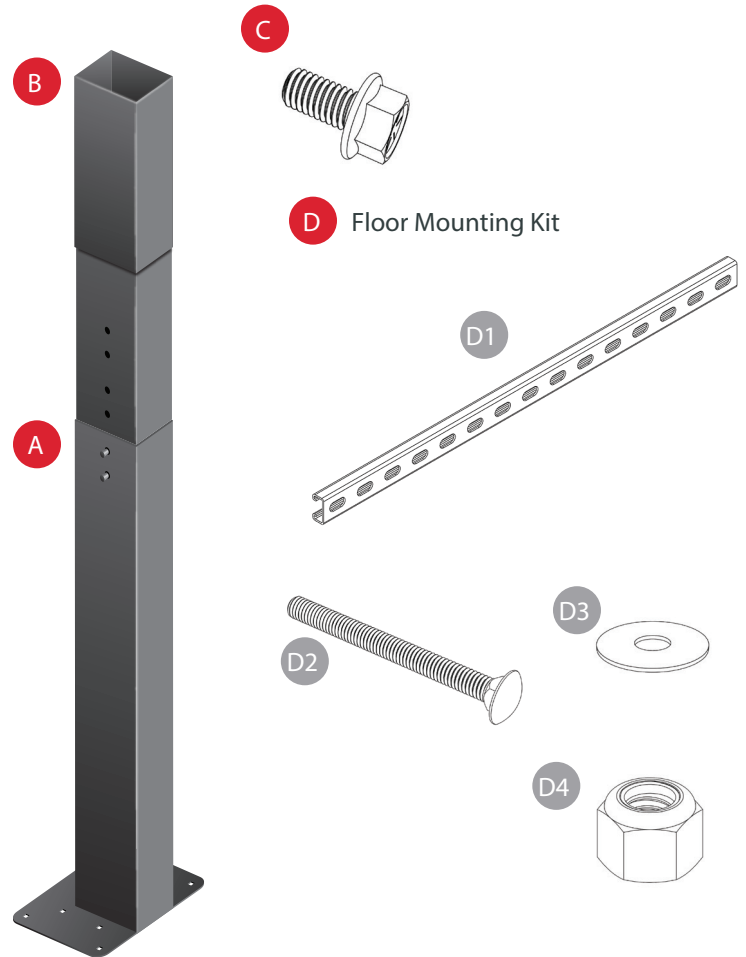
- Pencil or other marking device
- Hand held drill
- 1/2" Drill bit
- 9/16" Wrench or ratchet with socket
- Tape measure

## HANDLE MOUNTING POST WITH CARE

nVent's Adjustable Mounting Post is designed for indoor use only. We construct the post assemblies from 16 gauge sheet steel and the base plate (which mounts to the raised floor surface) from 11 gauge sheet steel. The post assemblies have a black powder coated finish; therefore when cleaning the product, it's recommended to use a damp cloth.

## SAFETY REQUIREMENTS

-  Use caution when unpacking the Adjustable Mounting Post, the robust design of this product makes some of the parts heavy. The Adjustable Mounting Post is designed to attach to the raised floor surface using the supplied hardware. Modifications to the raised floor tile are required to connect the bottom base section. Use caution when determining the placement of the bottom base and when drilling the necessary holes in the raised floor.



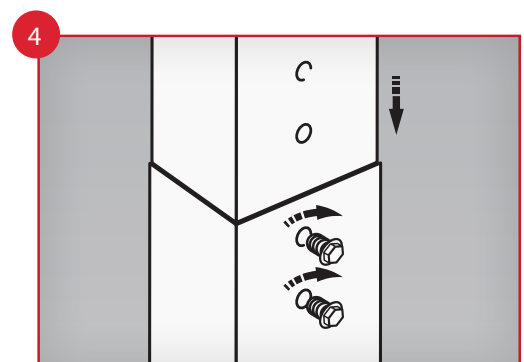
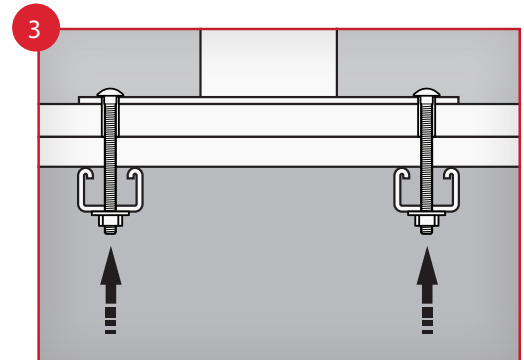
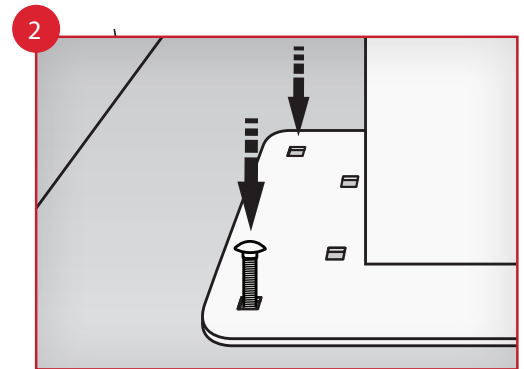
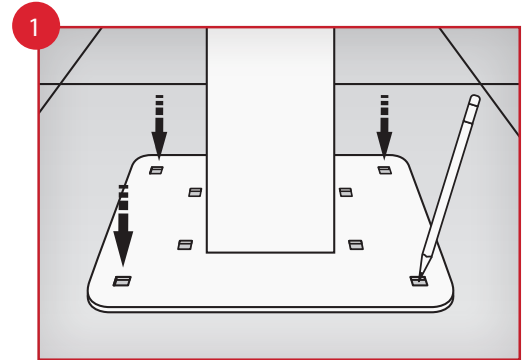
**USE CONSIDERATION:** The Adjustable Mounting Post, part of nVent's aisle containment line of products, is designed to be installed at the end of aisles with odd rows of cabinets. Or in a location where the Sliding Doors, Bi-Directional Doors, or Adjustable Rack Gap Panel would not normally be installed due to the lack of available sheet metal surface space or obstructions.

When using the Adjustable Mounting Post with the Bi-Directional Doors the wide side of the post must be parallel with the plane of the Bi-Directional Doors. An Adjustable Rack Gap Panel or Sliding Door can be mounted to either the wide or narrow side of the post.

**PREPARATION:** Determine where the base plate will attach to the raised floor. Before drilling mounting holes in the raised floor tile(s), make sure the placement of the metal framing channel under the floor does not conflict with the stringer placement or any other underfloor obstructions. Align the side of the bottom plate that does not protrude past the vertical face of the post with a tile edge (or up against another surface, i.e., a wall), so the adjacent tile is not captured by the base plate.

## Installing the Adjustable Mounting Post

1. Use a pencil or marker to mark the inner or outer set of mounting holes in the base plate. The two sets of holes are provided to avoid interference with stringers. Use the holes which best accommodate your situation. Use a 1/2" drill bit to drill the (4) marked holes in the raised floor tile for the (4) carriage bolts.
1. After drilling the (4) holes, place the bottom post assembly over the drilled holes and put the (4) carriage bolts through the base plate and the raised floor tile.
2. Underneath the raised floor tile use the (2) provided framing channel, (4) flat washers and (4) lock nuts to securely attach the base plate to the raised floor. Place the lengths of the metal framing channel, so they capture two separate sections of the raised floor stringers (This creates the highest stability of the post.) Once the bottom assembly has been securely attached to the raised floor tile, you can then proceed with installing the top post assembly.
3. The top post assembly has (4) height positions for approximately matching the height of 42U, 45U, 48U, and 50U cabinets. Place the top assembly section inside the bottom assembly and slide it down until the mounting holes align at the desired height. Insert the provided flange head bolts through the holes in the bottom assembly and thread them into the nuts welded in the upper assembly.

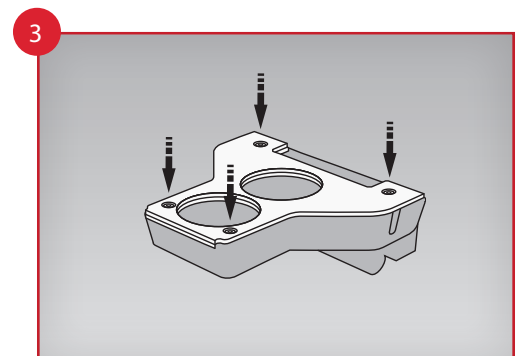
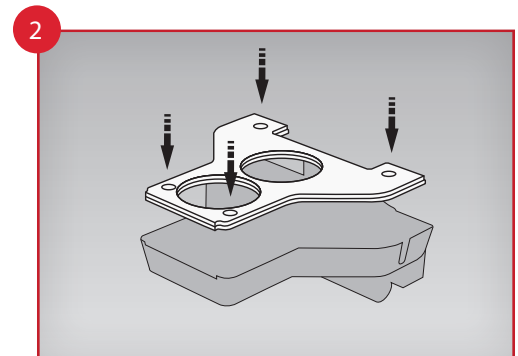
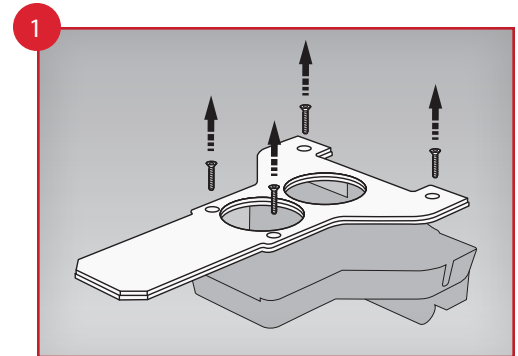


**REPLACING OF HINGE BACK PLATE:** The top hinge on the Bi-Directional Doors by design includes a Long Hinge Back Plate which attaches to the hanger bracket mounted to the top of a cabinet. When installing the Bi-Directional Doors to the Adjustable Mounting Post, this bracket will extend past the Adjustable Mounting Post. To prevent the extension from being an obstruction, replace the standard Long Hinge Backplate with the supplied Short Hinge Backplate.

**NOTE:** THIS PROCEDURE IS FOR REPLACING THE HINGE BACK PLATE ON THE BI-DIRECTIONAL DOORS WHEN USED WITH THE ADJUSTABLE MOUNTING POST.

## Installing the Replacement Hinge Back Plate

1. Use the included #10 Torx bit to remove the (4) screws securing the Long Hinge Back Plate of the top hinge. Remove the Long Hinge Back Plate.
2. Replace the Long Hinge Back Plate with the new Short Hinge Back Plate.
3. Secure the new Short Hinge Back Plate with the original screws.



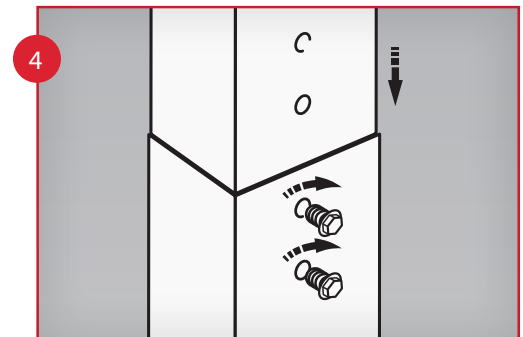
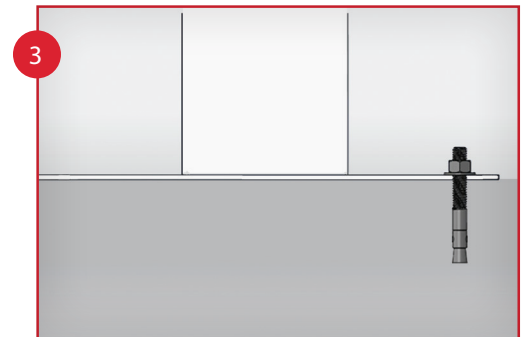
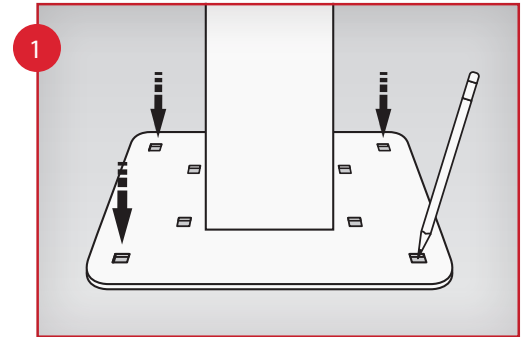
**PREPARATION:** Determine where the base plate will attach to the concrete floor. Align the side of the bottom plate that does not protrude past the vertical face of the post with a tile edge (or up against another surface, i.e., a wall), so the adjacent tile is not captured by the base plate. Be sure to use a vacuum to control dust and debris. Avoid using zinc coated hardware.

## TOOLS & HARDWARE REQUIRED

- Pencil or other marking device
- Hand held, hammer drill
- Hammer
- 3/8" Concrete Drill bit
- Crescent Wrench or ratchet with socket
- 3/8" x 3" Stainless Steel Concrete Wedge Anchors
- Tape measure

## Installing On Concrete Slab

1. Use a pencil or marker to mark the inner or outer set of mounting holes in the base plate. Use a Hammer drill with a 3/8" drill bit to drill the (4) marked holes in the concrete floor to a depth of 2.3" (recommended).
2. Ensure the nut and washer is at the end of the threaded anchor wedge to avoid damage to the threads on installation. With the post in place, put the anchor wedges through the base plate and into the concrete hole(s). Gently hammer the anchor wedge assembly into the hole until it reaches the bottom.
3. Tighten the nut until it is securely fastened and ensure the post is secure. Once the bottom assembly has been securely attached to the concrete floor, you can then proceed with installing the top post assembly.
4. The top post assembly has (4) height positions for approximately matching the height of 42U, 45U, 48U, and 50U cabinets. Place the top assembly section inside the bottom assembly and slide it down until the mounting holes align at the desired height. Insert the provided flange head bolts through the holes in the bottom assembly and thread them into the nuts welded in the upper assembly.



# LIMITED WARRANTY

nVent (the Company) warrants to the original purchaser that products delivered hereunder will be free of defects in materials and workmanship for a period of twelve (12) months from the date of purchase (the "Warranty Period").

The Company shall, at its option, within the Warranty Period, either repair or replace free of charge, any product or part thereof found, upon the Company's inspection, to be defective in materials and workmanship, and will return the repaired or replaced product to the purchaser at Company's expense.

For warranty service and shipping instructions, contact the Company at the telephone number shown below. If the product is under warranty and the defect appears to be covered by this Limited Warranty, the Company will issue to the purchaser a Notice of Authorization For Warranty Return. Products returned to the Company for warranty service must be accompanied by a statement of defect, the Notice of Authorization for Warranty Return provided by the Company, and proof of purchase.

This Limited Warranty is conditioned on the following:

The Company must be notified within 12 months of purchase and have been given the opportunity of inspection by return of any alleged defective product free and clear of all liens and encumbrances to the Company or its manufacturer; and  
The product must not have been abused, misused, or improperly maintained, and/or non-Upsite authorized repair performed during such period; and

Such defect has not been caused by corrosion or exposure to other than ordinary wear and tear; and

The installation and use of the product has been in accordance with the manufacturer's instructions and not been modified or customized to include but not limited to cut, resized, burned, glued, bent, re-shaped, disassembled, attachments added to, improperly installed or used in a manner other than intended.

The company makes no other express or implied warranty or representation of any kind whatsoever including any warranty of merchantability or fitness for a particular purpose and all such other warranties are hereby included.

The Company's maximum liability hereunder is limited to the purchase price of the product. In no event shall the Company be liable for any consequential, indirect, incidental, or special damages of any nature arising from the sale or use of the product, whether based in contract, tort, strict liability, or otherwise.

Note: Some jurisdictions do not allow limitations on incidental or consequential damages or how long an implied warranty lasts, so that the above limitations may not fully apply. This warranty gives specific legal rights and you may also have other rights which may vary from jurisdiction to jurisdiction.

For complete warranty and repair information Call 763-422-2661 or visit [nvent.com/dns](http://nvent.com/dns)

