



CONNECT AND PROTECT

Accessories


nvent

SCHROFF

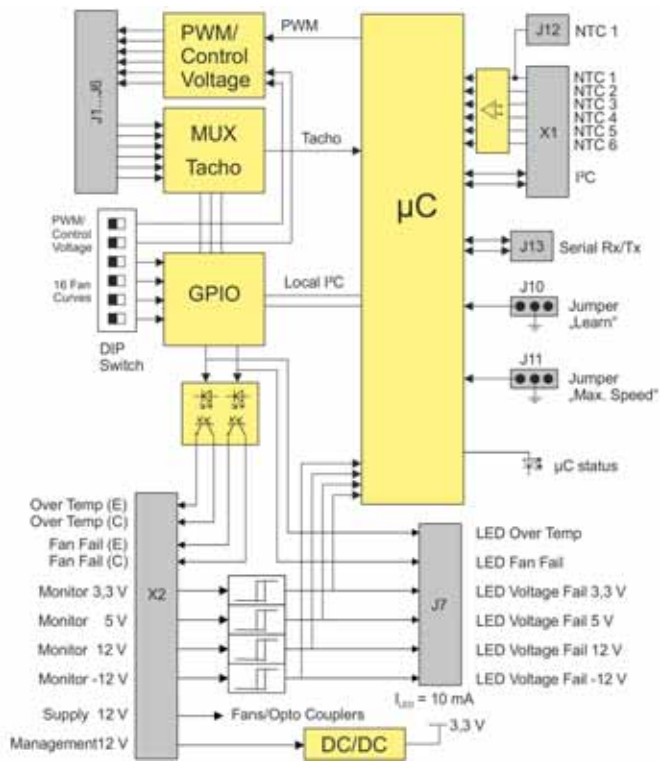
Systems – Accessories

FAN CONTROL MODULE (FCM2)



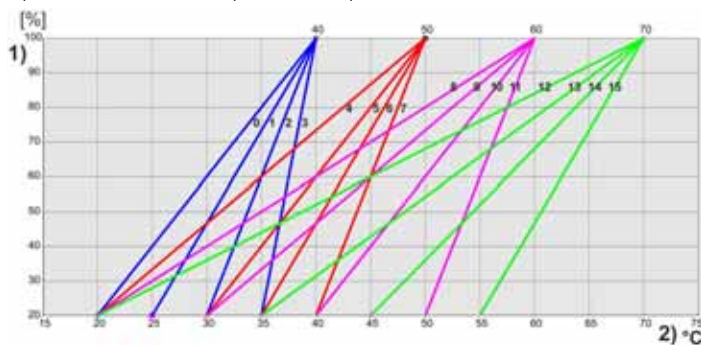
FCM with straight connector FCM with angled connector

Block diagram inputs and outputs



09802052

Speed characteristics inputs and outputs



09802053

- 1) Pulse-width modulation;
 - 2) temperature;
- 0 ... 15 Setting with 4 bit DIP switches

- The fan control module (FCM2) is a standalone fan controller for 12 V fans
- Up to 6 fans can be monitored and controlled
- Signal monitoring of up to 6 temperature sensors
- Monitoring of 3.3 V, 5 V, 12 V and -12 V voltages
- FCM2 supply voltage: 12 V
- Can control status LEDs for Over Temp, Fan Fail, 3.3 V, 5 V, 12 V and -12 V
- In case of overheating or the failure of a fan, the other fans can be set to full speed
- Status information can be queried via a I²C interface
- Suitable for a 4 wire fan with PWM or control voltage input
- With straight or angled connector plug

DELIVERY INCLUDES

Item	Qty.	Description
1	1	Fan control module (FCM2), width 40 mm, depth 119 mm, height 15 mm

ORDER INFORMATION

Description	Height mm	Width mm	Depth mm	Part no.
Connector plug, straight	15	40	119	23207-160
Connector plug, angled (90°), for mounting on pull-out Schroff fan unit	15	40	119	23207-162

Accessories

Temperature sensor for FCM2 Cable length 400 mm, with insulation displacement connector suitable for J12 on FCM2, 1 piece	23204-882
---	------------------

Systems – Accessories

CHASSIS MONITORING MODULE (CMM)



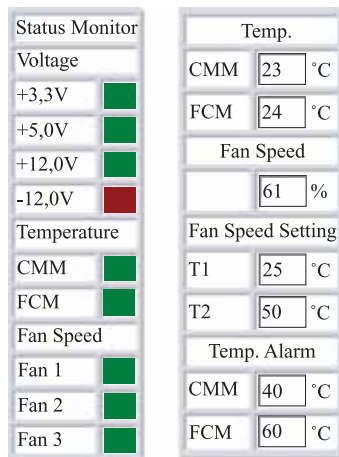
- Monitoring of voltages, temperatures and digital inputs
- Communication and remote control via RS 232 or Ethernet interface (10BaseT)
- Inputs and outputs for VME specific and CPCI specific signals, further digital and LED outputs
- Data bus for communication with the Schroff Fan Control Module (FCM)
- Pluggable in 3 U euroboard format

DELIVERY COMPRISES

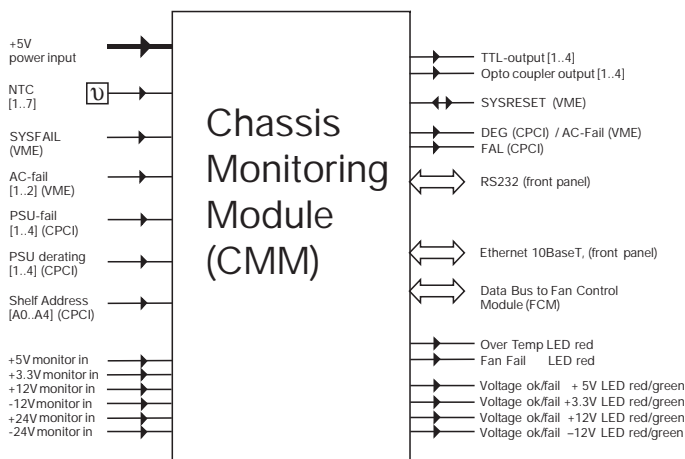
Item	Qty	Description
1	1	Chassis monitoring module (CMM), height 3 U, depth 160 mm, width 4 HP, front panel fitted

ORDER INFORMATION

Description	Height U	Depth mm	Part no.
Chassis monitoring module (CMM)	3	160	23207-022



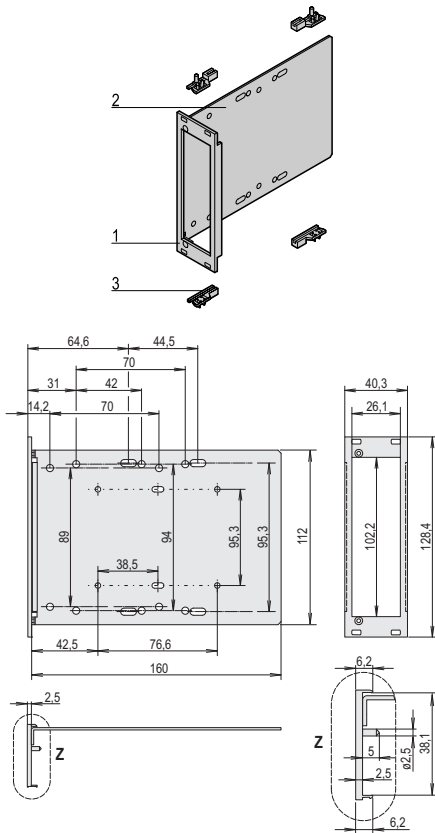
Status display via web browser



Block diagram inputs and outputs

Systems – Accessories

MODULE TO MOUNT DRIVE UNIT, WITH FRONT PANEL, U PROFILE, SHIELDED 1 × 3 1/2", 3 U VERTICAL



04902051

DELIVERY COMPRISES (kit)

Item	Qty	Description
1	1	U profile front panel with drive unit cut-out, Al, 2.5 mm, front anodised, rear colourless chromated, 2 alignment pins, stainless steel, pressed-in
2	1	Side panel, plug-in version, Al, 1.5 mm, chromated
3	4	Guide rail, PBT UL 94 V-0, red
4	1	Assembly kit

ORDER INFORMATION

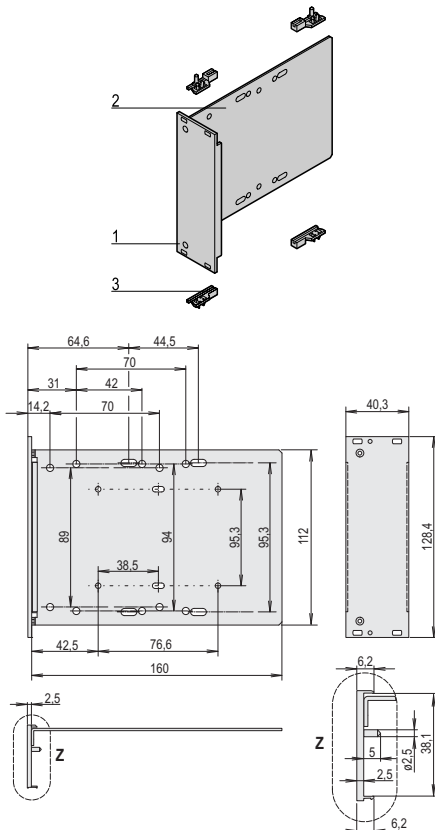
Front panel dimensions	Part no.
Height	Width
U	HP
3	8
24579-042	

NOTE

- Suitable for europacPRO, ratiopacPRO, CompactPCI, VMEbus and VME64xbus only
- Covers for drive unit cut-outs see page 8.110

KAA44883

MODULE TO MOUNT DRIVE UNIT, WITH FRONT PANEL, U PROFILE, SHIELDED HD 1 × 3 1/2", 3 U VERTICAL



04902052

DELIVERY COMPRISES (kit)

Item	Qty	Description
1	1	U profile front panel, Al, 2.5 mm, front anodised, rear iridescent green chromated; 2 alignment pins, stainless steel, pressed-in
2	1	Side panel, plug-in version, Al, 1.5 mm, chromated
3	4	Guide rail, PBT UL 94 V-0, red
4	1	Assembly kit

ORDER INFORMATION

Front panel dimensions	Part no.
Height H	Width B
U	HP
3	8
24579-043	

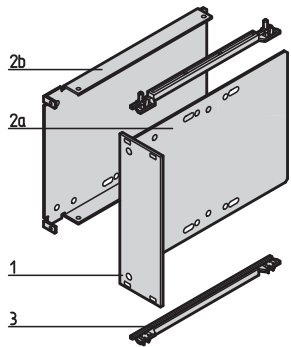
NOTE

- Suitable for europacPRO, ratiopacPRO, CompactPCI, VMEbus and VME64xbus only
- Covers for drive unit cut-outs see page 8.110

KAA44897

Systems – Accessories

MODULE TO MOUNT DRIVE UNIT HD 1 X 3 1/2", 3 U VERTICAL



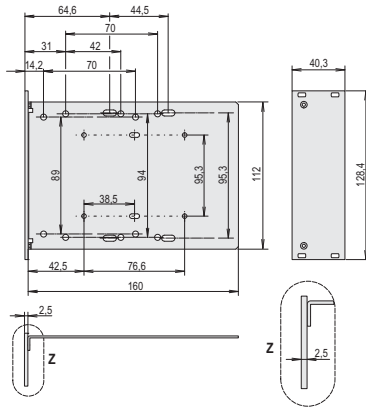
DELIVERY COMPRISES (kit)

Item	Qty	Description
1	1	Front panel, Al, 2.5 mm, front anodised, rear iridescent green chromated
2a	2	Side panel, plug-in version, Al, 1.5 mm, passivated
2b	2	Side panel, screw-fixed version, Al, 2.0 mm, passivated
3	2	Guide rail, PPE, UL 94 V-0, black; only for plug-in version
4	1	Assembly kit

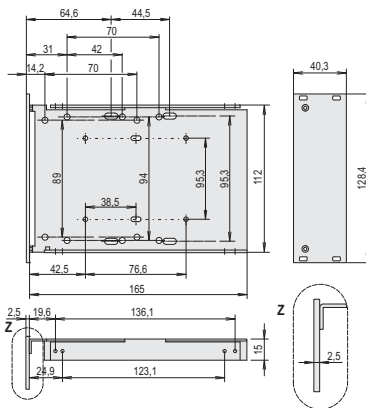
ORDER INFORMATION

Front panel dimensions		Plug-in version	Screw-fixed version
Height	Width	Part no.	Part no.
U	HP		
3	8	20810-611	20810-605

- Please order assembly parts for drive units and guide rails for europacPRO and ratiopacPRO separately, see chapter Subracks - europacPRO
- Covers for drive unit cut-outs see page 8.110


KAA44896

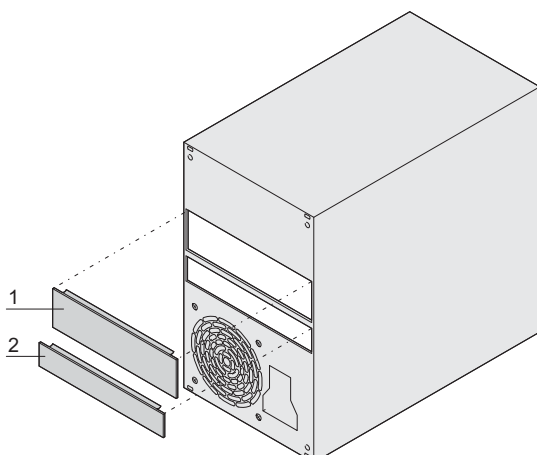
Plug-in version


04909050

Screw-fixed version

04909051

COVERS FOR DRIVE UNIT CUT-OUTS



- Front panel is clipped into drive unit cut-out with clamping device

DELIVERY COMPRISES (assembled)

Item	Qty	Description
1	1	Front panel, Al, 2 mm, anodised
2	1	Clamping device to clip-on, stainless steel

ORDER INFORMATION

Item	Description	Part no.
1	Cover for 5.25" (CD/DVD)	24496-120
2	Cover for Slim Line drive (CD/DVD)	24496-122

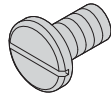
NOTE

- Covers for 3.5" drive units available on request

12106050

Systems – Accessories

SCREWS FOR DRIVE UNITS

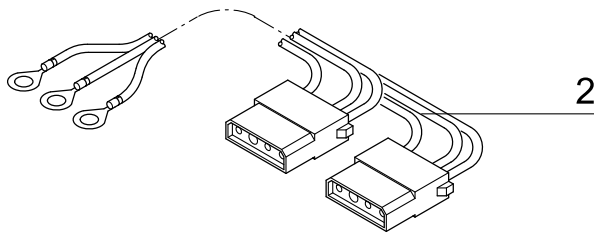


06706053

ORDER INFORMATION

Description	Qty/PU	Part no.
Slotted flathead screws, M 3 x 6	100	21100-711
Pozidrive flathead screws, M 4 x 6	100	21100-574
Slotted flathead screw, 6-32 UNC x 6	100	21100-712

CABLE FOR DRIVE UNIT



2

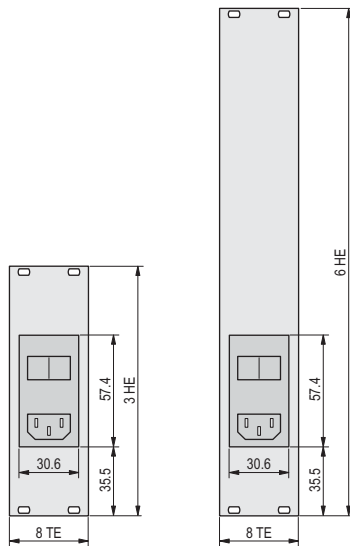
- The cable connects commercially available drive units with the power supply

ORDER INFORMATION

Item	Description	Qty/PU	Part no.
2	Drive unit cable for 2 x 5 1/4", ring tag Ø M4, length 560 mm, connector AMP/Tyco 1-171822-4	1	20835-188

09802054

AC INPUT MODULE WITH FILTER



- Front panel (U front panel) for shielding with EMC textile gasket
- Voltage 110 V_{AC} ... 250 V_{AC}, 50 Hz ... 60 Hz
- Max. current 10 A at 40°C

DELIVERY COMPRISES

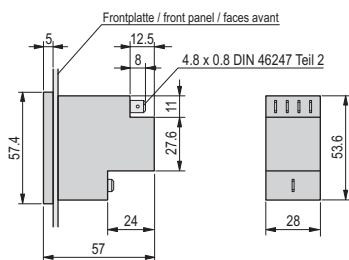
Item	Qty	Description
1	1	U front panel, 2.5 mm, front anodised, rear colourless chromated

ORDER INFORMATION

Height H	Width B	Part no.
U	HP	
3	8	24579-058
6	8	24579-059
Textile EMC seals 3 U, PU 10 pieces		21101-853
Textile EMC seals 3 U, PU 100 pieces		21101-854
Textile EMC seals 6 U, PU 10 pieces		21101-855
Textile EMC seals 6 U, PU 100 pieces		21101-856

NOTE

- EMC profile seals are required to shield the front panels



12303050

North America

Warwick, RI, USA

Tel +1.800.525.4682

San Diego, CA, USA

Tel +1.800.854.7086

Europe, Middle East & India

Straubenhardt, Germany

Tel +49 7082 794 0

Betschdorf, France

Tel +33 3 88 90 64 90

Warsaw, Poland

Tel +48 22 209 98 35

Hemel Hempstead,

Great Britain

Tel +44 1442 24 04 71

Lainate, Italy

Tel +39 02 932 714 1

Dubai, United Arab Emirates

Tel +971 4 37 81 700

Bangalore, India

Tel +91 80 67152000

Istanbul, Turkey

Tel +90 216 250 7374

Asia Pacific

Shanghai, China

Tel +86 21 2412 6943

Singapore

Tel +65 6768 5800

Shin-Yokohama, Japan

Tel +81 45 476 0271

Our powerful portfolio of brands:

CADDY ERICO HOFFMAN RAYCHEM SCHROFF TRACER



[nVent.com/SCHROFF](https://www.nVent.com/SCHROFF)