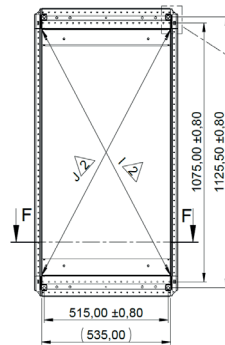
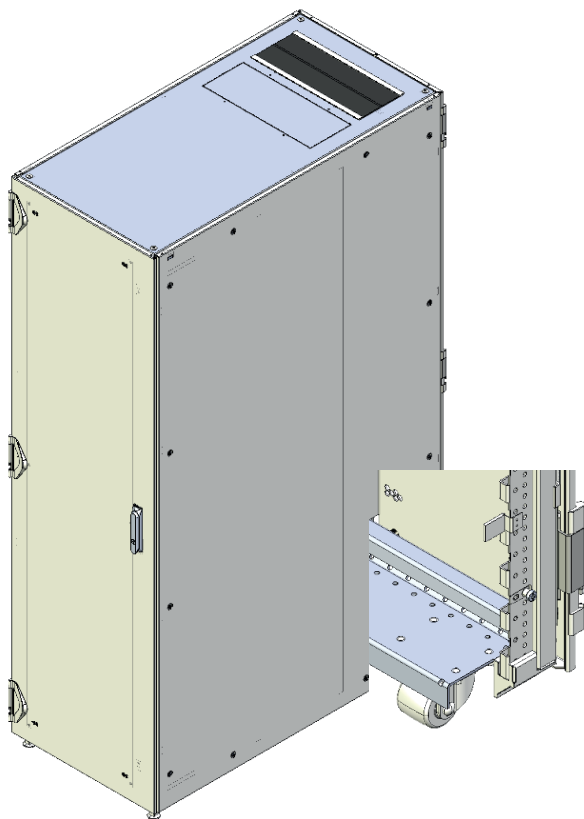
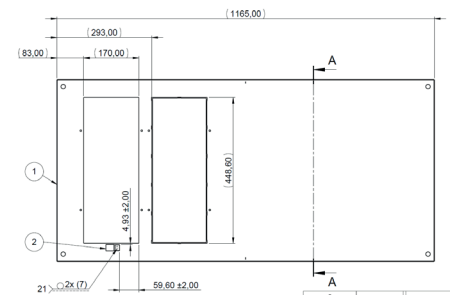


Varistar CP Server Rack With Integrated Castors

10630-021



Position adjustable feet



Cable entry top cover

TECHNICAL DATA

Depth: 1,200 mm
Height: 2,000 mm/42U
Width: 600 mm
Version: With integrated castors

Delivery comprises:

Item	Quantity	Description
1	1	Welded basic frame (CP) sheet metal profile with all-round meandering in 25 mm grid increments for M6 taptite screws and/or M5 cage nuts has a static load-carrying capacity of max. 1,600 kg and 1,000 kg dynamic, with integrated castors, RAL 7021
2	1	Top cover, RAL 7021 in steel plate 1.5 mm with cut-out for cable entry
3	1	Brush strip set fitted in cut-out zone rear
4	1	Front door, perforated, steel, with 180° hinges, 3-point locking and lever handle, 1333 locking cylinder, color RAL 7021
5	1	Rear double door, steel, with 180° hinges and perforation, 3-point locking and lever handle 1333 locking cylinder, color RAL 7021
6	2	Side panels screwed, 1 mm steel
7	4	19" panel/slide mounts, steel, mounted in 740 mm intervals, with U marking, color RAL 7021, panel/slide mounts can be recessed in 25 mm steps
8	2	Gasket material for sealing front side
9	4	Adjustable foot
10	1	Panel bottom to seal the gap front side under the cabinet for containment integration
11	1	Earthing kit, assembled