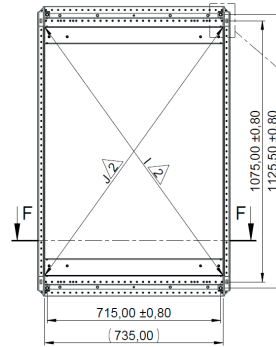
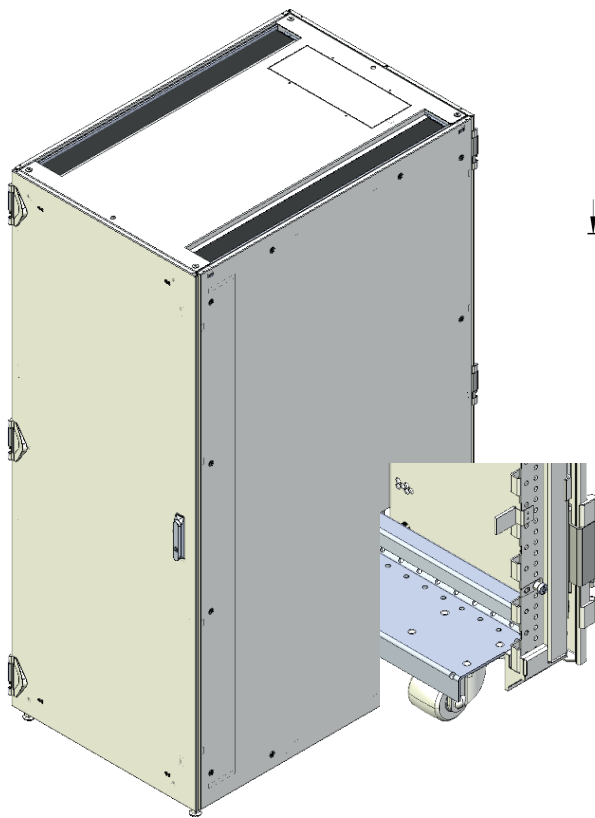
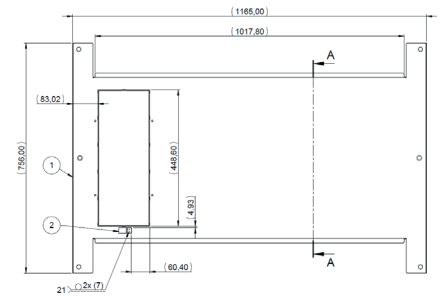


# Varistar CP Server Rack With Integrated Castors

10630-022



Position adjustable feet



Cable entry top cover

## TECHNICAL DATA

Depth: 1,200 mm

Height: 2,000 mm/42U

Width: 800 mm

Version: With integrated castors

## Delivery comprises:

Item	Quantity	Description
1	1	Welded basic frame (CP) sheet metal profile with all-round meandering in 25 mm grid increments for M6 taptite screws and/or M5 cage nuts has a static load carrying capacity of max. 1,600 kg and 1,000 kg dynamic with integrated castors, RAL 7021
2	1	Top cover, RAL 7021 in steel plate 1.5 mm with cut-out for cable entry
3	1	Brush strip set fitted in cut-out zone rear
4	1	Front door, perforated, steel, with 180° hinges, 3-point locking and lever handle, 1333 locking cylinder, color RAL 7021
5	1	Rear double door, steel, with 180° hinges and perforation, 3-point locking and lever handle 1333 locking cylinder, color RAL 7021
6	2	Side panels screwed, 1 mm steel
7	4	19" panel/slide mounts, steel, mounted in 740 mm intervals, with U marking, color RAL 7021, panel/slide mounts can be recessed in 25 mm steps
8	4	Cross member, 2.5 mm steel (to accept 19" panel/slide mounts in 800 mm wide cabinets)
9	2	Air blanking panels with cut-outs and brushes (2U – 19"), 1.5 mm steel, gasket material
10	4	Adjustable foot
11	1	Panel bottom to seal the gap front side under the cabinet for containment integration
12	1	Earthing kit, assembled