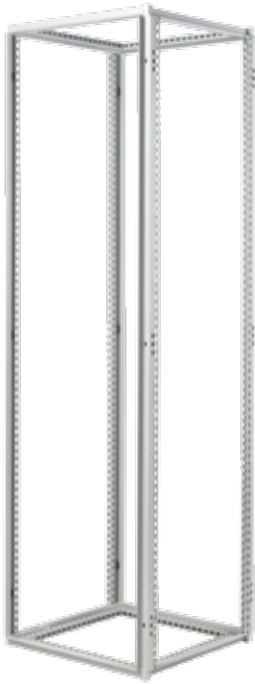


FRAMES

APPLICATION

The ProLine G2 frame is the foundational design element that protects the components inside this modular enclosure. The frame was designed to withstand heavier load requirements and to maintain a solid square structure - a solid foundation for the electrical enclosure.

FEATURES

- Superior performance under load: 12 gauge (2.5 mm) roll-formed steel frame with welded corners, hybrid frame profile
- Wide range of standard options: 114 frame sizes; EMC protected and disconnect options, custom sizes on request
- Easy to assemble and use: 25 mm hole pattern on horizontal and vertical frame members, wide door opening, removable rear centerpost for frames greater than 1200 mm wide

SPECIFICATIONS

- Welded corners with steel corner blocks
- 12 gauge (2.5 mm), roll-formed steel frame sections
- Hybrid frame profile
- Flange trough collar on door and side openings deflect dust and debris away from the enclosure interior
- Integral frame channels support the full weight of the mounting subpanel
- Frames greater than 1200 mm wide have a removable rear centerpost, and cross-members in the center top and center bottom; no front center post facilitates component installation
- Accommodates 25-mm DIN standard; rectangular frame holes designed for BV-M6 fastener or metric cage nut fasteners; round frame holes accommodate M5 self-tapping screws and allow numerous grounding locations using M5 thread-forming screws
- Uniform internal frame width to simplify component installation; universal frame member used for both horizontal and vertical frame sections to simplify component installation
- Simple means for joining frames to create multiple-bay enclosures
- Provisions for mounting subpanel, rack mounting and grid/rail system mounting
- Longer lead times required for EMC items

FINISH

- Polyester powder paint; RAL 7035 textured light gray standard
- Custom colors available
- EMC-protected frames: plated (not painted) to provide corrosion resistance while maintaining a metal-to-metal contact with the metal fiber gasket used in ProLine G2 EMC Industrial Packages

LOAD RATING

- 3500 lb (1587kg), safety factor 1.5; frame size: 2000x600x800 mm (load ratings vary by frame size)

ACCESSORIES

- Solid Doors (Single or Overlapping Double)
- Solid Top
- Gland Plate
- Side Cover
- Frame Joining Kits
- Grid Strap Network (Rail System)
- Lifting Eyes
- Fastener Packages
- Full Subpanel (Rear or Side)
- Partial Subpanel and Side-Mount Panel
- Panel Support Bracket
- 19-Inch Rack Angles
- Center Upright

BULLETIN: P40
Standard Product

Catalog Number	AxBxC mm	AxBxC in.	H x W x D (mm)	Maximum Subpanel Size (mm)	Maximum Subpanel Size (in.)	Maximum Rack Mount Units	Description
P2F664	599 x 599 x 394	23.59 x 23.57 x 15.52	600 x 600 x 400	506x528	19.9x20.8	8	Painted
P2F666	599 x 599 x 594	23.59 x 23.57 x 23.39	600 x 600 x 600	506x528	19.9x20.8	8	Painted
P2F688	599 x 799 x 794	23.59 x 31.45 x 31.26	600 x 800 x 800	506x728	19.9x28.7	8	Painted
P2F864	799 x 599 x 394	31.46 x 23.57 x 15.52	800 x 600 x 400	706x528	27.8x20.8	13	Painted
P2F866	799 x 599 x 594	31.46 x 23.57 x 23.39	800 x 600 x 600	706x528	27.8x20.8	13	Painted
P2F888	799 x 799 x 794	31.46 x 31.45 x 31.26	800 x 800 x 800	706x728	27.8x28.7	13	Painted
P2F1064	999 x 599 x 394	39.34 x 23.57 x 15.52	1000 x 600 x 400	906x528	35.7x20.8	18	Painted
P2F1065	999 x 599 x 494	39.34 x 23.57 x 19.45	1000 x 600 x 500	906x528	35.7x20.8	18	Painted
P2F1066	999 x 599 x 594	39.34 x 23.57 x 23.39	1000 x 600 x 600	906x528	35.7x20.8	18	Painted
P2F1085	999 x 799 x 494	39.34 x 31.45 x 19.45	1000 x 800 x 500	906x728	35.7x28.7	18	Painted
P2F1086	999 x 799 x 594	39.34 x 31.45 x 23.39	1000 x 800 x 600	906x728	35.7x28.7	18	Painted
P2F1088	999 x 799 x 794	39.34 x 31.45 x 31.26	1000 x 800 x 800	906x728	35.7x28.7	18	Painted
P2F10125	999 x 1199 x 494	39.34 x 47.20 x 19.45	1000 x 1200 x 500	906x1128	35.7x44.4	18	Painted
P2F1264	1199 x 599 x 394	47.21 x 23.57 x 15.52	1200 x 600 x 400	1106x528	43.5x20.8	23	Painted
P2F1265	1199 x 599 x 494	47.21 x 23.57 x 19.45	1200 x 600 x 500	1106x528	43.5x20.8	23	Painted
P2F1266	1199 x 599 x 594	47.21 x 23.57 x 23.39	1200 x 600 x 600	1106x528	43.5x20.8	23	Painted
P2F1285	1199 x 799 x 494	47.21 x 31.45 x 19.45	1200 x 800 x 500	1106x728	43.5x28.7	23	Painted
P2F1286	1199 x 799 x 594	47.21 x 31.45 x 23.39	1200 x 800 x 600	1106x728	43.5x28.7	23	Painted
P2F1288	1199 x 799 x 794	47.21 x 31.45 x 31.26	1200 x 800 x 800	1106x728	43.5x28.7	23	Painted
P2F12125	1199 x 1199 x 494	47.21 x 47.20 x 19.45	1200 x 1200 x 500	1106x1128	43.5x44.4	23	Painted
P2F1465	1399 x 599 x 494	55.09 x 23.57 x 19.45	1400 x 600 x 500	1306x528	51.4x20.8	28	Painted
P2F1466	1399 x 599 x 594	55.09 x 23.57 x 23.39	1400 x 600 x 600	1306x528	51.4x20.8	28	Painted
P2F1466HF	1399 x 599 x 594	55.09 x 23.57 x 23.39	1400 x 600 x 600	1306x528	51.4x20.8	28	EMC

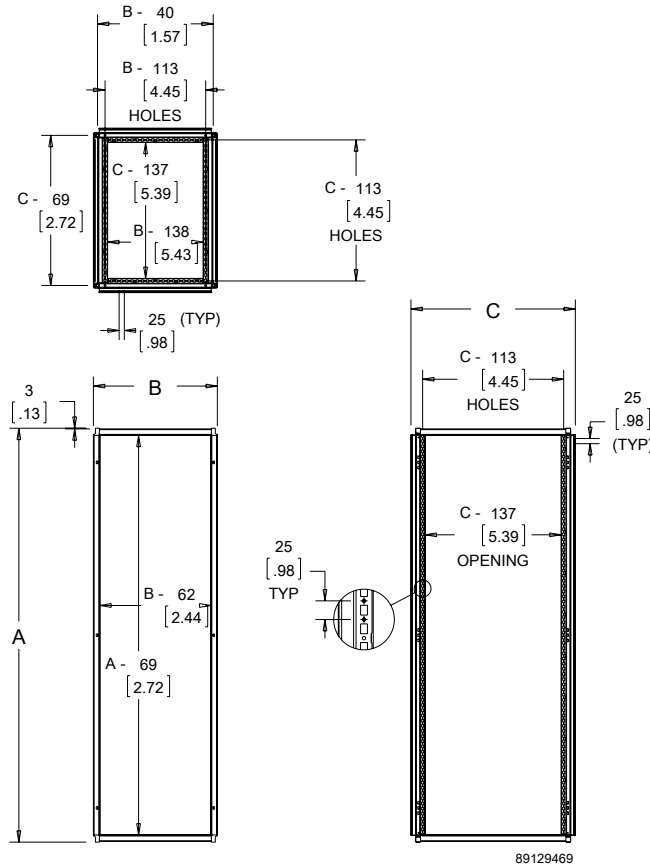
Catalog Number	AxBxC mm	AxBxC in.	H x W x D (mm)	Maximum Subpanel Size (mm)	Maximum Subpanel Size (in.)	Maximum Rack Mount Units	Description
P2F1485	1399 x 799 x 494	55.09 x 31.45 x 19.45	1400 x 800 x 500	1306x728	51.4x28.7	28	Painted
P2F1486	1399 x 799 x 594	55.09 x 31.45 x 23.39	1400 x 800 x 600	1306x728	51.4x28.7	28	Painted
P2F1488	1399 x 799 x 794	55.09 x 31.45 x 31.26	1400 x 800 x 800	1306x728	51.4x28.7	28	Painted
P2F14125	1399 x 1199 x 494	55.09 x 47.20 x 19.45	1400 x 1200 x 500	1306x1128	51.4x44.4	28	Painted
P2F1664	1599 x 599 x 394	62.96 x 23.57 x 15.52	1600 x 600 x 400	1506x528	59.3x20.8	33	Painted
P2F1665	1599 x 599 x 494	62.96 x 23.57 x 19.45	1600 x 600 x 500	1506x528	59.3x20.8	33	Painted
P2F1666	1599 x 599 x 594	62.96 x 23.57 x 23.39	1600 x 600 x 600	1506x528	59.3x20.8	33	Painted
P2F1668	1599 x 599 x 794	62.96 x 23.57 x 31.26	1600 x 600 x 800	1506x528	59.3x20.8	33	Painted
P2F1684	1599 x 799 x 394	62.96 x 31.45 x 15.52	1600 x 800 x 400	1506x728	59.3x28.7	33	Painted
P2F1685	1599 x 799 x 494	62.96 x 31.45 x 19.45	1600 x 800 x 500	1506x728	59.3x28.7	33	Painted
P2F1686	1599 x 799 x 594	62.96 x 31.45 x 23.39	1600 x 800 x 600	1506x728	59.3x28.7	33	Painted
P2F1688	1599 x 799 x 794	62.96 x 31.45 x 31.26	1600 x 800 x 800	1506x728	59.3x28.7	33	Painted
P2F16104	1599 x 999 x 394	62.96 x 39.32 x 15.52	1600 x 1000 x 400	1506x928	59.3x36.5	33	Painted
P2F16106	1599 x 999 x 494	62.96 x 39.32 x 19.45	1600 x 1000 x 500	1506x928	59.3x36.5	33	Painted
P2F16124	1599 x 1199 x 394	62.96 x 47.20 x 15.52	1600 x 1200 x 400	1506x1128	59.3x44.4	33	Painted
P2F16125	1599 x 1199 x 494	62.96 x 47.20 x 19.45	1600 x 1200 x 500	1506x1128	59.3x44.4	33	Painted
P2F16126	1599 x 1199 x 594	62.96 x 47.20 x 23.39	1600 x 1200 x 600	1506x1128	59.3x44.4	33	Painted
P2F16128	1599 x 1199 x 794	62.96 x 47.20 x 31.26	1600 x 1200 x 800	1506x1128	59.3x44.4	33	Painted
P2F16164	1599 x 1599 x 394	62.96 x 62.94 x 15.52	1600 x 1600 x 400	1506x1528	59.3x60.2	33	Painted
P2F16165	1599 x 1599 x 494	62.96 x 62.94 x 19.45	1600 x 1600 x 500	1506x1528	59.3x60.2	33	Painted
P2F16166	1599 x 1599 x 594	62.96 x 62.94 x 23.39	1600 x 1600 x 600	1506x1528	59.3x60.2	33	Painted
P2F16168	1599 x 1599 x 794	62.96 x 62.94 x 31.26	1600 x 1600 x 800	1506x1528	59.3x60.2	33	Painted
P2F1845	1799 x 399 x 494	70.83 x 15.70 x 19.45	1800 x 400 x 500	1706x328	67.2x12.9	38	Painted
P2F1846	1799 x 399 x 594	70.83 x 15.70 x 23.39	1800 x 400 x 600	1706x328	67.2x12.9	38	Painted
P2F1864	1799 x 599 x 394	70.83 x 23.57 x 15.52	1800 x 600 x 400	1706x528	67.2x20.8	38	Painted
P2F1865	1799 x 599 x 494	70.83 x 23.57 x 19.45	1800 x 600 x 500	1706x528	67.2x20.8	38	Painted
P2F1866	1799 x 599 x 594	70.83 x 23.57 x 23.39	1800 x 600 x 600	1706x528	67.2x20.8	38	Painted
P2F1866HF	1799 x 599 x 594	70.83 x 23.57 x 23.39	1800 x 600 x 600	1706x528	67.2x20.8	38	EMC
P2F1884	1799 x 799 x 394	70.83 x 31.45 x 15.52	1800 x 800 x 400	1706x728	67.2x28.7	38	Painted
P2F1885	1799 x 799 x 494	70.83 x 31.45 x 19.45	1800 x 800 x 500	1706x728	67.2x28.7	38	Painted
P2F1886	1799 x 799 x 594	70.83 x 31.45 x 23.39	1800 x 800 x 600	1706x728	67.2x28.7	38	Painted
P2F1888	1799 x 799 x 794	70.83 x 31.45 x 31.26	1800 x 800 x 800	1706x728	67.2x28.7	38	Painted
P2F18104	1799 x 999 x 394	70.83 x 39.32 x 15.52	1800 x 1000 x 400	1706x928	67.2x36.5	38	Painted
P2F18105	1799 x 999 x 494	70.83 x 39.32 x 19.45	1800 x 1000 x 500	1706x928	67.2x36.5	38	Painted
P2F18106	1799 x 999 x 594	70.83 x 39.32 x 23.39	1800 x 1000 x 600	1706x928	67.2x36.5	38	Painted
P2F18106HF	1799 x 999 x 594	70.83 x 39.32 x 23.39	1800 x 1000 x 600	1706x928	67.2x36.5	38	EMC
P2F18124	1799 x 1199 x 394	70.83 x 47.20 x 15.52	1800 x 1200 x 400	1706x1128	67.2x44.4	38	Painted
P2F18125	1799 x 1199 x 494	70.83 x 47.20 x 19.45	1800 x 1200 x 500	1706x1128	67.2x44.4	38	Painted
P2F18126	1799 x 1199 x 594	70.83 x 47.20 x 23.39	1800 x 1200 x 600	1706x1128	67.2x44.4	38	Painted
P2F18128	1799 x 1199 x 794	70.83 x 47.20 x 31.26	1800 x 1200 x 800	1706x1128	67.2x44.4	38	Painted
P2F18164	1799 x 1599 x 394	70.83 x 62.94 x 15.52	1800 x 1600 x 400	1706x1528	67.2x60.2	38	Painted
P2F18165	1799 x 1599 x 494	70.83 x 62.94 x 19.45	1800 x 1600 x 500	1706x1528	67.2x60.2	38	Painted
P2F18166	1799 x 1599 x 594	70.83 x 62.94 x 23.39	1800 x 1600 x 600	1706x1528	67.2x60.2	38	Painted
P2F18168	1799 x 1599 x 794	70.83 x 62.94 x 31.26	1800 x 1600 x 800	1706x1528	67.2x60.2	38	Painted
P2F18185	1799 x 1799 x 494	70.83 x 70.82 x 19.45	1800 x 1800 x 500	1706x1728	67.2x68.0	38	Painted
P2F18186	1799 x 1799 x 594	70.83 x 70.82 x 23.39	1800 x 1800 x 600	1706x1728	67.2x68.0	38	Painted
P2F18188	1799 x 1799 x 794	70.83 x 70.82 x 31.26	1800 x 1800 x 800	1706x1728	67.2x68.0	38	Painted
P2F2045	1999 x 399 x 494	78.71 x 15.70 x 19.45	2000 x 400 x 500	1906x328	75.0x12.9	42	Painted
P2F2046	1999 x 399 x 594	78.71 x 15.70 x 23.39	2000 x 400 x 600	1906x328	75.0x12.9	42	Painted
P2F2064	1999 x 599 x 394	78.71 x 23.57 x 15.52	2000 x 600 x 400	1906x528	75.0x20.8	42	Painted
P2F2065	1999 x 599 x 494	78.71 x 23.57 x 19.45	2000 x 600 x 500	1906x528	75.0x20.8	42	Painted
P2F2066	1999 x 599 x 594	78.71 x 23.57 x 23.39	2000 x 600 x 600	1906x528	75.0x20.8	42	Painted
P2F2066HF	1999 x 599 x 594	78.71 x 23.57 x 23.39	2000 x 600 x 600	1906x528	75.0x20.8	42	EMC
P2F2084	1999 x 799 x 394	78.71 x 31.45 x 15.52	2000 x 800 x 400	1906x728	75.0x28.7	42	Painted
P2F2085	1999 x 799 x 494	78.71 x 31.45 x 19.45	2000 x 800 x 500	1906x728	75.0x28.7	42	Painted
P2F2086	1999 x 799 x 594	78.71 x 31.45 x 23.39	2000 x 800 x 600	1906x728	75.0x28.7	42	Painted
P2F2086HF	1999 x 799 x 594	78.71 x 31.45 x 23.39	2000 x 800 x 600	1906x728	75.0x28.7	42	EMC
P2F20810	1999 x 799 x 994	78.71 x 31.45 x 39.14	2000 x 800 x 1000	1906x728	75.0x28.7	42	Painted
P2F20104	1999 x 999 x 394	78.71 x 39.32 x 15.52	2000 x 1000 x 400	1906x928	75.0x36.5	42	Painted
P2F20105	1999 x 999 x 494	78.71 x 39.32 x 19.45	2000 x 1000 x 500	1906x928	75.0x36.5	42	Painted
P2F20106	1999 x 999 x 594	78.71 x 39.32 x 23.39	2000 x 1000 x 600	1906x928	75.0x36.5	42	Painted
P2F20108	1999 x 999 x 794	78.71 x 39.32 x 31.26	2000 x 1000 x 800	1906x928	75.0x36.5	42	Painted
P2F20124	1999 x 1199 x 394	78.71 x 47.20 x 15.52	2000 x 1200 x 400	1906x1128	75.0x44.4	42	Painted
P2F20125	1999 x 1199 x 494	78.71 x 47.20 x 19.45	2000 x 1200 x 500	1906x1128	75.0x44.4	42	Painted
P2F20126	1999 x 1199 x 594	78.71 x 47.20 x 23.39	2000 x 1200 x 600	1906x1128	75.0x44.4	42	Painted
P2F20128	1999 x 1199 x 794	78.71 x 47.20 x 31.26	2000 x 1200 x 800	1906x1128	75.0x44.4	42	Painted
P2F20165	1999 x 1599 x 494	78.71 x 62.94 x 19.45	2000 x 1600 x 500	1906x1528	75.0x60.2	42	Painted
P2F20166	1999 x 1599 x 594	78.71 x 62.94 x 23.39	2000 x 1600 x 600	1906x1528	75.0x60.2	42	Painted
P2F20168	1999 x 1599 x 794	78.71 x 62.94 x 31.26	2000 x 1600 x 800	1906x1528	75.0x60.2	42	Painted
P2F20185	1999 x 1799 x 494	78.71 x 70.82 x 19.45	2000 x 1800 x 500	1906x1728	75.0x68.0	42	Painted
P2F20186	1999 x 1799 x 594	78.71 x 70.82 x 23.39	2000 x 1800 x 600	1906x1728	75.0x68.0	42	Painted
P2F20188	1999 x 1799 x 794	78.71 x 70.82 x 31.26	2000 x 1800 x 800	1906x1728	75.0x68.0	42	Painted
P2F2265	2199 x 599 x 494	86.58 x 23.57 x 19.45	2200 x 600 x 500	2106x528	82.9x20.8	47	Painted
P2F2266	2199 x 599 x 594	86.58 x 23.57 x 23.39	2200 x 600 x 600	2106x528	82.9x20.8	47	Painted
P2F2285	2199 x 799 x 494	86.58 x 31.45 x 19.45	2200 x 800 x 500	2106x728	82.9x28.7	47	Painted
P2F2266HF	2199 x 599 x 594	86.58 x 23.57 x 23.39	2200 x 800 x 500	2106x728	82.9x28.7	47	EMC
P2F2286	2199 x 799 x 594	86.58 x 31.45 x 23.39	2200 x 800 x 600	2106x728	82.9x28.7	47	Painted
P2F2286HF	2199 x 799 x 594	86.58 x 31.45 x 23.39	2200 x 800 x 600	2106x728	82.9x28.7	47	EMC
P2F2288	2199 x 799 x 794	86.58 x 31.45 x 31.26	2200x800x800	2106x728	82.9x28.7	47	Painted
P2F22810	2199 x 799 x 994	86.58 x 31.45 x 39.14	2200 x 800 x 1000	2106x728	82.9x28.7	47	Painted
P2F22105	2199 x 999 x 494	86.58 x 39.32 x 19.45	2200 x 1000 x 500	2106x928	82.9x36.5	47	Painted
P2F22106	2199 x 999 x 594	86.58 x 39.32 x 23.39	2200 x 1000 x 600	2106x928	82.9x36.5	47	Painted
P2F22108	2199 x 999 x 794	86.58 x 39.32 x 31.26	2200 x 1000 x 800	2106x928	82.9x36.5	47	Painted
P2F22125	2199 x 1199 x 494	86.58 x 47.20 x 19.45	2200 x 1200 x 500	2106x1128	82.9x44.4	47	Painted
P2F22126	2199 x 1199 x 594	86.58 x 47.20 x 23.39	2200 x 1200 x 600	2106x1128	82.9x44.4	47	Painted
P2F22128	2199 x 1199 x 794	86.58 x 47.20 x 31.26	2200 x 1200 x 800	2106x1128	82.9x44.4	47	Painted
P2F22165	2199 x 1599 x 494	86.58 x 62.94 x 19.45	2200 x 1600 x 500	2106x1528	82.9x60.2	47	Painted

Catalog Number	AxBxC mm	AxBxC in.	H x W x D (mm)	Maximum Subpanel Size (mm)	Maximum Subpanel Size (in.)	Maximum Rack Mount Units	Description
P2F22166	2199 x 1599 x 594	86.58 x 62.94 x 23.39	2200 x 1600 x 600	2106x1528	82.9x60.2	47	Painted
P2F22168	2199 x 1599 x 794	86.58 x 62.94 x 31.26	2200 x 1600 x 800	2106x1528	82.9x60.2	47	Painted
P2F22185	2199 x 1799 x 494	86.58 x 70.82 x 19.45	2200 x 1800 x 500	2106x1728	82.9x68.0	47	Painted
P2F22186	2199 x 1799 x 594	86.58 x 70.82 x 23.39	2200 x 1800 x 600	2106x1728	82.9x68.0	47	Painted
P2F22188	2199 x 1799 x 794	86.58 x 70.82 x 31.26	2200 x 1800 x 800	2106x1728	82.9x68.0	47	Painted

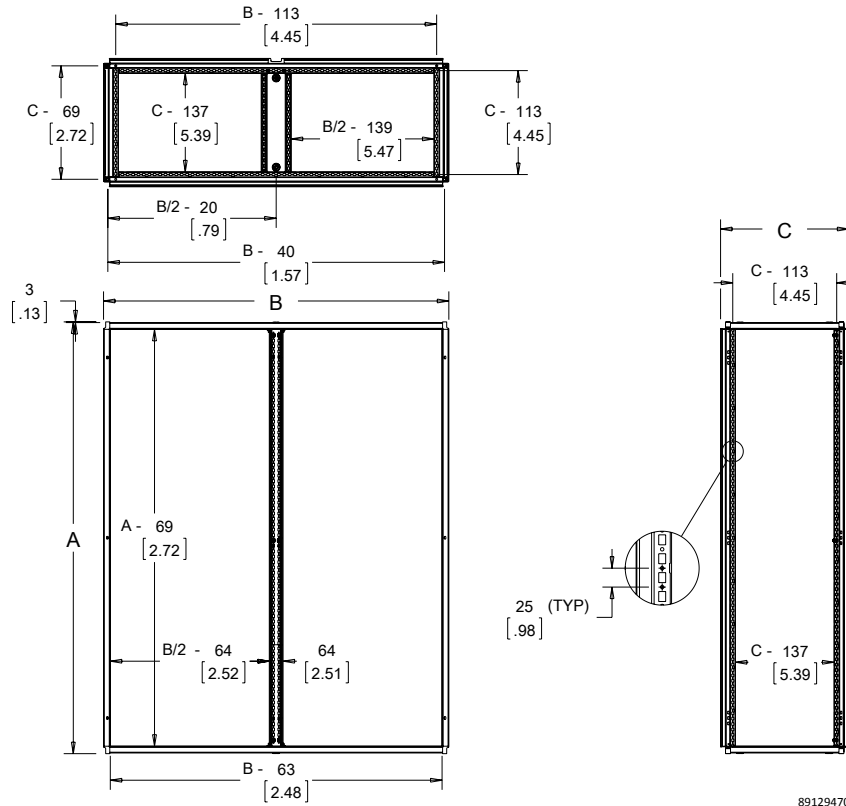
HxWxD are nominal height, width and depth dimensions.

Model	Component	Type	Height	Width	Depth	Specialty	Catalog Number
P2	F	Blank	20	8	6	Blank	P2F2086
PROLINE G2	Frame	Blank = standard D = disconnect	mm 22 = 2200 20 = 2000 18 = 1800 16 = 1600 14 = 1400 12 = 1200 10 = 1000 8 = 800 6 = 600	mm 18 = 1800 16 = 1600 14 = 1400 12 = 1200 10 = 1000 8 = 800 6 = 600 4 = 400	mm 10 = 1000 8 = 800 6 = 600 5 = 500 4 = 400	Blank = standard HF = EMC protected	

NOTE: Not every combination is available as a standard product.



89129469



89129470

Frame Size Matrix

Nominal Height (mm)	Nominal Width (mm)	Nominal Depth (mm)*
600	600, 800	400, 600, 800
800	600, 800	400, 600, 800
1000	600, 800, 1200	400, 500, 600, 800
1200	600, 800, 1200	400, 500, 600, 800
1400	600, 800, 1200	500, 600, 800
1600	600, 800, 1200	500, 600, 800
1800	600, 800, 1200, 1600	400, 500, 600, 800
2000	400, 600, 800, 1000, 1200, 1600, 1800	400, 500, 600, 800, 1000
2200	400, 600, 800, 1000, 1200, 1600, 1800	400, 500, 600, 800, 1000

* Not every depth is available for each width

Custom sizes available upon request

Door Selection Matrix

Nominal Width (mm)	1 Door*	2 Door**
600	.	.
800	.	.
1000	.	.
1200 or greater	.	.

* Reversible hinging

** Overlapping double door; reversible hinging



APPLICATION

ProLine G2 Disconnect Frames can be used with ProLine G2 Disconnect Doors and Disconnect components to configure a custom Disconnect Enclosure Solution from standard modular enclosure components.

FEATURES

- Required for disconnect enclosure greater than 1000 mm wide
- Includes two removable center uprights (front and rear) which are offset 100 mm from the center of the frame
- Superior performance under load: 12 gauge (2.5 mm) roll-formed steel frame

SPECIFICATIONS

- Welded corners with steel corner blocks
- 12 gauge, roll-formed steel frame sections
- Hybrid frame profile
- Flange trough collar on door and side openings deflect dust and debris away from the enclosure interior
- Integral frame channels support the full weight of the mounting subpanel
- Accommodates 25-mm DIN standard; rectangular frame holes designed for BV-M6 fastener or metric cage nut fasteners; round frame holes accommodate M5 self-tapping screws and allow numerous grounding locations using M5 thread-forming screws

FINISH

- Polyester powder paint; RAL 7035 textured light gray standard
- Custom colors available

ACCESSORIES

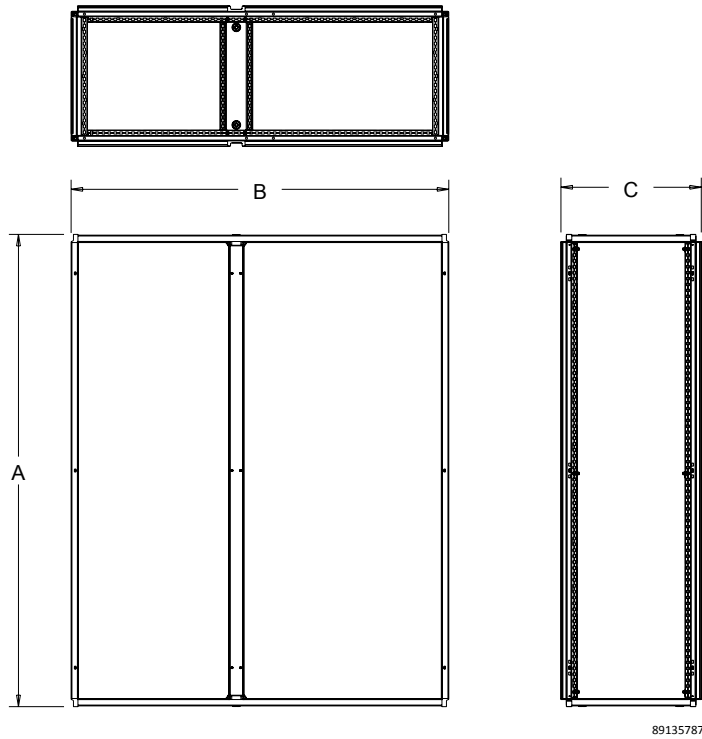
- Disconnect Doors
- Disconnect Components
- Barrier Panel
- Side Cover
- Lifting Eyes
- Frame Joining Kits
- Fastener Packages
- Full Subpanel (Rear or Side)
- Partial Subpanel and Side-Mount Panel
- Panel Support Bracket
- Grid Strap Network (Rail System)

BULLETIN: P40

Standard Product

Catalog Number	AxBxC mm	AxBxC in.	HxWxD (mm)	Maximum Subpanel Size (mm)	Maximum Subpanel Size (in.)	Maximum Rack Mount Units
P2FD16124	1599 x 1199 x 394	62.95 x 47.20 x 15.51	1600x1200x400	1506x1128	59.3x44.4	33
P2FD16126	1599 x 1199 x 594	62.95 x 47.20 x 23.39	1600x1200x600	1506x1128	59.3x44.4	33
P2FD16164	1599 x 1599 x 394	62.95 x 62.95 x 15.51	1600x1600x400	1506x1528	59.3x60.2	33
P2FD16166	1599 x 1599 x 594	62.95 x 62.95 x 23.39	1600x1600x600	1506x1528	59.3x60.2	33
P2FD18124	1799 x 1199 x 394	70.83 x 47.20 x 15.51	1800x1200x400	1706x1128	67.2x44.4	38
P2FD18126	1799 x 1199 x 594	70.83 x 47.20 x 23.39	1800x1200x600	1706x1128	67.2x44.4	38
P2FD18164	1799 x 1599 x 394	70.83 x 62.95 x 15.51	1800x1600x400	1706x1528	67.2x60.2	38
P2FD18166	1799 x 1599 x 594	70.83 x 62.95 x 23.39	1800x1600x600	1706x1528	67.2x60.2	38
P2FD18184	1799 x 1799 x 394	70.83 x 70.83 x 15.51	1800x1800x400	1706x1728	67.2x68.0	38
P2FD18186	1799 x 1799 x 594	70.83 x 70.83 x 23.39	1800x1800x600	1706x1728	67.2x68.0	38
P2FD20124	1999 x 1199 x 394	78.70 x 47.20 x 15.51	2000x1200x400	1906x1128	75.0x44.4	42
P2FD20126	1999 x 1199 x 594	78.70 x 47.20 x 23.39	2000x1200x600	1906x1128	75.0x44.4	42
P2FD20164	1999 x 1599 x 394	78.70 x 62.95 x 15.51	2000x1600x400	1906x1528	75.0x60.2	42
P2FD20166	1999 x 1599 x 594	78.70 x 62.95 x 23.39	2000x1600x600	1906x1528	75.0x60.2	42
P2FD20184	1999 x 1799 x 394	78.70 x 70.83 x 15.51	2000x1800x400	1906x1728	75.0x68.0	42
P2FD20186	1999 x 1799 x 594	78.70 x 70.83 x 23.39	2000x1800x600	1906x1728	75.0x68.0	42
P2FD22124	2199 x 1199 x 394	86.57 x 47.20 x 15.51	2200x1200x400	2106x1128	82.9x44.4	47
P2FD22126	2199 x 1199 x 594	86.57 x 47.20 x 23.39	2200x1200x600	2106x1128	82.9x44.4	47
P2FD22164	2199 x 1599 x 394	86.57 x 62.95 x 15.51	2200x1600x400	2106x1528	82.9x60.2	47
P2FD22166	2199 x 1599 x 594	86.57 x 62.95 x 23.39	2200x1600x600	2106x1528	82.9x60.2	47
P2FD22184	2199 x 1799 x 394	86.57 x 70.83 x 15.51	2200x1800x400	2106x1728	82.9x68.0	47
P2FD22186	2199 x 1799 x 594	86.57 x 70.83 x 23.39	2200x1800x600	2106x1728	82.9x68.0	47

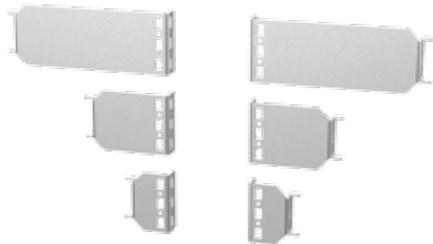
HxWxD are nominal height, width and depth dimensions.



Model	Component	Type	Height	Width	Depth	Specialty	Catalog Number
P2	F	D	20	18	6	Blank	P2FD20186
PROLINE G2	Frame	Blank = standard D = disconnect	mm 22 = 2200 20 = 2000 18 = 1800 16 = 1600	mm 18 = 1800 16 = 1600 12 = 1200	mm 6 = 600 4 = 400	Blank = standard	

NOTE: Not every combination is available as a standard product.

FRAME REDUCING BRACKETS



APPLICATION

- Frame-Reducing Brackets are used to reduce wider frames to 600mm, allowing 19-in. rack angles to fit
- Brackets can also be used to left- or right- justify rack-mounted equipment

SPECIFICATIONS

- Furnished in sets of four
- 14 gauge (1.75 mm) steel
- Mounting hardware included

FINISH

Plated

BULLETIN: P40

Catalog Number	Length (mm)	Length (in.)	Converts Frame Width (mm)
P2AFRB50	50	2.0	From 800 to 700
P2AFRB100	100	3.9	From 800 to 600
P2AFRB200	200	7.9	From 1000 to 600

FRAME ACCESSORY BRACKETS



APPLICATION

Frame Accessory Brackets mount directly to the PROLINE G2 frame and are used in place of rack angles to mount rack accessories such as shelves and pull-out shelves.

SPECIFICATIONS

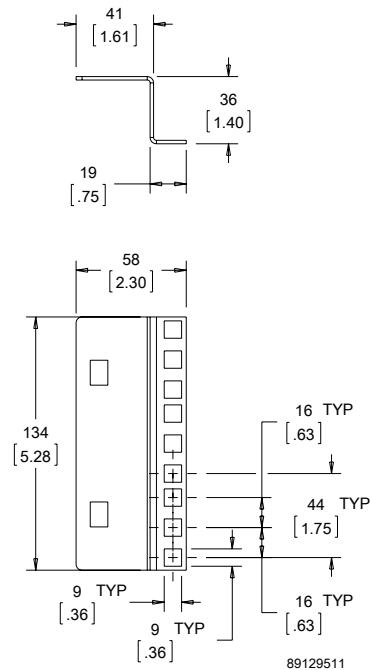
- Furnished in sets of four
- 14-gauge (1.75 mm) steel
- Mounting hardware included

FINISH

Plated

BULLETIN: P40

Catalog Number	Description
P2AFB19	19-in. Frame Accessory Bracket



TOUCH-UP PAINT



For repairing the finish of any painted parts.

BULLETIN: DACCY, P20

Catalog Number	Description
ATPG7035	RAL 7035 Gray
ATPB9005	RAL 9005 Black

FASTENER PACKAGES



ProLine G2 Fastener Packages can be ordered if extra or alternate fasteners are required.

P2ABVM6FP includes (10) BV-M6 fasteners (Blind, Variable M6 screw-based fastener), an innovative alternative to cage nuts or self-tapping screws that can cause stripped holes. The fastener

combines a screw and nut in one easy-to-handle package. With the BV-M6 there's no need to access the back of the fastener to tighten, and the thickness of the item being attached need not be predefined. When the BV-M6 is tightened, the embedded nut engages and moves up the screw thread to fasten.

P2ACNFP can be used instead of the BV-M6 fastener to mount components directly to the rectangular holes on the frame or grid straps.

P2ASTXFP can be used to mount components directly to the round holes on the frame or grid straps.

BULLETIN: P40

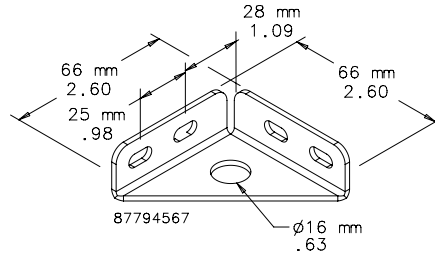
Catalog Number	Description
P2ABVM6FP	(10) BV-M6 fasteners
P2ACNFP	(20) front-loading M6 clip nuts and (20) M6 Torx head screws
P2ASTXFP	(20) self-tapping, M5 Torx head screws

FRAME FLOOR-MOUNTING BRACKET



Provides a structural method of bolting a ProLine G2 frame to the floor from inside the frame. Brackets are constructed of 12 gauge (2.5mm) plated mild steel and fit all frame sizes. Kit includes four brackets and mounting hardware.

BULLETIN: P40



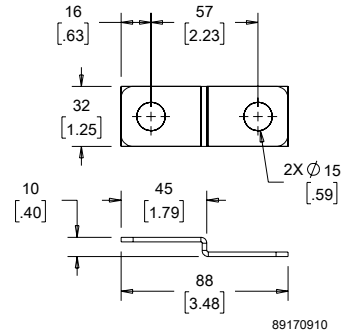
Catalog Number	Description
P2AFMK	Frame Floor-Mounting Bracket

EXTERNAL FRAME FLOOR MOUNTING BRACKET KIT



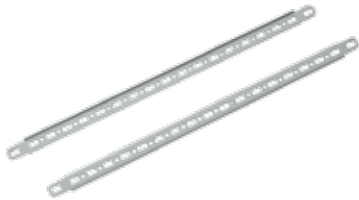
The External Frame Floor Mounting Bracket Kit provides a convenient method to secure the enclosure to the floor. The jogged brackets mount between the base and the base securing bolts, and extend just beyond the edge of the enclosure. The brackets are constructed from 12-gauge (2.5 mm) galvanized steel.

BULLETIN: P40



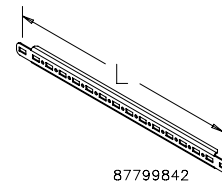
Catalog Number	Description
P2AFMKE	External Frame Floor Mounting Bracket Kit

WIRE MANAGEMENT RAILS



Wire Management Rails are 14 gauge steel with a plated finish. They feature a unique hole pattern that allows either wire ties or fasteners to secure wires in place. Frame-mounting hardware is included. One package contains 20 rails.

BULLETIN: P40



Catalog Number	L mm/in.	Fits Frame Depth mm
P2AWMR4	304 12.0	400
P2AWMR5	404 15.9	500
P2AWMR6	504 19.8	600
P2AWMR8	704 27.7	800
P2AWMR10	904 35.6	1000