



Banc National d'Epreuve
Saint-Etienne



The laboratory is accredited by
COFRAC: French COmmittee for
ACcreditation, signatory to the EA, &
ILAC mutual recognition agreement.

TEST REPORT N° 162-EN/18/BNE on May 23, 2018

DELIVERED TO:

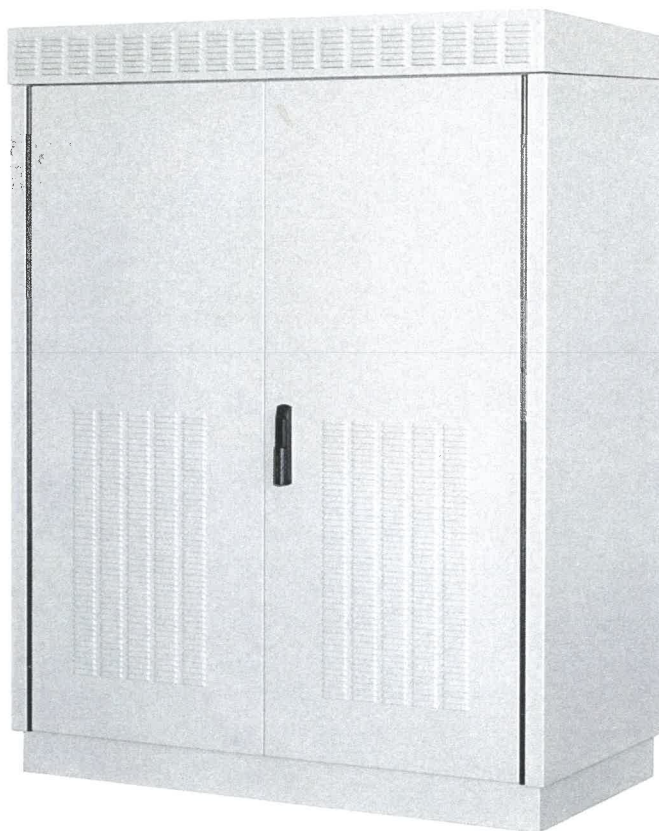
SCHROFF SAS - 4 RUE DU MARAIS
67660 BETSCHDORF - FRANCE

PURPOSE:

Bullet resistance according to §7.4 IEC 61969-3 ed 2.0

TESTED SAMPLE:

Outdoor Modular cabinet 29U
Item number : 10149-337
Size (mm): 1300x1620x615



TESTING DATE : May 22, 2018

Publication : SCHROFF SAS – 1 copy

This test report certifies only to characteristics of the sample subjected to the tests and does not prejudge characteristics of similar products. It does not thus constitute a certification of product in the sense of the article L115-27 of the code of the consumption and the law of June 3rd, 1994.

In order to notify the conformity or non-conformity to the requirements, the uncertainty of the test results has not been explicitly taken into account.

The present report contains 11 pages.

Any reproduction of this test report is authorized only under the shape of complete photographic facsimile except particular agreement written by the Banc National d'Epreuve.

In case of broadcast issue of the present report by electronic way and/or on electronic physical support, only the report in the form of paper support signed by the Banc National d'Epreuve is valid in case of dispute. This report in the form of paper support is preserved in the BNE during a minimal duration of 20 years.

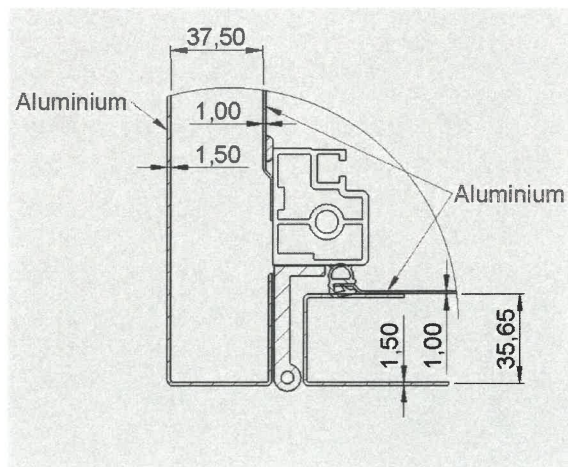
TESTED SAMPLE

Sample supplied by the customer.
See the cabinet drawing 10149-337 at appendix

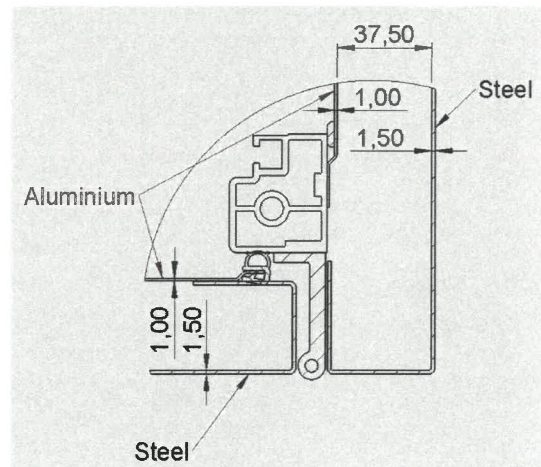
| | |
|----------------------|-----------------------------|
| Sample number | 10149-337 |
| Designation | Outdoor modular cabinet 29U |
| Size (mm) | 1300x1620x615 |



VERSION 1: Outside Aluminum



VERSION 2: Outside Steel



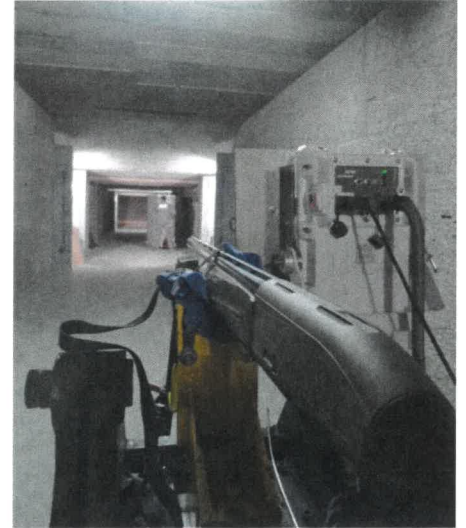
TESTING CONDITIONS

| | May 22, 2018 |
|--|---------------------|
| Shooting range temperature (°C) | 16.8 |
| Shooting range humidity (% RH) | 73 |

Used equipment

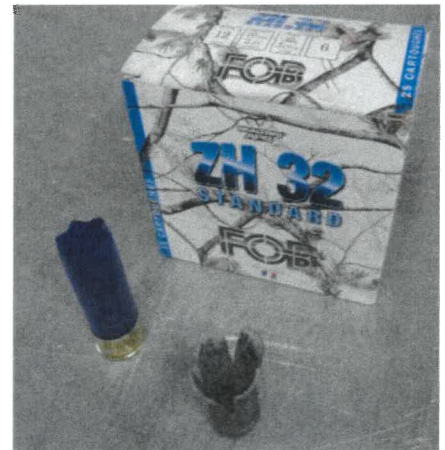
Climatic enclosure: air conditioned room
Velocity measurement: Radar BR1001 M-VIT-11
Gun: Semi-automatic shotgun BERETTA N° XA042390
Caliber 12/76 ½ choke.

Ammunition caliber: 12/70 steel pellets N°6 BATCH N°12101177.



Implementation

The panel is tested at an angle of 0° NATO.
All unique vertical surfaces are subjected to a blast from a 12 gauge shotgun at a distance of 15m.



TESTING RESULTS

See the enclosed results sheet n° 15622 and pictures at appendix.

CONCLUSION

The sample supplied by SCHROFF SAS has been submitted to the ballistic testing.
The outdoor modular cabinet 29U withstood 4 impacts of projectiles caliber 12/70 steel N°6.

No steel pellet perforated any outside wall for both versions 1 & 2

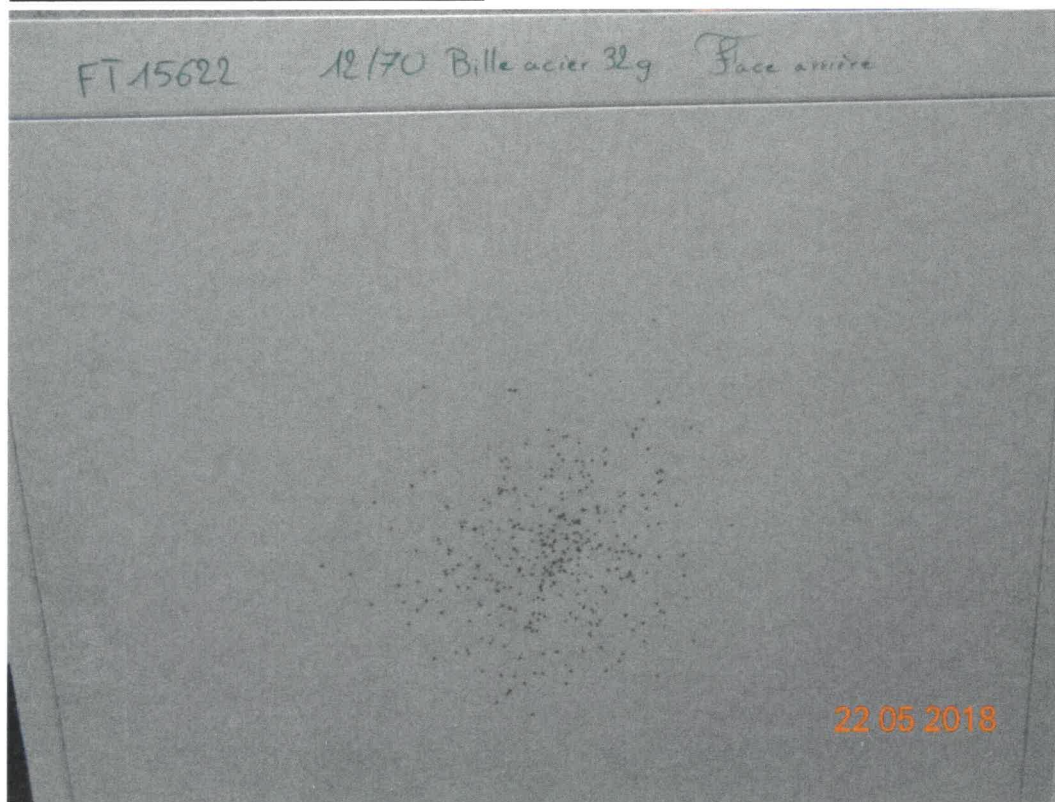
Bullet resistance of the Outdoor enclosure is according to §7.4 IEC 61969-3 ed 2.0

The director
P.RENAUDOT



APPENDIX

Picture from rear side after shooting



Picture from front side after shooting



Picture from right side after shooting

Test Report N° 162-EN/18/BNE on May 23, 2018- Page 5 on 10

O:\Banc\Qualite\PROCESSUS ESSAIS RBMMODELES\trame cofrac anglais Ind D_08_11_2017.dotx

C:\temp\shandjian\Temporary Internet Files\Content.Outlook\IGAFR5D6\TEST REPORT N 162-EN-18-BNE (bro



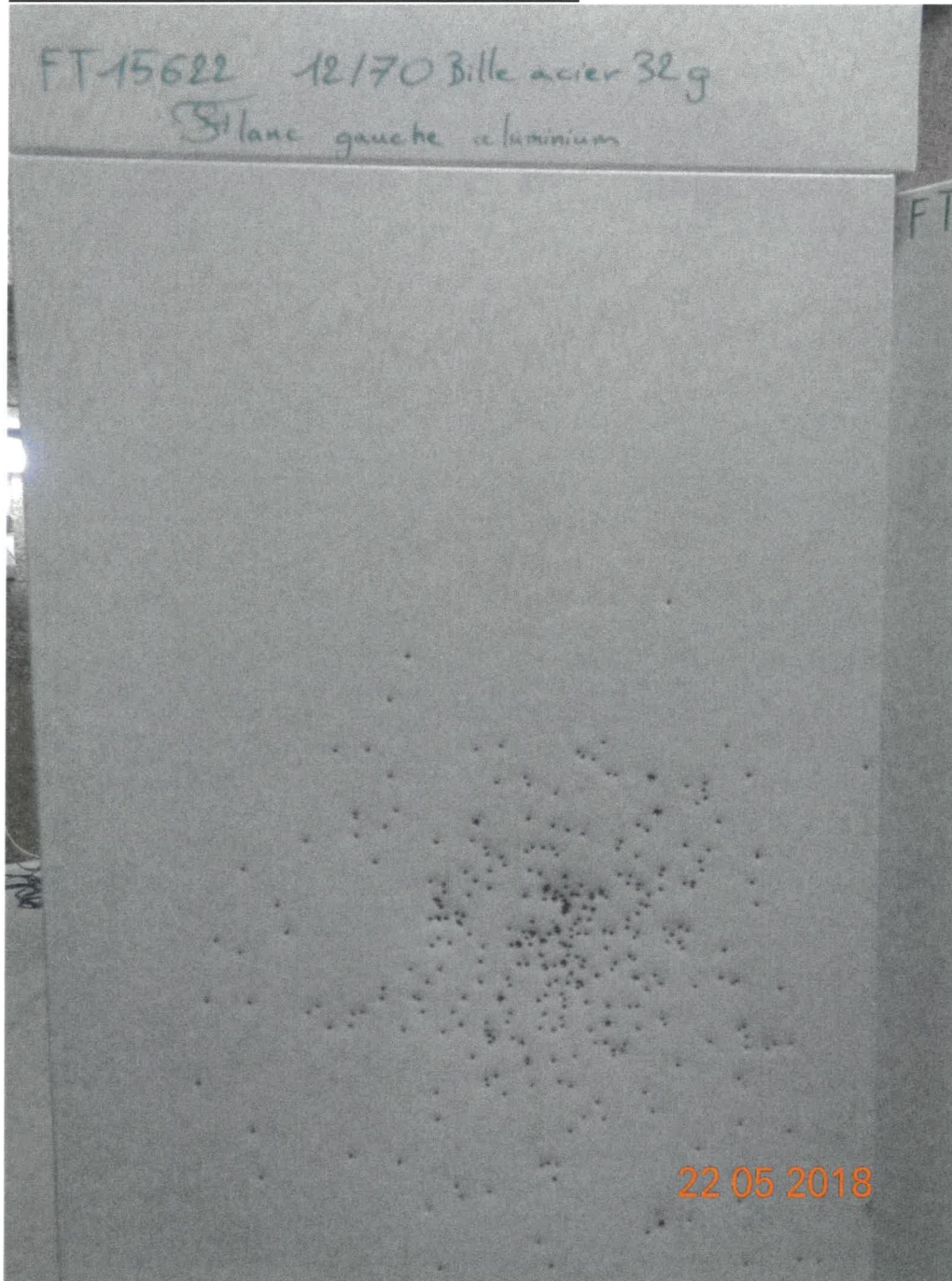
Banc National d'Epreuve
Saint-Etienne

FT 15622 12170 Bille acier 32g Filanc droit
acier

22 05 2018



Picture from left side (version 1) after shooting





BANC NATIONAL D'ÉPREUVE DES ARMES ET MUNITIONS
Chambre de Commerce et d'Industrie de Saint-Etienne/Montbrison
Essais de résistance à l'impact

N° Feuille de Tir : 15622

Eprouvette N° : 10149-337/80

Réf. BNE : RBM-18-1643

Client : SCHROFF SAS

Date : 22/05/2018

Composition : Outdoor Modular Shranck 29 U

Encelinte : Air conditioned room

Enregistreur : M-THR-24

Métrologie Cpt : M-TEL-04, M-RAP-03, M-RUB-36, M-REG-12

Acquisition Vitesse : RADAR BR1001 M-VIT-11

| | |
|------------|------------------------|
| Calibre : | 12/70 |
| Distance : | 15,00 m |
| Canon : | BERETTA n° XA042390 |

Gaine de Tir N° : 1

Temp. Gaine de tir : 16,8 °C

Hum. Gaine de tir : 73 %

| Série | Tir | Calibre | Typ. proj. | Lot | Incidence | V15 (m/s) | Protection | Observations |
|-------|-----|---------|------------|----------|-----------|-----------|------------|---------------------------|
| 1 | 1 | 12/70 | Acier n° 6 | 12170117 | 0° | 307,2 | YES | Back Face in steel |
| 1 | 2 | 12/70 | Acier n° 6 | 12170117 | 0° | 308,8 | YES | Right side panel in steel |
| 1 | 3 | 12/70 | Acier n° 6 | 12170117 | 0° | 308,5 | YES | Front Face in steel |
| 1 | 4 | 12/70 | Acier n° 6 | 12170117 | 0° | 305,8 | YES | Left side panel aluminium |

Opérateurs : M. DOPPLER / M. DESGLENE

Présents : M. GERTZ Daniel

Observations : Any penetration of the enclosure wall by any pellets.
Enclosure dimensions: 1300x815x1620mm

Cahier des charges : Customer's specification dated on April 10th, 2018

Jean-François
Agent
Responsable
Le BANC NATIONAL D'ÉPREUVE DES ARMES ET MUNITIONS
Chambre de Commerce et d'Industrie de Saint-Etienne/Montbrison

"Cet essai a été réalisé dans un laboratoire dont le système de management de la qualité est certifié AFAQ ISO 9001"
"This test was conducted in an AFAQ ISO 9001 certified laboratory"

Page 1/1

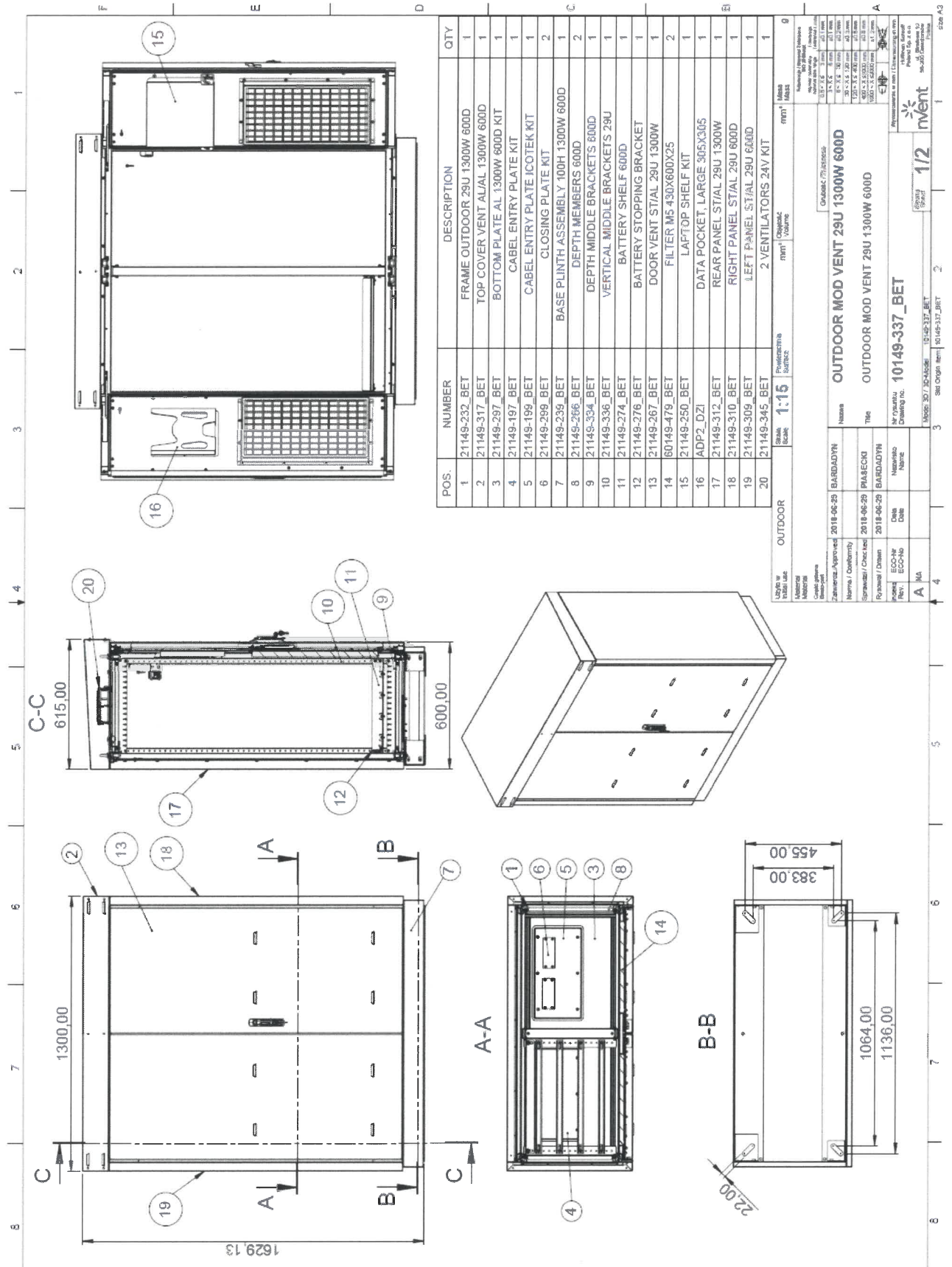


last save:
2018-07-02

The reproduction, distribution and utilization of this document as well as the communication of its contents to others without express authorization is prohibited. Offenders will be held liable for the payment of damages. All rights reserved in the event of the grant of a patent, utility model or design.

Kopowanie, dystrybucja i wykorzystywanie niniejszego dokumentu, jak również przekazywanie jego treści osobom trzecim bez pisemnej zgody jest zabronione pod groźbą wydatku odszkodowawczego. W przypadku przyswojenia patentu, wzoru użytkowego lub projektu, wizerunku prawnie będzie zastrzeżone.

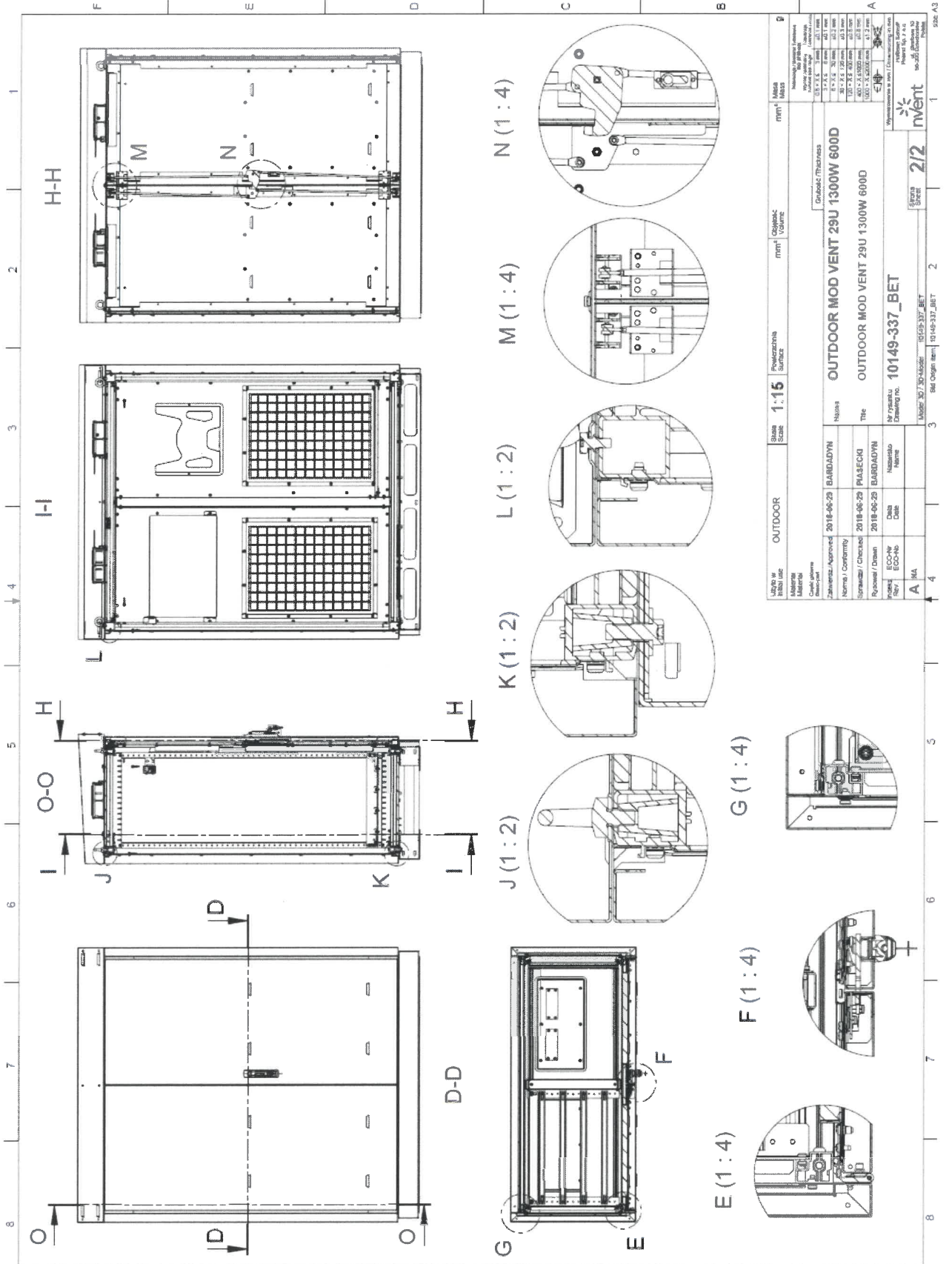
print:
2018-07-02



last save
2018-07-02

The reproduction, distribution and utilization of the document as well as the communication of its contents to others without express authorization is prohibited. Offenders will be held liable for the payment of damages. All rights reserved in the event of the grant of a patent, utility model or design.

Kopowanie, dystrybucja i wykorzystywanie niniejszego dokumentu, jak również przekazywanie jego treści osobom trzecim bez pisemnej zgody jest zakazane pod groźbą wyfalli. Osoby dokonujące wyżej wspomnianych czynności bez pisemnej zgody będą odpowiedzialne za zapłatę szkód. Wszelkie prawa będą zastrzeżone.



| Nazwa i adres nadawcy | | Skala | | Materiał | | Materiał | | Materiał | |
|-----------------------|------------|----------|--------------------------|-----------------|---------------------------------|-----------------|---------------------|-----------------|------|
| OUTDOOR | | 1:15 | Powierzchnia | mm ² | Objętość | mm ³ | Masa | mm ³ | Masa |
| Zatwierdz./Approved | 2018-06-29 | BARBĄDYN | Nazwa | | OUTDOOR MOD VENT 29U 1300W 600D | | Grubość / Thickness | | |
| Norma / Conformity | 2018-06-29 | PLASECJA | Tytuł | | OUTDOOR MOD VENT 29U 1300W 600D | | Ciężar / Weight | | |
| Sprawdz./Checked | 2018-06-29 | BARBĄDYN | Nr rysunku / Drawing No. | | 10149-337_BET | | Materiał / Material | | |
| Numer / Drawn | 2018-06-29 | BARBĄDYN | Data / Date | | | | Materiał / Material | | |
| Wzrost / Height | | | Liczba / No. | | 10149-337_BET | | Materiał / Material | | |
| Waga / Weight | | | Materiał / Material | | | | Materiał / Material | | |
| A | | B | | C | | D | | E | |



Part
2018-07-02