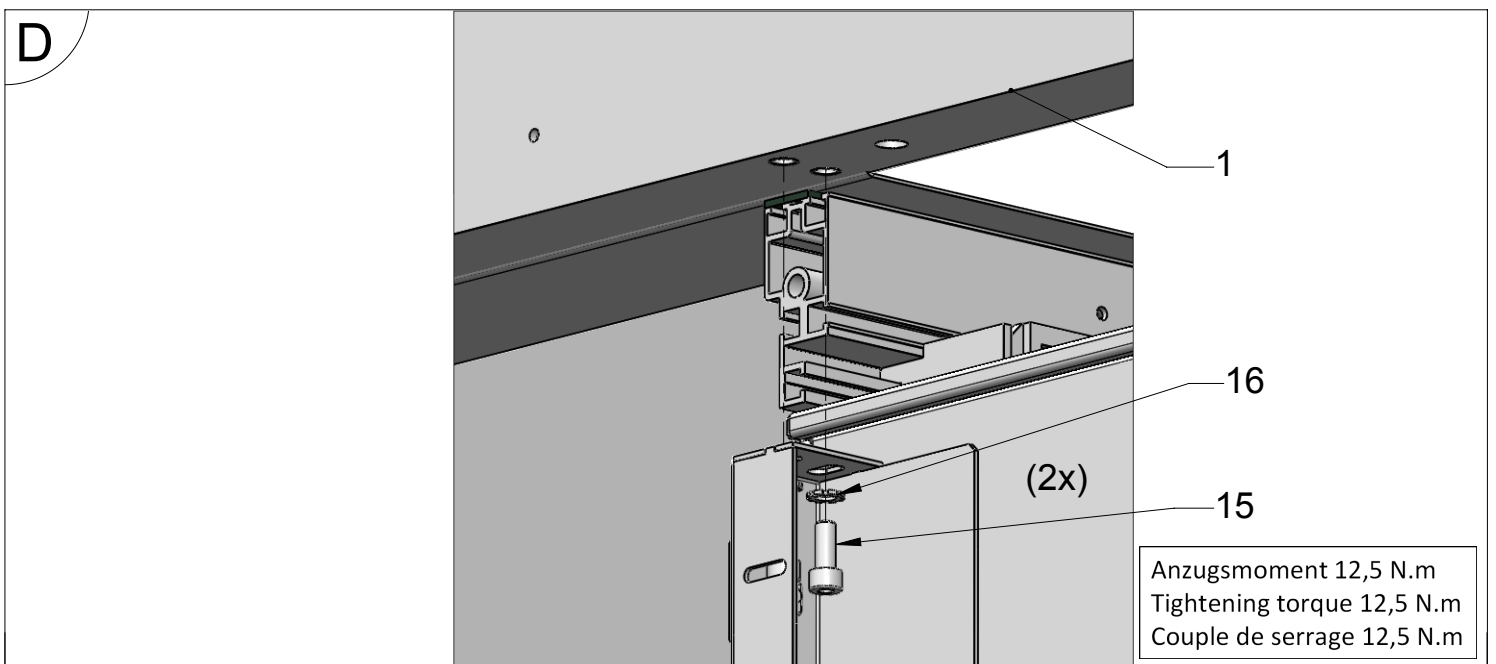
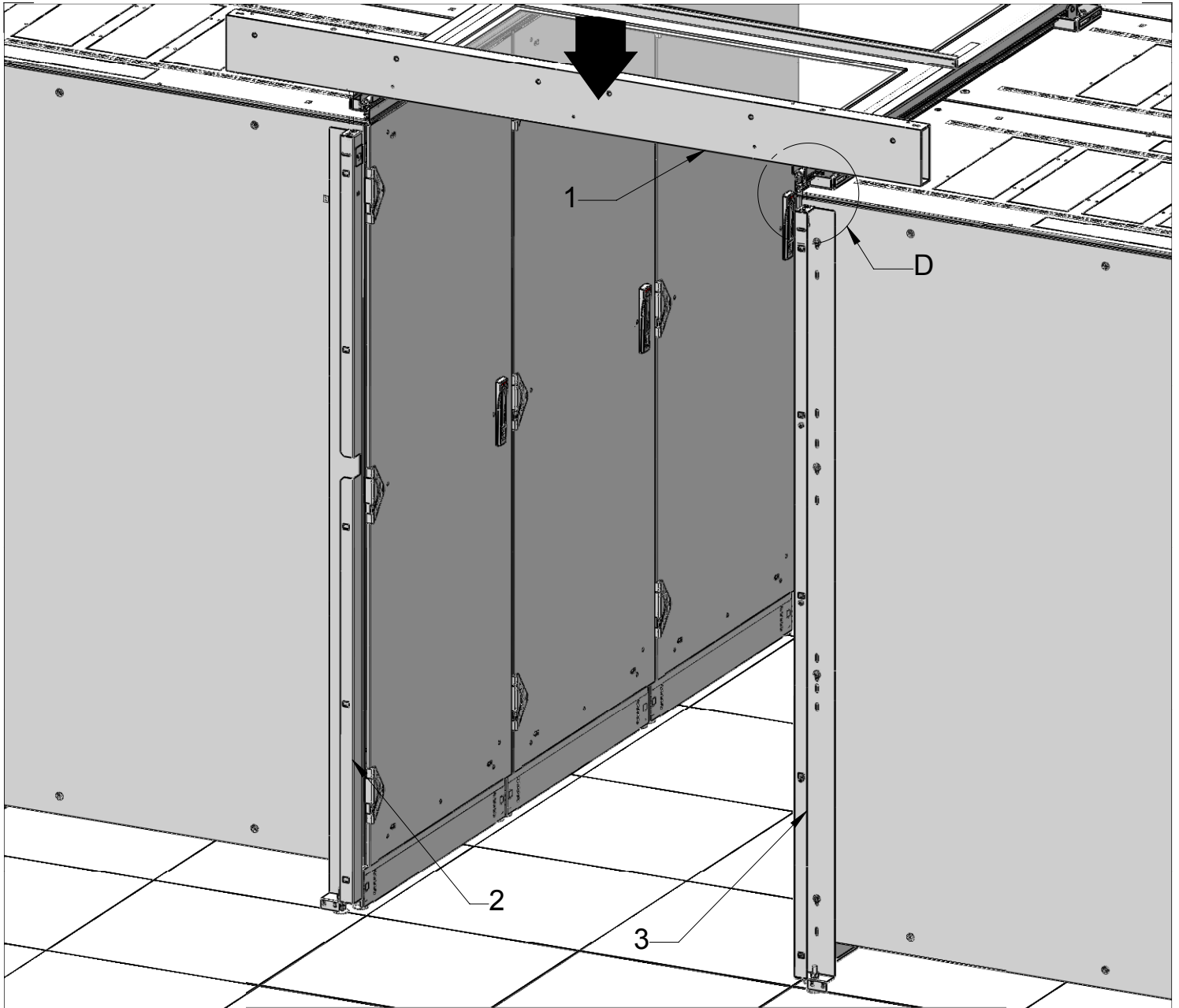
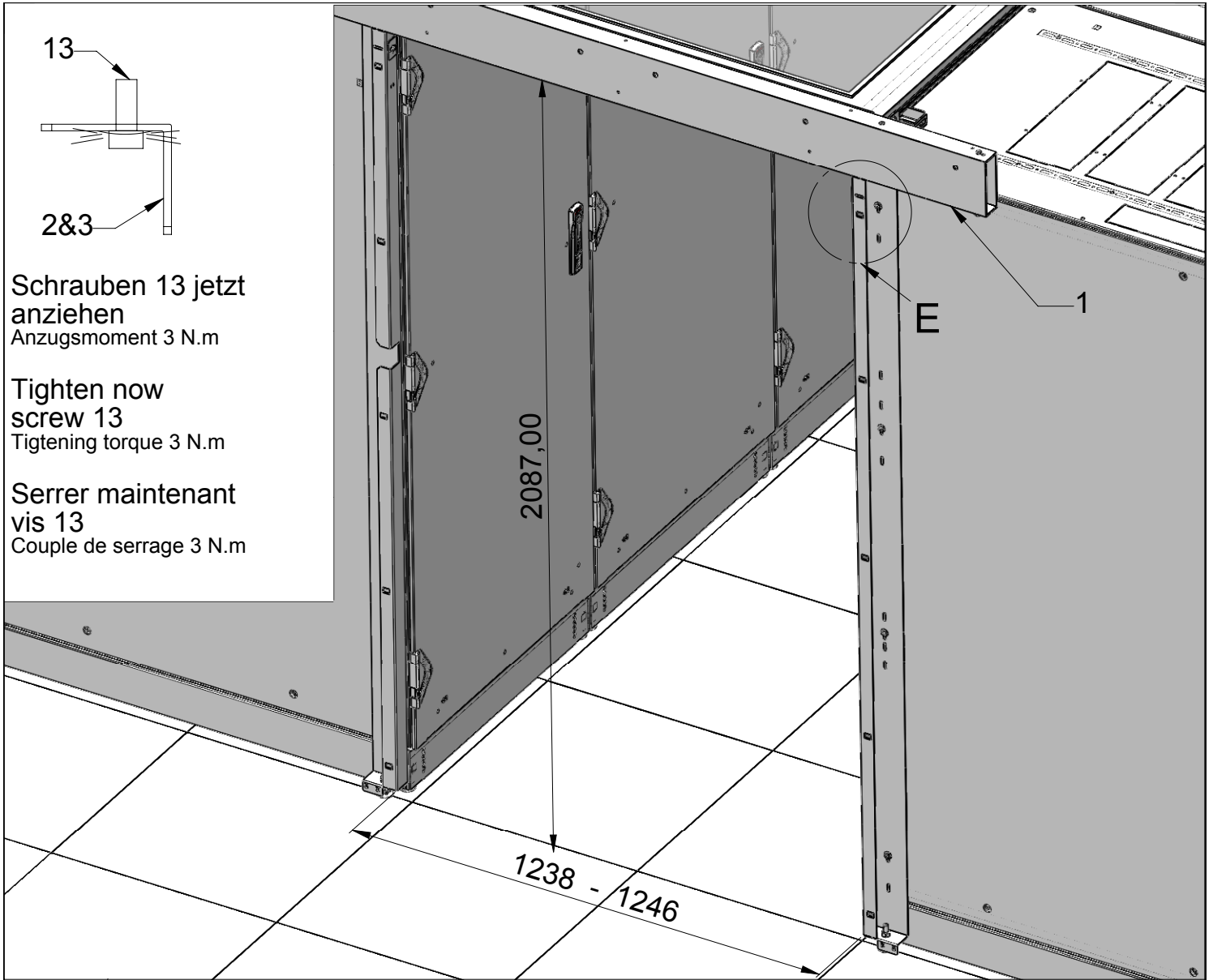


C

Pos.13 nicht festschrauben
Do not tighten pos. 13
Ne pas serrer pos. 13



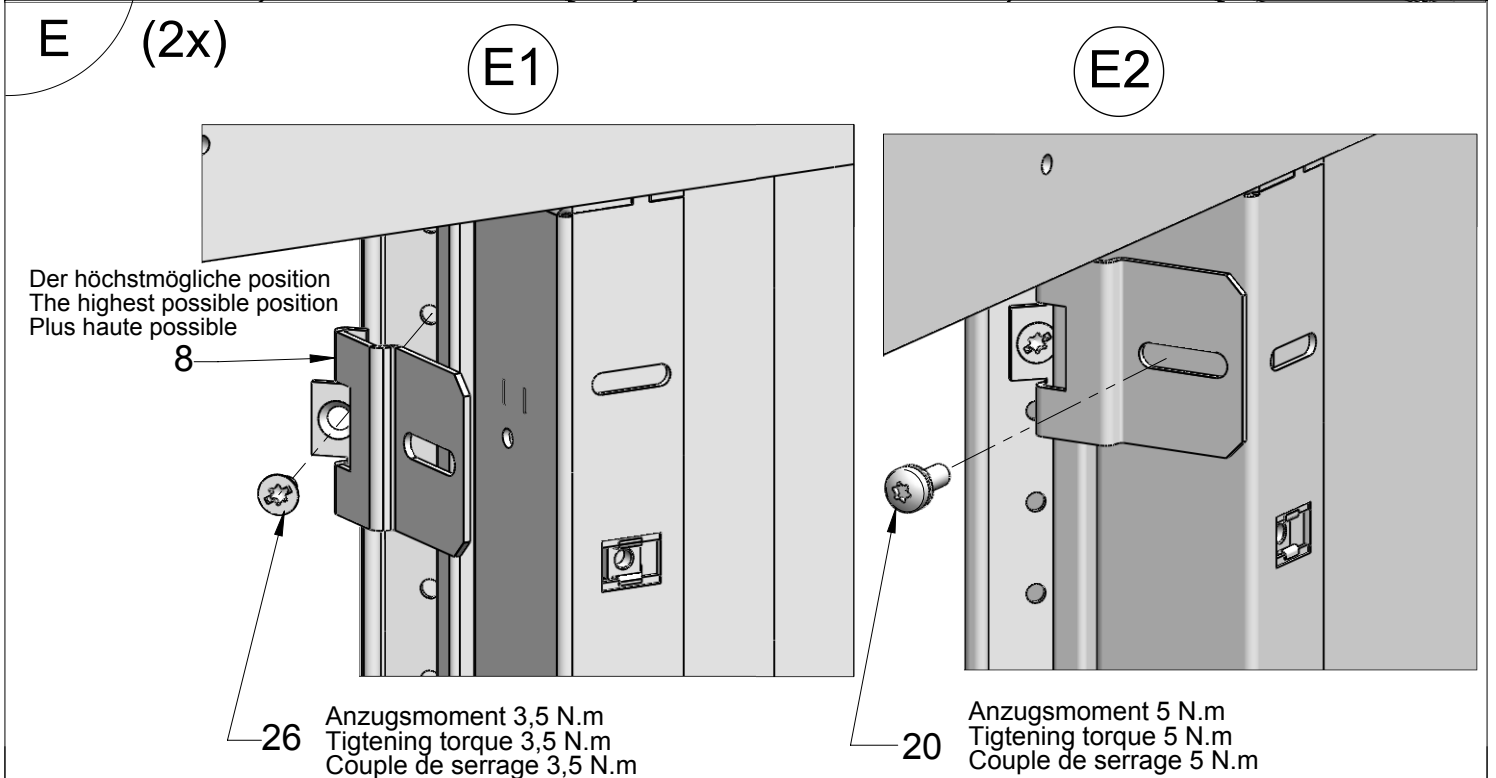




Schrauben 13 jetzt anziehen
Anzugsmoment 3 N.m

Tighten now screw 13
Tightening torque 3 N.m

Serrer maintenant vis 13
Couple de serrage 3 N.m



Der höchstmögliche position
The highest possible position
Plus haute possible

8

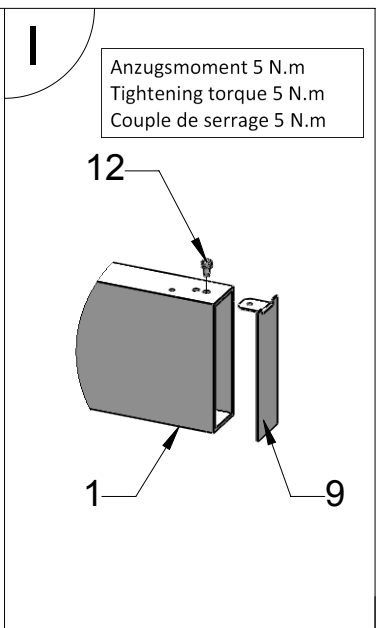
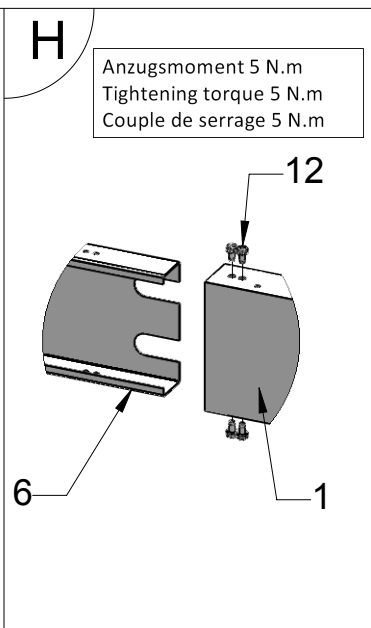
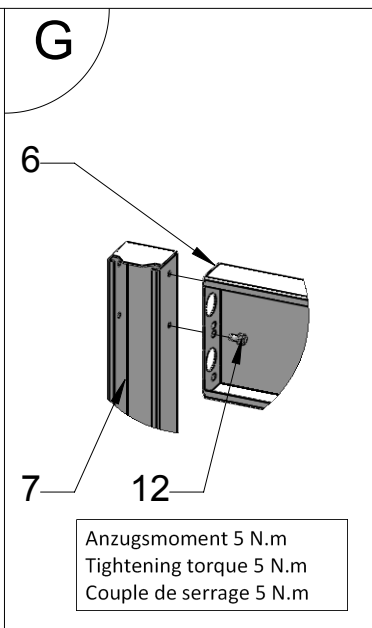
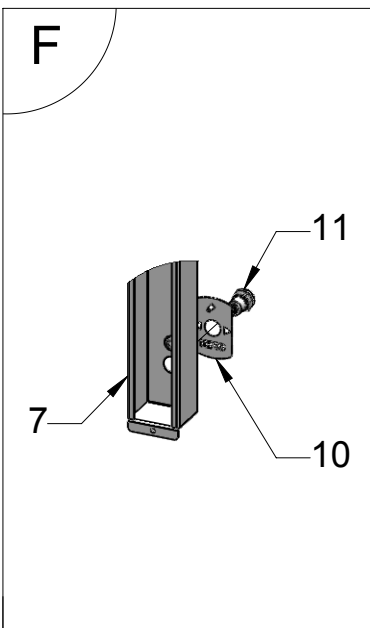
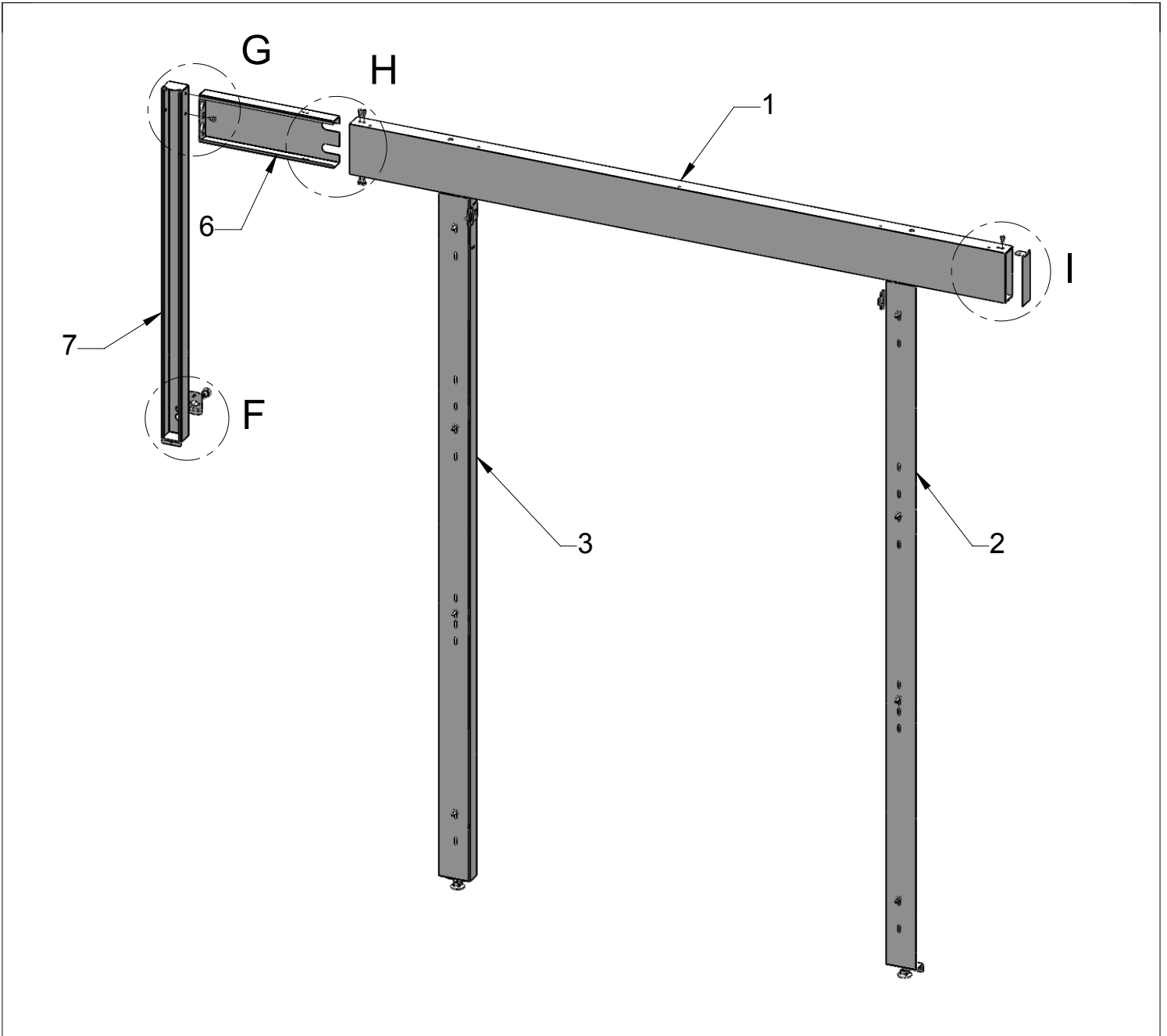
26

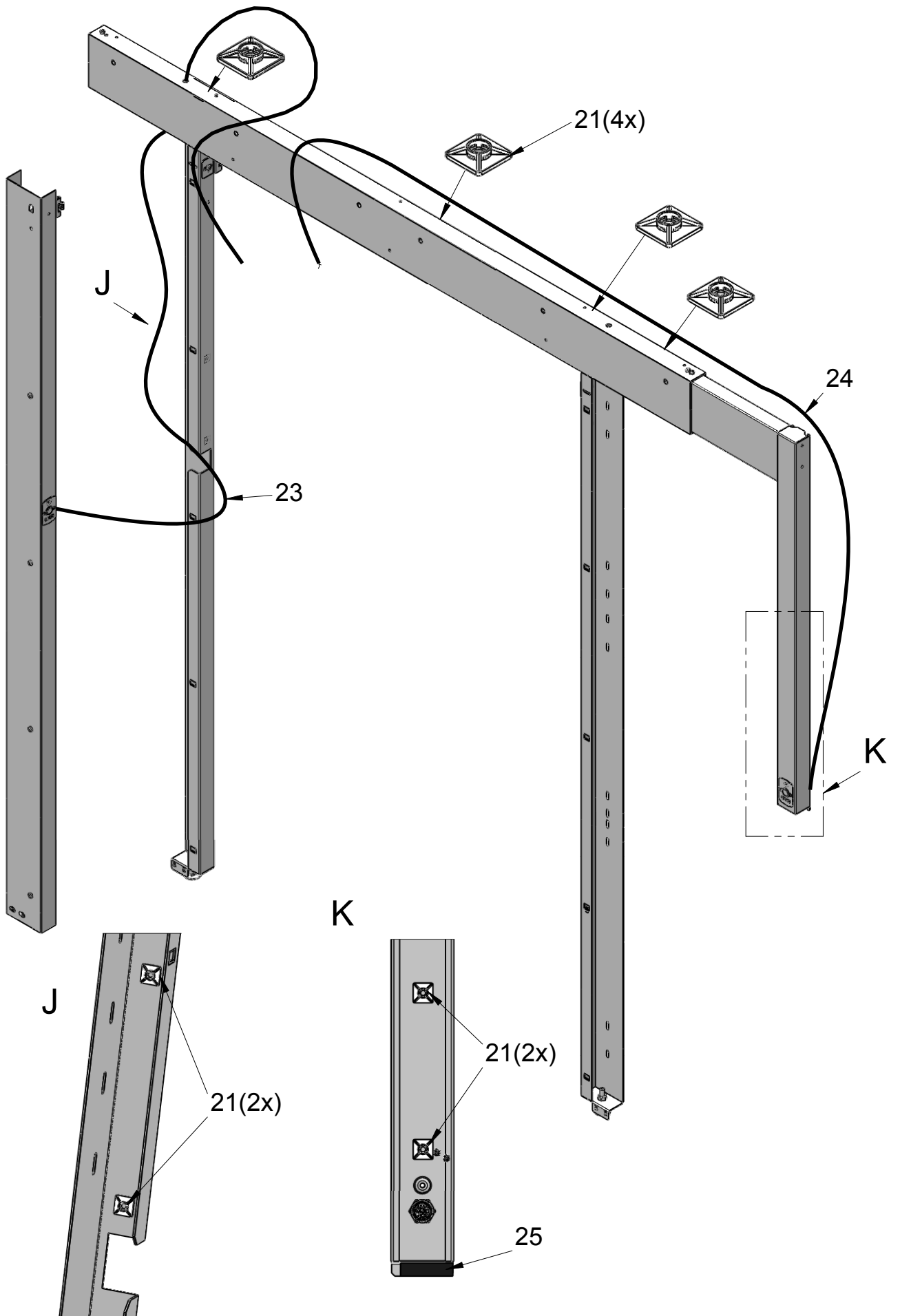
Anzugsmoment 3,5 N.m
Tightening torque 3,5 N.m
Couple de serrage 3,5 N.m

E2

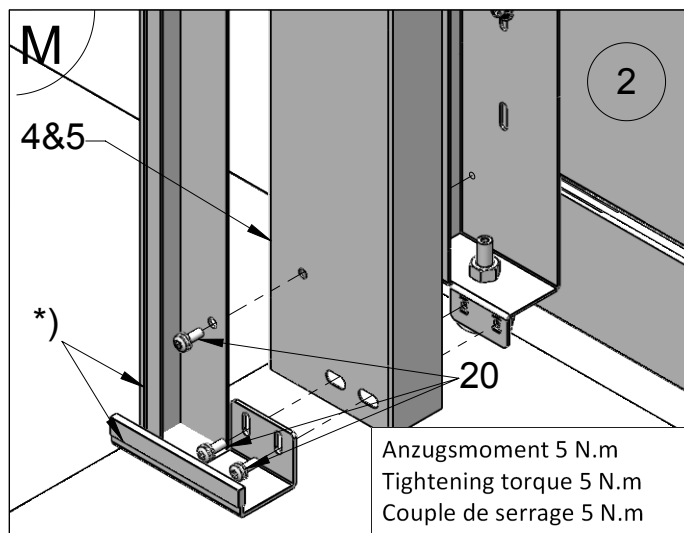
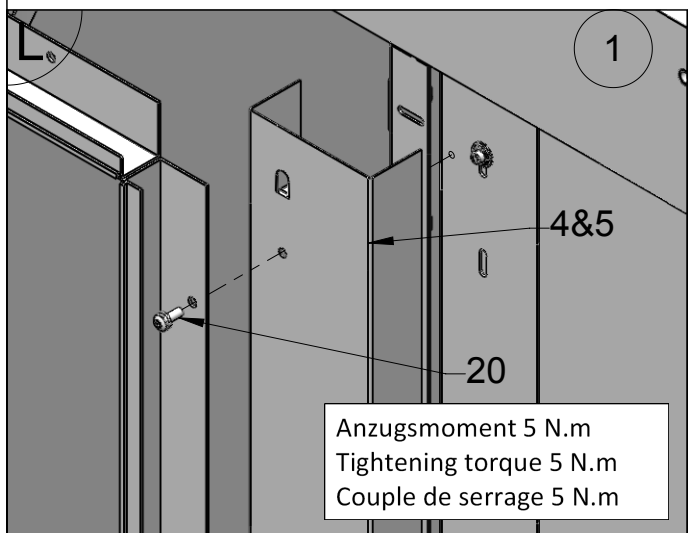
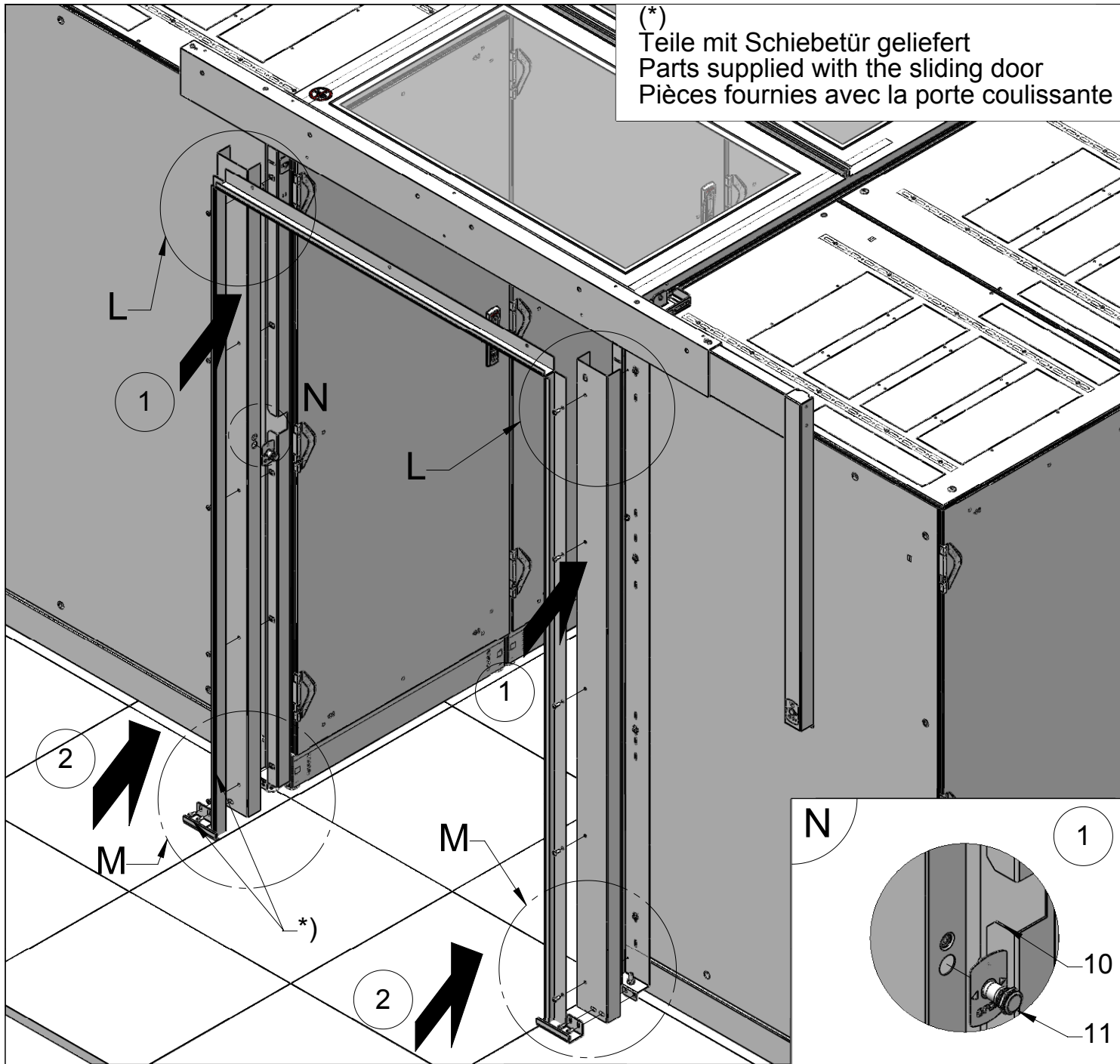
20

Anzugsmoment 5 N.m
Tightening torque 5 N.m
Couple de serrage 5 N.m





(*)
 Teile mit Schiebetür geliefert
 Parts supplied with the sliding door
 Pièces fournies avec la porte coulissante

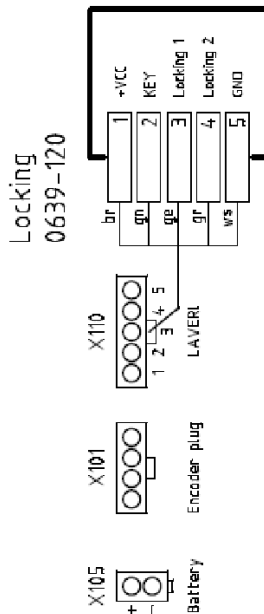


SLA Control unit without D-BEDIX 0639-131

LAVERI 0639-140 Fail Safe/Fail Secure

1	2	3	4	S102
OFF	OFF	OFF	DEF	Fail Safe without Unlocking
ON	OFF	OFF	DEF	Fail Safe with Unlocking
OFF	ON	ON	DEF	Fail Secure with Unlocking

5	6	S102
OFF	OFF	Lifting magnet
X	X	Special applications

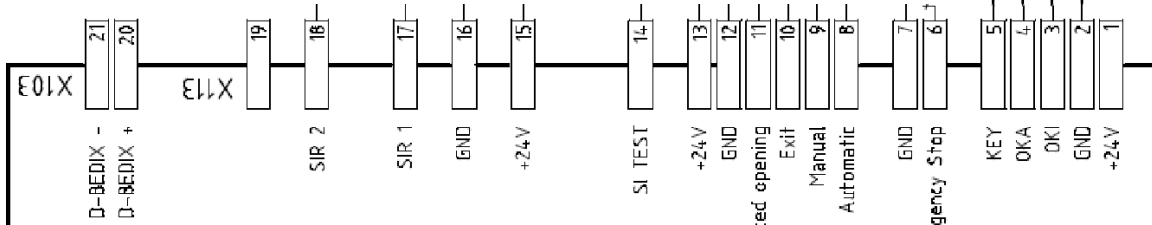
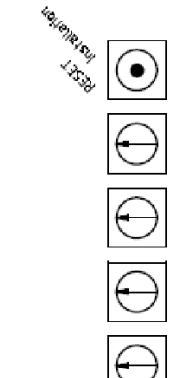
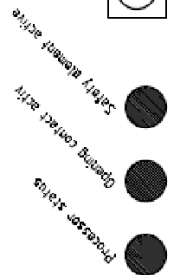
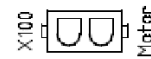


DIP-Switch (action in switch-position ON)

- | | |
|---|---|
| 1 | Inversed sense of rotation |
| 2 | Mode "Exit" not locked |
| 3 | Whit manual locking |
| 4 | 200mm of creeping distance before open position |
| 5 | BAT-NOT |
| 6 | OFF = Potentiometer active
ON = D-BEDIX Parameter active |

Potentiometer

- | | |
|------|---------------------------------|
| vc | Closing speed
100mm/s...max. |
| vo | Opening speed
100...600mm/s |
| to | Hold open time
0...45s |
| Red. | Reduced opening
10...100% |



INTERIEUR
INTERNAL
AUSSEN

EXTERIEUR
EXTERNAL
INNEN

POUSOIRS D'OUVERTURE
OPEN PUSH
DRUCKKNOPF ÖFFNUNG

