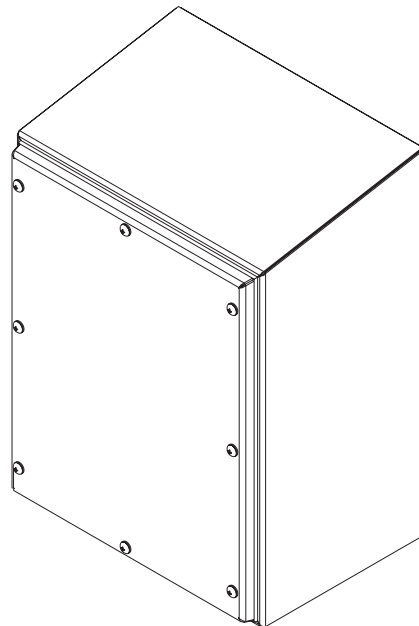
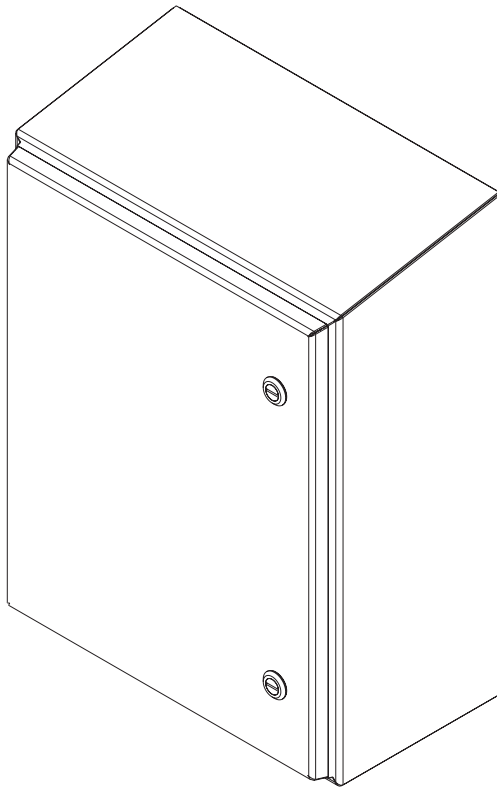









HOFFMAN

HY-SHED

Wall-Mount Enclosure



	WARNING		WARNUNG		AVERTISSEMENT		ADVERTENCIA
<p>To avoid electric shock, do not energize any circuits before all internal and external electrical and mechanical clearances are checked to assure that all assembled equipment functions safely and properly.</p>							
 <p>Um elektrische Schocks zu vermeiden, setzen Sie die Stromkreise erst dann Spannung aus, wenn alle internen und externen mechanischen Sicherheitsabstände überprüft worden sind, um sicherzustellen, daß alle zusammengebauten Geräte sicher und ordnungsgemäß funktionieren.</p>							
<p>Pour éviter la décharge électrique, n'activez aucun circuit avant que des dégagements électriques et mécaniques tou'internes et externes soient vérifiés pour s'assurer que tout le matériel assemblé fonctionne sans risque et correctement.</p>							
<p>Para evitar descarga eléctrica, no energice ninguna circuitos antes de que las separaciones eléctricas y mecánicas todo internas y externas se controlen para asegurar que funciona todo el equipo ensamblado con seguridad y correctamente.</p>							

Notice:

- Use of enclosure shall comply with manufacturer's specification.
- Cleaning instructions shall comply with equipment manufacturer's specification.
- Maintenance procedures and schedule shall follow equipment manufacturer's specification.

Mounting

- Enclosure must be mounted level and plumb to ensure door will seal properly with enclosure body
- Enclosure must be mounted in a location such that liquids cannot drain onto product or product contact surfaces
- Enclosure must be oriented with the sloped surface upward
- If mounted directly to a surface (i.e. a wall), the interface between the surface and the enclosure must be sealed around the entire perimeter of the enclosure, to meet 3-A requirements
- If mounted offset from a surface (i.e. a wall) with spacers, the dimension between the surface and the enclosure must be a minimum of 4 inches, to meet 3-A requirements
- If mounted by welding to any type of structure, the mounting joint must be continuously welded, to meet 3-A requirements
- UL Requirement: Use of external mounting brackets is mandatory on all Type 4 and 4X applications.

Internal Access - Screw Cover Product

- To access the interior of the enclosure, loosen the cover screws and remove cover
- Gasket is mechanically fixed to the cover and can be removed for cleaning or replacement
- Gasket must be fully seated into cover before installation of cover to the enclosure body
- Fasteners securing the cover must be tightened until fastener shoulder contacts cover surface (minimum torque of 12 in-lbs)

Internal Access – Hinged Door Product

- To access interior of the enclosure, turn latch(es) counterclockwise one quarter-turn
- Door may be removed from body by lifting open door to disengage the hinges
- Gasket is mechanically fixed to the door and can be removed for cleaning or replacement
- Gasket must be fully seated into door before installation of door to the enclosure body

Modifications to the Enclosure

- Openings into the enclosure are preferably made in the bottom surface to minimize areas that could entrap unwanted organic residue or inorganic matter
- Any cutout(s) added to the enclosure must have an acceptable device installed in order to maintain the performance rating of the enclosure

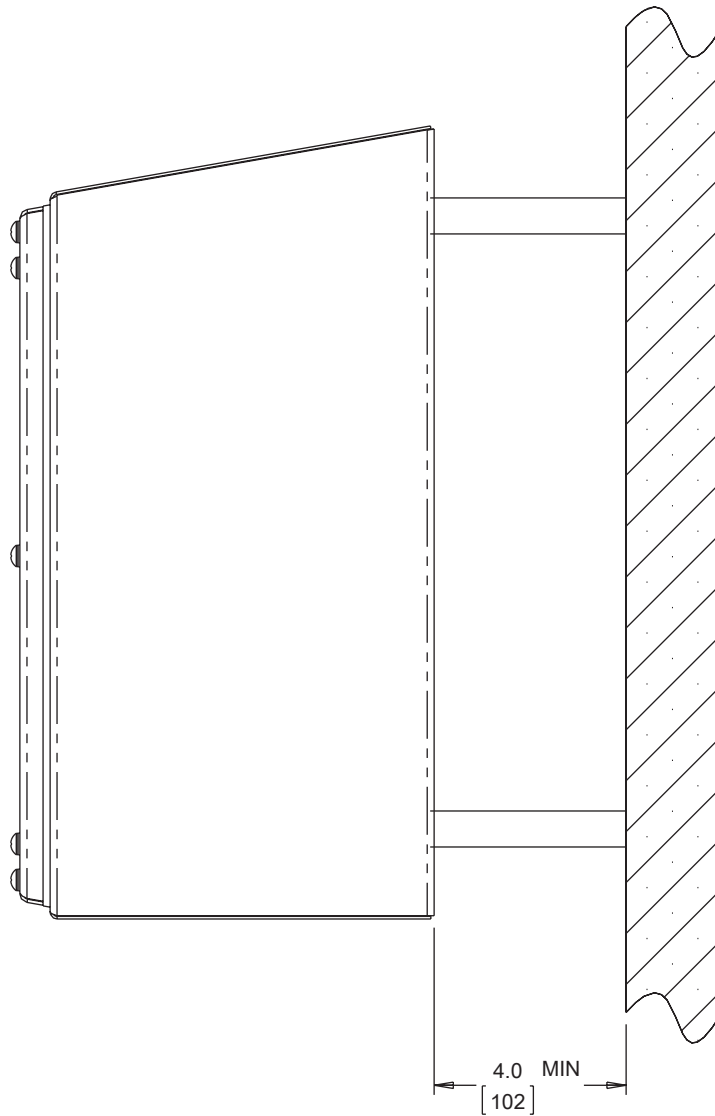
Accessories and Hardware (order separately)

Mounting Foot Kit (used for external wall-mounting)

- Steel Zinc Plated Mounting Foot Kit - CMFK
- Stainless Steel Mounting Foot Kit - CMFKSS
- Composite Mounting Foot Kit - CMTGFT

Standoff-Off Kit (used to offset mount enclosure from wall)

- 1.0 inch - WSSOK1SS
- 2.0 inch - WSSOK2SS
- 4.0 inch - WSSOK4SS
- 6.0 inch - WSSOK6SS



TO MEET 3-A REQUIREMENTS



HOFFMAN