

ProLine

PROLINE DOORS

DISCONNECT DOOR FOR PROLINE ENCLOSURES



Disconnect Doors provide a means to mount flange-mount disconnects to ProLine Enclosures. Hinged mullion provides unobstructed access to interior, thus easing equipment installation.

Disconnect mullion is hinged to provide easy disconnect installation and maximum access to subpanel. Removable door bar is included on disconnect door. A flush handle with DIN, PFHDBL operates an internal 3-point latch system on disconnect door and latches to the disconnect mullion.

Interlocking is provided from master door to disconnect mullion. The disconnect mullion and disconnect door include 140-degree hinges and are gasketed to maintain enclosure integrity. Steel doors are 2,0 mm thick and painted with RAL 7035 light-gray textured polyester powder.

ProLine enclosures that have preferred cutout disconnect doors, right- or left-hand provision will accept the following types of flange-mounted disconnect devices:

Allen-Bradley

- Bulletin 1494V disconnect switches with flange-mounted variable-depth operating mechanisms and Bulletin 1494V flange-mounted variable-depth operating mechanisms for circuit breakers
- Bulletin 140U flexible cable operating mechanisms for 140U molded case circuit breakers

Abb Controls

- Disconnect switches up to (and including) 200 amp; also operators for ABB circuit breakers up to 800 amp

Eaton Cutler-Hammer

- Variable depth disconnect switches up to (and including) 200 amp, also operators for C-H Westinghouse circuit breakers up to 600 amp; also, FLEX SHAFT handle mechanisms for circuit breakers

General Electric

- Type TDA variable depth mechanisms for disconnect switches up to (and including) 200 amp, also operator mechanisms or SPECTRA FLEX cable operator for circuit breakers up to 600 amp

Siemens ITE

MAX-FLEX flange-mounted variable depth operating handle for disconnect switches and circuit breakers as well as some fixed depth operators for disconnect switches

Schneider Square D

Class 9422 disconnect switches up to (and including) 200 amp, with variable depth or cable mechanisms for 30, 60 or 100 amp; also circuit breakers with variable depth operators or cable mechanisms up to 400 amp

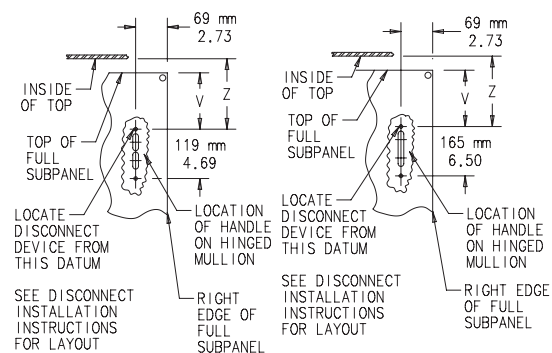
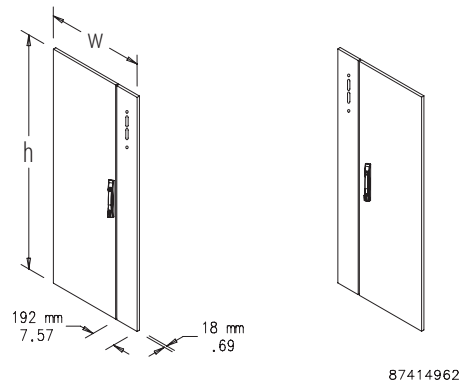
ProLine enclosures with disconnect doors that have a large cutout provision will accept the following types of flange-mounted disconnect devices:

Allen-Bradley

1494V-H2 handle used with 400 amp or 600 amp Allen-Bradley disconnect switches

Siemens ITE

MAX-FLEX FHOHN handle used with MD 800 amp, ND (1200 amp), PD (1600 amp) and RD (2000 amp)



ProLine Doors

STANDARD PRODUCT

Item number	Fits Frame H x W [mm]	H x W [mm]	V [mm]	Z [mm]	Cutout Provision
PTDDC166	1600 x 600	1539 x 594	221	269	Preferred right-hand
PTDDC168	1600 x 800	1539 x 794	221	269	Preferred right-hand
PTDDC186	1800 x 600	1739 x 594	321	369	Preferred right-hand
PTDDC188	1800 x 800	1739 x 794	321	369	Preferred right-hand
PTDDC1810	1800 x 1000	1739 x 994	321	369	Preferred right-hand
PTDDC206	2000 x 600	1939 x 594	421	469	Preferred right-hand
PTDDC208	2000 x 800	1939 x 794	421	469	Preferred right-hand
PTDDC2010	2000 x 1000	1939 x 994	421	469	Preferred right-hand

SOLID DOORS



Steel doors are finished with RAL 7035 textured, light-gray polyester powder paint. A removable door bar system is included on doors.

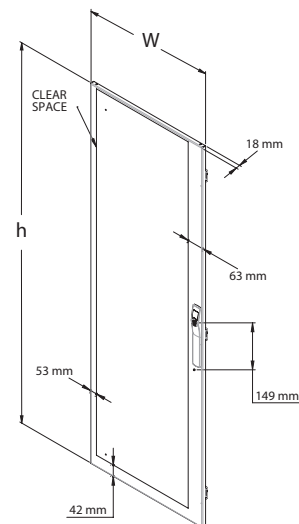
Hinge side is reversible. A flush bezel latch PFBS operates the 3-point latching system.

Hidden hinges (130-degree swing) permit attachment to the front or back of each enclosure frame. Hinges have easy-slide, retained hinge pins. Door gasket is foam-in-place polyurethane to provide a resilient, seamless seal.

Fits only back of double bay, front and back of single bay frame.

Grounding studs are furnished. All mounting hardware is included.

Item number	Thickness [mm]	Fits Frame H x W [mm]	Door Size H x W [mm]
PDS146	1,5	1400 x 600	1339 x 592
PDS148	1,8	1400 x 800	1339 x 792
PDS166	1,5	1600 x 600	1539 x 592
PDS168	1,8	1600 x 800	1539 x 792
PDS184	1,5	1800 x 400	1739 x 392
PDS186	1,5	1800 x 600	1739 x 592
PDS188	1,8	1800 x 800	1739 x 792
PDS1810	2,0	1800 x 1000	1739 x 992
PDS204	1,5	2000 x 400	1939 x 392
PDS206	1,5	2000 x 600	1939 x 592
PDS208	1,8	2000 x 800	1939 x 792
PDS2010	2,0	2000 x 1000	1939 x 992
PDS226	1,5	2200 x 600	2139 x 592
PDS228	1,8	2200 x 800	2139 x 792
PDS2210	2,0	2200 x 1000	2139 x 992



ProLine Doors

WINDOW DOORS



Window doors can be used on the front or rear of ProLine frames to provide viewing of electronic equipment.

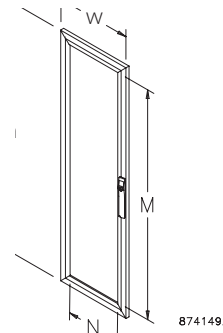
They have 130-degree hidden hinges and a flush bezel latch PFBS that operates a 3-point latching mechanism.

Doors have a clear safety glass window.

WINDOW DOORS:

- Install easily on front or rear of enclosure frame; can be hinged on left or right
- Have a 6 mm thick window that provides a maximum protection and viewing area
- Have foam-in-place, urethane gaskets for door and window to provide optimum sealing
- Fits only back of double bay, front and back of single bay frame

Item number	Fits Frame H x W [mm]	Door Size H x W [mm]	Window Size M x N [mm]
PDWG146E	1400 x 600	1339 x 591	1217 x 420
PDWG166E	1600 x 600	1539 x 591	1417 x 420
PDWG168E	1600 x 800	1539 x 791	1417 x 620
PDWG186E	1800 x 600	1739 x 591	1617 x 420
PDWG188E	1800 x 800	1739 x 791	1617 x 620
PDWG206E	2000 x 600	1939 x 591	1817 x 420
PDWG208E	2000 x 800	1939 x 791	1817 x 620
PDWG226E	2200 x 600	2139 x 591	2017 x 420
PDWG228E	2200 x 800	2139 x 791	2017 x 620



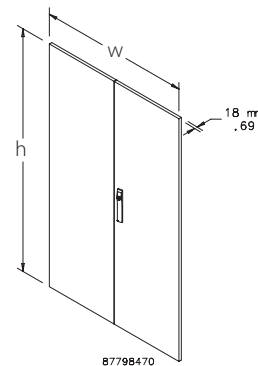
OVERLAPPING DOORS



ProLine Overlapping Doors provide a door system for the full-width, open front of 800, 1000, 1200 mm wide frames. The master door ensures a dust-tight seal using a 3-point roller latch system operated by a ProLine flush swing handle PFHKBL. The overlapping master/adjacent door design allows unobstructed access. Removable door bar is included on each door. Master door is hinged on the right side. PTOD fits only front of the double bay frame, do not fit rear because of the centerpost.

Steel doors are 1,8-2,0 mm thick and finished with RAL 7035 light-gray textured, polyester powder paint finish.

Item number	Thickness [mm]	Fits Frame H x W [mm]	H x W [mm]
PTOD1412	1,8	1400 x 1200	1339 x 1191
PTOD168	2,0	1600 x 800	1539 x 792
PTOD1612	1,8	1600 x 1200	1539 x 1191
PTOD188	2,0	1800 x 800	1739 x 792
PTOD1810	2,0	1800 x 1000	1739 x 992
PTOD1812	1,8	1800 x 1200	1739 x 1191
PTOD208	2,0	2000 x 800	1939 x 792
PTOD2010	2,0	2000 x 1000	1939 x 992
PTOD2012	1,8	2000 x 1200	1939 x 1191
PTOD228	2,0	2200 x 800	2139 x 792
PTOD2212	1,8	2200 x 1200	2139 x 1191



Our powerful portfolio of brands:

CADDY ERICO HOFFMAN RAYCHEM SCHROFF TRACER