



CONNECT AND PROTECT

# Socket Strips

  
nvent

SCHROFF

# Cabinet Accessories – Socket strips

## OVERVIEW

### MAIN CATALOG

- Cabinets . . . . . 1
- Wall mounted cases . . . . . 2
- Accessories for cabinets and wall mounted cases . . . 3
- Climate control . . . 4
- Electronics cases . . . . . 5
- Subracks/ 19" chassis . . . . . 6
- Front panels, plug-in units . . . . . 7
- Systems . . . . . 8
- Power supply units . . . . . 9
- Backplanes . . . . . 10
- Connectors, front panel component system . . . . . 11
- Appendix . . . . . 12



00704002



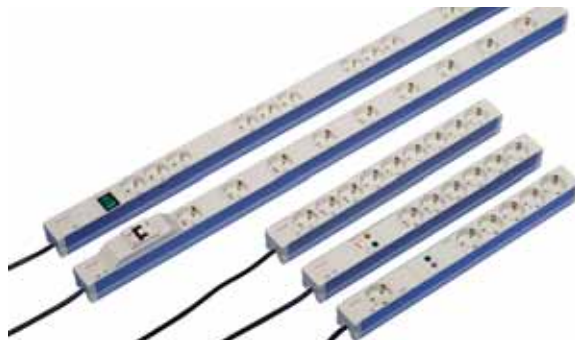
Single-phase and three-phase strips

00704003



Strips with fixed connecting cables or with Wieland® GST 18 connecting system

00704004



Broad range of functional elements up to master-slave

00704005



19" power distribution for 3 phases, 2 performance classes

00708047

# Cabinet Accessories – Socket strips

## OVERVIEW

### SOCKET STRIPS

- Modular, compact construction with many function elements
- Mains input via cable and country-specific plug or via Wieland® GST18 system
- Horizontal mounting on the 19" plane (1 U) or vertically on the cabinet frame
- Multiphase supply via three-phase strips or IEC power distributor



#### SOCKET STRIPS IN 1 U AL EXTRUSION

- Hard wired connecting cable with country-specific mains plug or Wieland® GST18
- Country-specific sockets: IEC, SCHUKO, UTE, British Standard, USA or Swiss versions
- Functional elements: Fault current, overcurrent and transient protection, interference suppression filter with display
- Single-phase and three-phase feed



00704005 00708032



00708033

#### 19" POWER DISTRIBUTOR, 3-PHASE

- 3-phase distributor to connect single phase consumers or socket strips
- Input 3-phase 400 V<sub>AC</sub> (32 A or 63 A)
- Output with IEC 60320-C19 sockets
  - 6 × 230 V<sub>AC</sub> in 32 A/phase version
  - 9 × 230 V<sub>AC</sub> in 63 A/phase version
- Overcurrent protection for each output

#### SERVICEPLUS

e.g. individual configuration of design, sockets, power connection, functional elements (filter, overcurrent and overvoltage protection, etc.)

Overview . . . . . 3.50

Socket strips with connecting cable

SCHUKO

SCHUKO socket strips . . . . . 3.52

SCHUKO socket strips, master-slave . . . . . 3.53

SCHUKO socket strips, 3 circuits . . . . . 3.54

UTE

UTE socket strips . . . . . 3.55

UTE socket strips, master-slave . . . . . 3.56

UTE socket strips, 3 circuits . . . . . 3.57

IEC

IEC socket strips, C13 . . . . . 3.58

IEC socket strips, C19 . . . . . 3.59

IEC socket strips, C19, 3 phase . . . . . 3.60

SCHUKO/ IEC

Socket strips with 2 supply cables . . . . . 3.61

BS

BS socket strips . . . . . 3.62

US

USA socket strips . . . . . 3.63

Switzerland

Socket strips Swiss version . . . . . 3.64

Socket strips, Wieland®

SCHUKO socket strips, Wieland® . . . . . 3.67

UTE socket strips, Wieland® . . . . . 3.68

IEC socket strips, Wieland® . . . . . 3.69

Connector cable for Wieland® . . . . . 3.70

19" power distributor 3-phase . . . . . 3.71

ServicePLUS . . . . . 3.71

Power Control socket strips . . . . . 3.72

# Cabinet Accessories – Socket strips

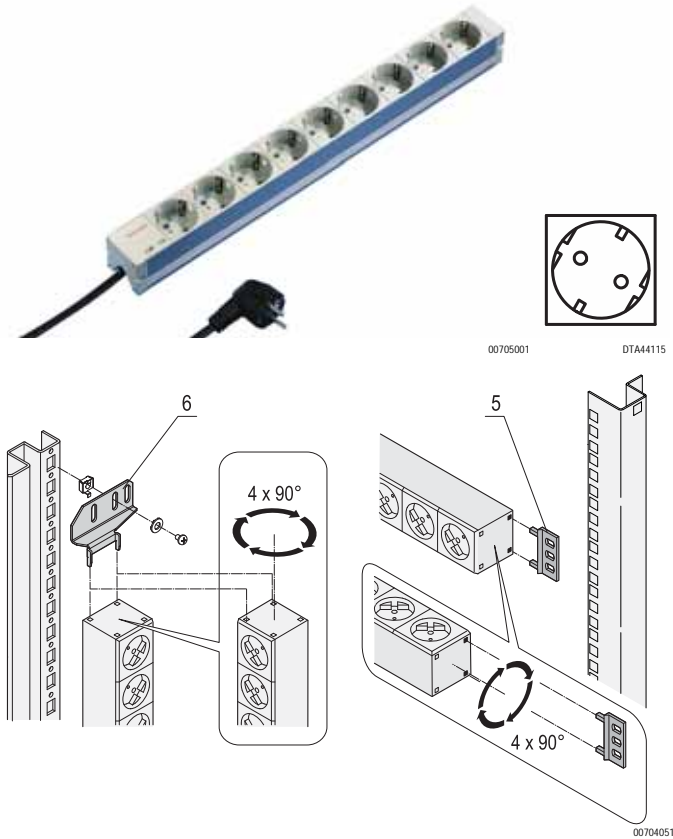
## SCHUKO SOCKET STRIP

- Socket strips with SCHUKO sockets, with either switch or function elements
- Installation height 1 U
- Connecting cable 2 m with SCHUKO/UTE plug
- Socket strips can be rotated through all four directions (in 90° increments) during installation
- Horizontal or vertical mounting
- 230 V, 16 A
- In accordance with DIN 57620, VDE 0620



### DELIVERY COMPRISES (assembled)

Item	Qty	Description
1	1	Al extrusion, 1 U, anodised, for sockets and functional elements
2		SCHUKO sockets (35° rotated, PA, RAL 7035), illuminated switch and functional elements, for type and quantity see Order information
3	2	End piece, PA, RAL 7035
4	1	Connecting cable, black, 2 m, 05VV-F 3G 1.5 mm <sup>2</sup> , with SCHUKO/UTE connector, PVC, encapsulated
5	2	Mounting bracket, PA, RAL 7035 (only with 10", 19" version)



Item 6: bracket for vertical mounting

### ORDER INFORMATION

Description	Sockets	Length Inch	Length mm	Depth mm	Switch	Functional element	Part no.
SCHUKO	3	–	184	44	–	–	60110-200
	4	10"	210	44	–	–	60110-201
	9	19"	438.5	44	–	–	60110-202
	12	–	947.5	44	–	–	60110-203
	15	–	1202	44	–	–	60110-204
	19	–	1753	44	–	–	60110-205
SCHUKO - with switch	8	19"	438.5	44	X	–	60110-206
	12	–	947.5	44	X	–	60110-207
	15	–	1202	44	X	–	60110-208
	19	–	1753	44	X	–	60110-209
SCHUKO with functional elements	6	19"	438.5	88	–	Fault current protection	60110-216
	6	19"	438.5	75	–	Overcurrent protection	60110-212
	6	19"	438.5	88	–	Fault current protection, overcurrent protection	60110-217
	7	19"	438.5	44	–	Mains suppression filter	60110-214
	8	19"	438.5	44	–	Transient protection	60110-210
	6	19"	438.5	44	–	Transient protection, mains suppression filter	60110-266
9	–	947.5	44	–	Transient protection	60110-211	

Delivery: fitted in cabinet or on frame

Part no./05

Delivery: supplied loose with cabinet or frame

Part no./35

### Accessories

Item 6 Mounting bracket for one socket strip for vertical mounting, St, 2 mm, PU 2 pieces	20110-068
Mounting plate for mounting of two socket strips side by side for vertical mounting, St, 2 mm, height 70 mm, depth 135 mm, PU 2 pieces	23130-010

### NOTE

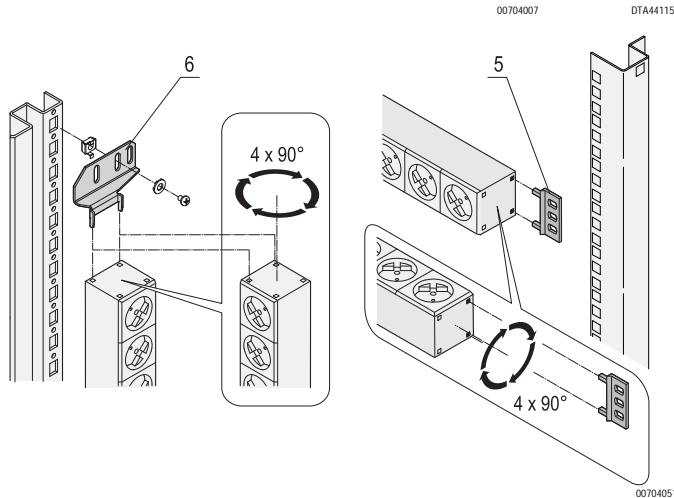
- Please order mounting bracket for vertical mounting separately

# Cabinet Accessories – Socket strips

## SCHUKO SOCKET STRIP, MASTER-SLAVE



- When the master unit is switched on the slave outlets are connected to the mains (switch threshold adjustable)
- Mounting height 1 U
- Connecting cable 2 m with SCHUKO/UTE plug
- Socket strips can be rotated through all four directions (in 90° increments) during installation
- Horizontal or vertical mounting
- 110 ... 230 V, 16 A
- In accordance with DIN 57620



Item 6: bracket for vertical mounting



### DELIVERY COMPRISES (assembled)

Item	Qty	Description
1	1	Al extrusion, 1 U, anodised, for sockets
2	6	SCHUKO sockets (35° rotated, PA, RAL 7035)
3	2	End piece, PA, RAL 7035
4	1	Connecting cable, black, 2 m, 05VV-F 3G 1.5 mm <sup>2</sup> , with SCHUKO/UTE connector, PVC, encapsulated
5	2	Mounting bracket, PA, RAL 7035

### ORDER INFORMATION

Sockets	Length Inch	Length mm	Depth mm	Part no.
6	19"	438.5	44	<b>60110-270</b>
Delivery: fitted in cabinet or on frame				Part no./05
Delivery: supplied loose with cabinet or frame				Part no./35

### Accessories

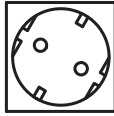
Item 6	Mounting bracket for one socket strip for vertical mounting, St, 2 mm, PU 2 pieces	<b>20110-068</b>
	Mounting plate for mounting of two socket strips side by side for vertical mounting, St, 2 mm, height 70 mm, depth 135 mm, PU 2 pieces	23130-010

### NOTE

- Please order mounting bracket for vertical mounting separately

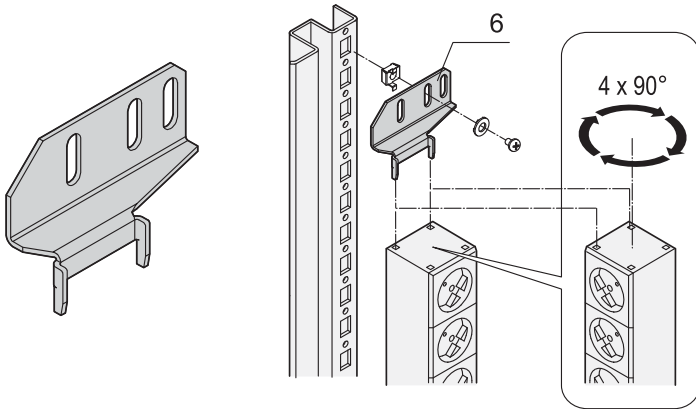
# Cabinet Accessories – Socket strips

## SCHUKO SOCKET STRIP, 3-PHASE



00704008

DTA44115



Item 6: bracket for vertical mounting

00502502

- Socket strips with SCHUKO sockets, 3-phase
- Installation height 1 U
- Connecting cable 2 m, open end with ferrules
- Socket strips can be rotated through all four directions (in 90° increments) during installation
- Vertical mounting
- 3 phases, 16 A per phase
- In accordance with DIN 57620



### DELIVERY COMPRISES (assembled)

Item	Qty	Description
1	1	Al extrusion, 1 U, anodised, for sockets
2	9	SCHUKO sockets (35° rotated, PA, RAL 7035), 3 phases x 3 sockets, different colours
3	2	End piece, PA, RAL 7035
4	1	Connecting cable, black, 2 m, 05VV-F 5G 2.5 mm <sup>2</sup> , open end with ferrules

### ORDER INFORMATION

Sockets	Height U	Length mm	Depth mm	Part no.
9	1	608.5	44	<b>60110-219</b>
<b>Delivery: fitted in cabinet or on frame</b>				Part no./05
<b>Delivery: supplied loose with cabinet or frame</b>				Part no./35
<b>Accessories</b>				
Item 6 Mounting bracket for one socket strip for vertical mounting, St, 2 mm, PU 2 pieces				<b>20110-068</b>
Mounting plate for mounting of two socket strips side by side for vertical mounting, St, 2 mm, height 70 mm, depth 135 mm, PU 2 pieces				23130-010

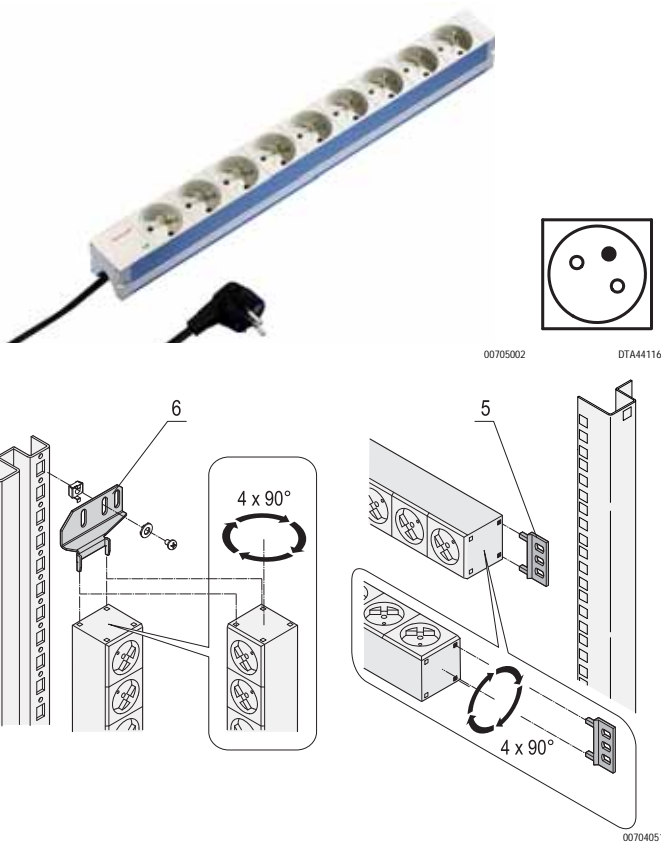
### NOTE

- Please order mounting bracket for vertical mounting separately



# Cabinet Accessories – Socket strips

## UTE SOCKET STRIP



- Socket strip with SCHUKO sockets, either with switch or functional elements
- Mounting height 1 U
- Connecting cable 2 m, with SCHUKO/UTE plug
- Socket strips can be rotated through all four directions (in 90° increments) during installation
- Horizontal and vertical mounting
- 230 V, 16 A
- In accordance with NFC 61-303



### DELIVERY COMPRISES (assembled)

Item	Qty	Description
1	1	Al extrusion, 1 U, anodised, for sockets and functional elements
2		UTE sockets (35° rotated, PA, RAL 7035), illuminated switch and functional elements, for type and quantity see Order information
3	2	End piece, PA, RAL 7035
4	1	Connecting cable, black, 2 m, 05VV-F 3G 1.5 mm <sup>2</sup> , with SCHUKO/UTE connector, PVC, encapsulated
5	2	Mounting bracket, PA, RAL 7035 (only with 10", 19" version)

Item 6: bracket for vertical mounting

### ORDER INFORMATION

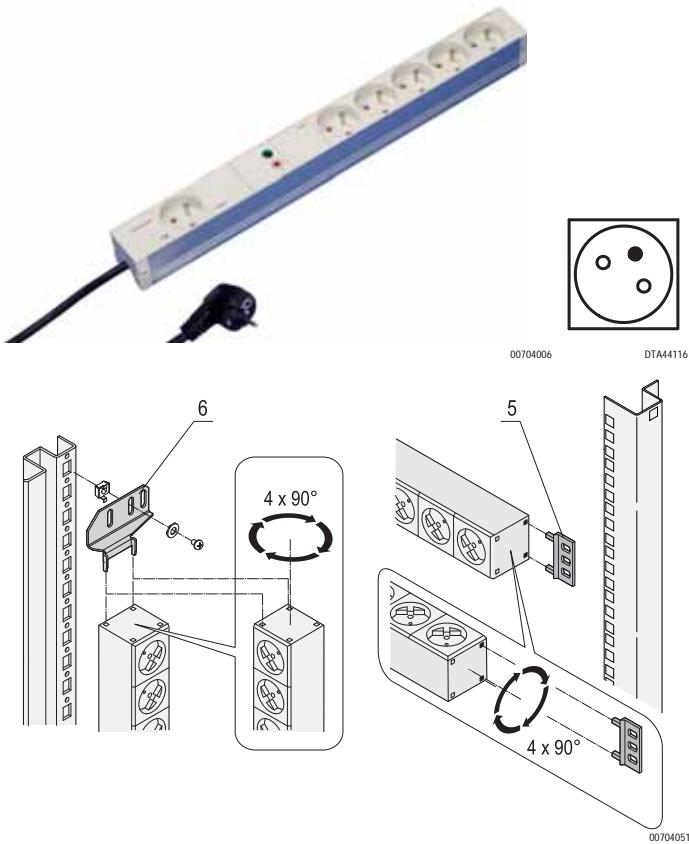
Description	Sockets	Length Inch	Length mm	Depth mm	Switch	Functional element	Part no.
Socket strip 10", 4 UTE sockets	4	10"	210	44	–	–	<b>60110-220</b>
	9	19"	438.5	44	–	–	<b>60110-221</b>
	12	–	947.5	44	–	–	<b>60110-222</b>
	15	–	1202	44	–	–	<b>60110-223</b>
UTE with switch	19	–	1753	44	–	–	<b>60110-224</b>
	8	19"	438.5	44	X	–	<b>60110-225</b>
	12	–	947.5	44	X	–	<b>60110-226</b>
	UTE with functional element	6	19"	438.5	88	–	Fault current protection
6		19"	438.5	75	–	Overcurrent protection	<b>60110-228</b>
6		19"	438.5	88	–	Fault current protection, overcurrent protection	<b>60110-231</b>
7		19"	438.5	44	–	Mains suppression filter	<b>60110-229</b>
8		19"	438.5	44	–	Transient protection	<b>60110-227</b>
6		19"	438.5	44	–	Transient protection, mains suppression filter	<b>60110-267</b>
Delivery: fitted in cabinet or on frame							Part no./05
Delivery: supplied loose with cabinet or frame							Part no./35
<b>Accessories</b>							
Item 6 Mounting bracket for one socket strip for vertical mounting, St, 2 mm, PU 2 pieces							<b>20110-068</b>
Mounting plate for mounting of two socket strips side by side for vertical mounting, St, 2 mm, height 70 mm, depth 135 mm, PU 2 pieces							23130-010

### NOTE

- Please order mounting bracket for vertical mounting separately

# Cabinet Accessories – Socket strips

## UTE SOCKET STRIP, MASTER-SLAVE



Item 6: bracket for vertical mounting

- When the master unit is switched on, the slave outputs are connected to the mains (switch threshold adjustable)
- Mounting height 1 U
- Connecting cable 2 m, with SCHUKO/UTE plug
- Socket strips can be rotated through all four directions (in 90° increments) during installation
- Horizontal and vertical mounting
- 230 V, 16 A
- In accordance with NFC 61-303



### DELIVERY COMPRISES (assembled)

Item	Qty	Description
1	1	Al extrusion, 1 U, anodised, for sockets
2	6	UTE sockets (35° rotated, PA, RAL 7035)
3	2	End piece, PA, RAL 7035
4	1	Connecting cable, black, 2 m, 05VV-F 3G 1.5 mm <sup>2</sup> , with SCHUKO/UTE connector, PVC, encapsulated
5	2	Mounting bracket, PA, RAL 7035

### ORDER INFORMATION

Sockets	Length Inch	Length mm	Depth mm	Part no.
6	19"	438.5	44	<b>60110-232</b>

Delivery: fitted in cabinet or on frame

Part no./05

Delivery: supplied loose with cabinet or frame

Part no./35

### Accessories

Item 6	Mounting bracket for one socket strip for vertical mounting, St, 2 mm, PU 2 pieces	<b>20110-068</b>
--------	------------------------------------------------------------------------------------	------------------

Mounting plate for mounting of two socket strips side by side for vertical mounting, St, 2 mm, height 70 mm, depth 135 mm, PU 2 pieces

23130-010

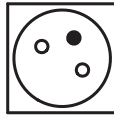
### NOTE

- Please order mounting bracket for vertical mounting separately



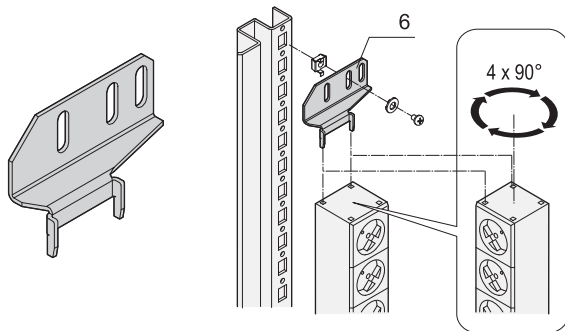
# Cabinet Accessories – Socket strips

## UTE SOCKET STRIP, 3-PHASE



00704010

DTA44116



Item 6: bracket for vertical mounting

- Socket strips with UTE sockets, 3-phase
- Installation height 1 U
- Connecting cable 2 m, open end with ferrules
- Socket strips can be rotated through all four directions (in 90° increments) during installation
- Vertical mounting
- 3 phases, 16 A per phase
- In accordance with NFC 61-303



### DELIVERY COMPRISES (assembled)

Item	Qty	Description
1	1	Al extrusion, 1 U, anodised, for sockets
2	9	UTE sockets (35° rotated, PA, RAL 7035), 3 phases x 3 sockets, different colours
3	2	End piece, PA, RAL 7035
4	1	Connecting cable, black, 2 m, 05VV-F 5G 2.5 mm <sup>2</sup> , open end with ferrules

### ORDER INFORMATION

Sockets	Height U	Length mm	Depth mm	Part no.
9	1	608.5	44	<b>60110-233</b>
<b>Delivery: fitted in cabinet or on frame</b>				Part no./05
<b>Delivery: supplied loose with cabinet or frame</b>				Part no./35
<b>Accessories</b>				
Item 6 Mounting bracket for one socket strip for vertical mounting, St, 2 mm, PU 2 pieces				<b>20110-068</b>
Mounting plate for mounting of two socket strips side by side for vertical mounting, St, 2 mm, height 70 mm, depth 135 mm, PU 2 pieces				23130-010

### NOTE

- Please order mounting bracket for vertical mounting separately

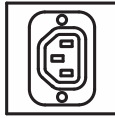
# Cabinet Accessories – Socket strips

## IEC SOCKET STRIP, C13



00710010

01a44118



- Socket strips with IEC 60320-C13 sockets
- Mounting height 1 U
- Connecting cable 2 m, open end with ferrules
- Socket strips can be rotated through all four directions (in 90° increments) during installation
- Horizontal and vertical mounting
- 230 V, 10 A
- In accordance with IEC 60320



### DELIVERY COMPRISES (assembled)

Item	Qty	Description
1	1	Al extrusion, 1 U, anodised, to accommodate the sockets and function elements
2		IEC 60320-C13 sockets (PA, RAL 7035), quantity see Order information
3	2	End piece, PA, RAL 7035
4	1	Connecting cable, 2 m, black, open end with ferrules, H05VV-F 3G 1.5 mm <sup>2</sup>
5	2	Mounting bracket, PA, RAL 7035, (on 19" versions only)

### ORDER INFORMATION

Sockets	Length Inch	Length mm	Depth mm	Part no.
8	19"	438.5	44	<b>60110-290</b>
12	19"	438.5	44	<b>60110-291</b>
16	–	608.5	44	<b>60110-292</b>

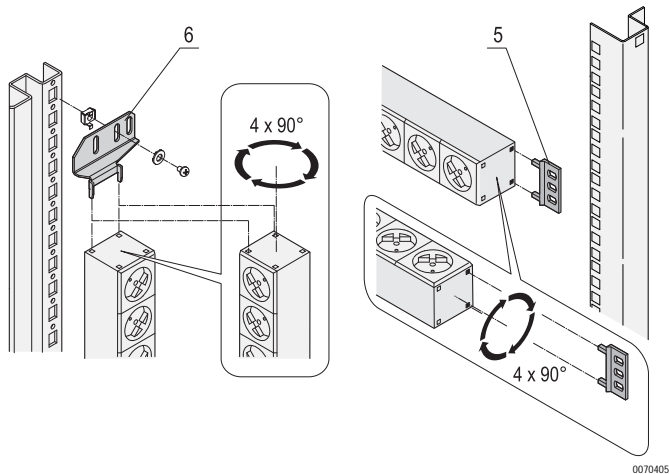
Delivery: fitted in cabinet or on frame	Part no./05
Delivery: supplied loose with cabinet or frame	Part no./35

### Accessories

Locking tab for IEC 60320-C13 connector PU 12 pieces	<b>60110-362</b>
Item 6 <b>Mounting bracket for socket strips</b> for vertical mounting, St, 2 mm, PU 2 pieces	<b>20110-068</b>
Mounting plate for mounting of two socket strips side by side for vertical mounting, St, 2 mm, height 70 mm, depth 135 mm, PU 2 pieces	23130-010
Mains cable, IEC : for locking tab IEC 60320-C14 plug, IEC 60320 C13 socket, 0.5 m, 1 piece	<b>60110-360</b>
Mains cable, IEC : for locking tab IEC 60320-C14 plug, IEC 60320 C13 socket, 1 m, 1 piece	<b>60110-361</b>

### NOTE

- Please order bracket for vertical mounting separately
- IEC socket strips, telemonitored and remote-controlled see page 3.75
- IEC socket strips with universal connections (Wieland® connectors) see page 3.67



00704051

Item 6: bracket for vertical mounting



00708036

Strain relief provided by locking tabs

# Cabinet Accessories – Socket strips

## IEC SOCKET STRIP, C19



- Socket strips with C19 IEC sockets (8 or 12 pieces)
- Mounting height 1 U
- Connecting cable 2 m, with connector in accordance with IEC 60309
- Socket strips can be rotated through all four directions (in 90° increments) during installation
- Vertical mounting (19" version horizontal or vertical)
- 230 V, 32 A (with 2 x 16 A fuse), 16 A (without fuse)



### DELIVERY COMPRISES

Item	Qty	Description
1	1	Al extrusion, 1 U, anodised, for sockets and functional elements
2		Sockets, IEC 60320 C19 (PA, RAL 7035), for type and quantity see Order information
3	2	End piece, PA, RAL 7035
4	1	Connecting cable, 2 m, with IEC 60309 connector
5	2	Mounting bracket, PA, RAL 7035, only for 19" versions

### ORDER INFORMATION

Sockets	Length	Length	Depth	Input	Fuse	Part no.
IEC 60320 C19	Inch	mm	mm			
8	19"	438.5	44	230 V <sub>AC</sub> , 16 A	–	<b>60110-280</b>
12	–	947.5	44	230 V <sub>AC</sub> , 16 A	–	<b>60110-282</b>
12	–	947.5	44	230 V <sub>AC</sub> , 32 A	2 x 16 A	<b>60110-281</b>

Delivery: fitted in cabinet or on frame

Part no./05

Delivery: supplied loose with cabinet or frame

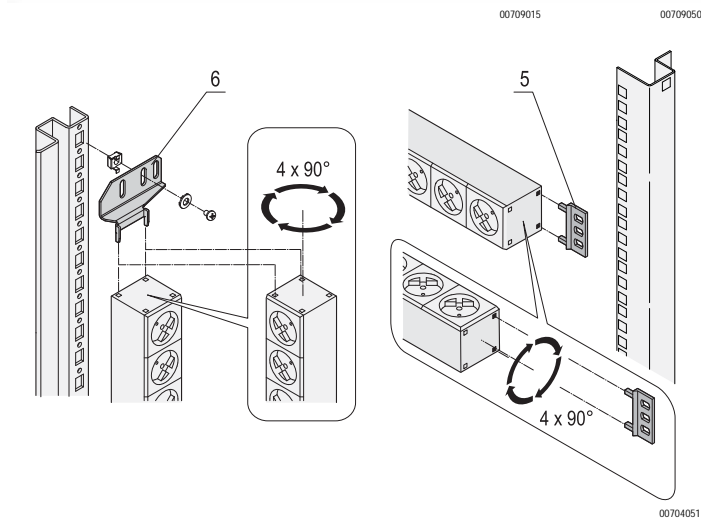
Part no./35

### Accessories

Item 6	Mounting bracket for one socket strip for vertical mounting, St, 2 mm, PU 2 pieces	<b>20110-068</b>
	Mounting plate for mounting of two socket strips side by side for vertical mounting, St, 2 mm, height 70 mm, depth 135 mm, PU 2 pieces	23130-010

### NOTE

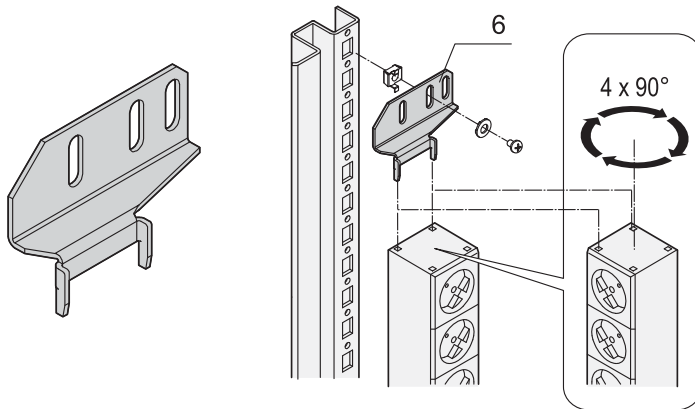
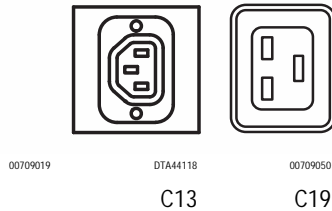
- Please order bracket for vertical mounting separately
- 19" assembly kit see page 3.17



Item 6: bracket for vertical mounting

# Cabinet Accessories – Socket strips

## IEC SOCKET STRIP, 3 PHASE



Item 6: bracket for vertical mounting

- Socket strips with IEC sockets in accordance with IEC 60320 (C13 or C13/C19)
- Mounting height 1 U
- Connecting cable 2 m, 3 phase, with connector plug in accordance with IEC 60309 (16 A or 32 A)
- Socket strips can be rotated through all four directions (in 90° increments) during installation
- Vertical mounting
- 400 V, 32 A (with 6 x 16 A fuse), 16 A (without fuse)



### DELIVERY COMPRISES

Item	Qty	Description
1	1	Al extrusion, 1 U, anodised, for sockets and functional elements
2		Sockets IEC 60320 (PA, RAL 7035), type and quantity see Order information
3	2	End piece, PA, RAL 7035
4	1	Connecting cable, 2 m, with IEC 60309 connector

### ORDER INFORMATION

Input	Length mm	Depth mm	Output	Fuse	Part no.
400 V <sub>AC</sub> , 16 A	947.5	44	18 x IEC C13	–	<b>60110-283</b>
400 V <sub>AC</sub> , 16 A	947.5	44	18 x IEC C13, 6 x IEC C19	–	<b>60110-284</b>
400 V <sub>AC</sub> , 32 A	1753	44	24 x IEC C13, 6 x IEC C19	6 x 16 A	<b>60110-285</b>

Delivery: fitted in cabinet or on frame

Part no./05

Delivery: supplied loose with cabinet or frame

Part no./35

### Accessories

Item 6	Mounting bracket for one socket strip for vertical mounting, St, 2 mm, PU 2 pieces	<b>20110-068</b>
--------	------------------------------------------------------------------------------------	------------------

Mounting plate for mounting of two socket strips side by side for vertical mounting, St, 2 mm, height 70 mm, depth 135 mm, PU 2 pieces

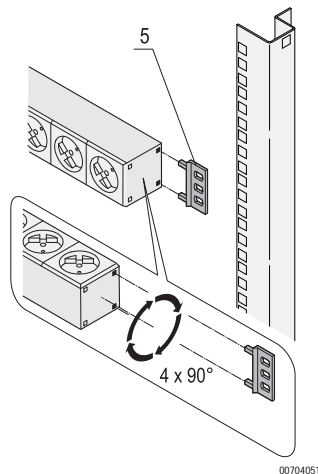
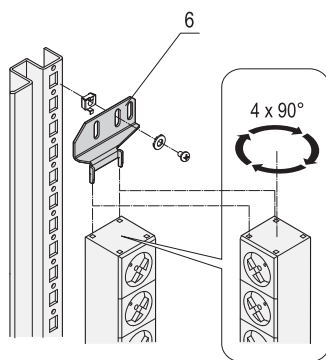
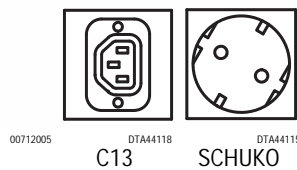
23130-010

### NOTE

- Please order bracket for vertical mounting separately
- 19" assembly kit see page 3.17

# Cabinet Accessories – Socket strips

## SOCKET STRIPS WITH 2 SUPPLY CABLES, SCHUKO AND IEC, 3 PHASE



- Socket strips with IEC 60320-C13 sockets and SCHUKO sockets
- Mounting height 1 U
- Two connector cables (halved in direction of length), 3 m (with open end), 2 x 3 phase, 400 V<sub>AC</sub> (red, black, white area)
- Socket strips can be rotated in all directions (in 90° increments) during installation
- Horizontal and vertical assembly possible



### DELIVERY INCLUDES

Item	Qty	Description
1	1	Al extrusion, 1 U, anodized, for socket inserts
2		Socket inserts, IEC 60320 (PA, RAL 7035), type and quantity see Order information
3	2	Endpiece, PA, RAL 7035
4	1	Connector cable, 2 x 2 m, open cable end for laying

### ORDER INFORMATION

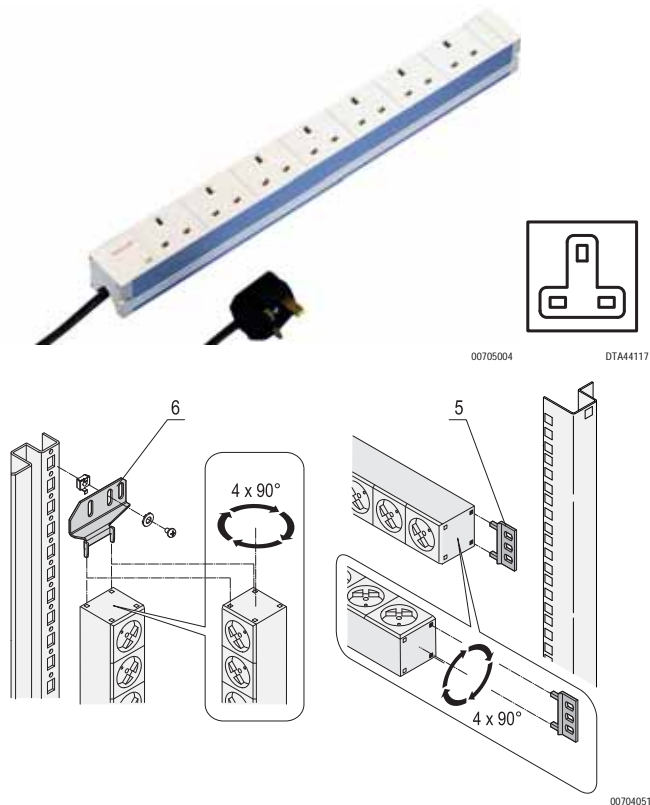
Input	Length mm	Depth mm	Output	Part no.
400 V <sub>AC</sub> , 16 A	1848.5	44	36 x IEC C13 + 12 x SCHUKO	<b>60110-286</b>
400 V <sub>AC</sub> , 16 A	1848.5	44	48 x IEC C13	<b>60110-287</b>
Delivery: fitted in cabinet or on frame				Part no./05
Delivery: supplied loose with cabinet or frame				Part no./35
<b>Accessories</b>				
Item 6	Mounting bracket for one socket strip for vertical mounting, St, 2 mm, PU 2 pieces			<b>20110-068</b>
Mounting plate for mounting of two socket strips side by side for vertical mounting, St, 2 mm, height 70 mm, depth 135 mm, PU 2 pieces				23130-010

### NOTE

- Fixing bracket for vertical mounting, only required for fitting into 47 U cabinet, please order separately

# Cabinet Accessories – Socket strips

## BS SOCKET STRIP



Item 6: bracket for vertical mounting

- Socket strips with British Standard sockets, optionally with switch
- Installation height 1 U
- Supply cable 2 m with BS plug (fuse integrated)
- Socket strips can be rotated through all four directions (in 90° increments) during installation
- Horizontal and vertical mounting
- 230 V, 13 A
- In accordance with BS 1363



### DELIVERY COMPRISES (assembled)

Item	Qty	Description
1	1	Al extrusion, 1 U, anodised, for sockets and functional elements
2		BS sockets (PA, RAL 7035) and switch (illuminated), type and quantity see Order information
3	2	End piece, PA, RAL 7035
4	1	Connecting cable, black, 2 m, 05VV-F 3G 1.5 mm <sup>2</sup> , with BS connector (integrated 13 A fuse), PVC, encapsulated
5	2	Mounting bracket, PA, RAL 7035, only for 19" versions

### ORDER INFORMATION

Description	Sockets	Length Inch	Length mm	Depth mm	Part no.
BS	7	19"	438.5	44	<b>60110-243</b>
BS	10	–	947.5	44	<b>60110-244</b>
BS with switch	6	19"	438.5	44	<b>60110-245</b>

Delivery: fitted in cabinet or on frame Part no./05

Delivery: supplied loose with cabinet or frame Part no./35

#### Accessories

Item 6 Mounting bracket for one socket strip for vertical mounting, St, 2 mm, PU 2 pieces	<b>20110-068</b>
Mounting plate for mounting of two socket strips side by side for vertical mounting, St, 2 mm, height 70 mm, depth 135 mm, PU 2 pieces	23130-010

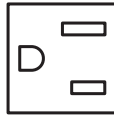
### NOTE

- Please order mounting bracket for vertical mounting separately



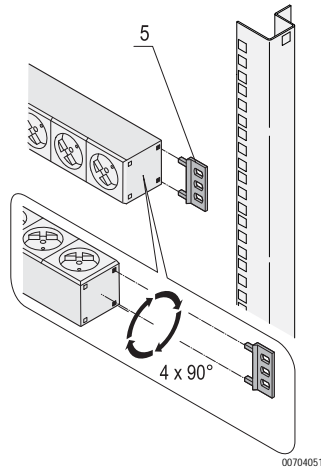
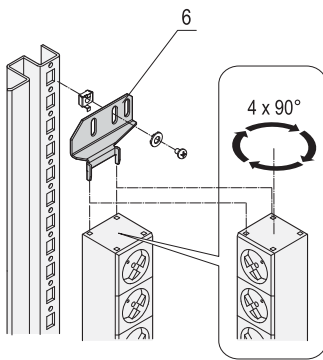
# Cabinet Accessories – Socket strips

## USA SOCKET STRIP



00705005

DTA44797



Item 6: bracket for vertical mounting

- Socket strips with USA sockets, alternatively with switch
- Mounting height 1 U
- Connecting cable 2 m, with USA plug
- Socket strips can be rotated through all four directions (in 90° increments) during installation
- Horizontal and vertical mounting
- 115 V, 15 A
- In accordance with UL-498

**DELIVERY COMPRISES** (assembled)

Item	Qty	Description
1	1	Al extrusion, 1 U, anodised, for sockets and functional elements
2		USA sockets (PA, RAL 7035) and switch (illuminated), for type and quantity see Order information
3	2	End piece, PA, RAL 7035
4	1	Connecting cable, black, 2 m, 05VV-F 3G 1.5 mm <sup>2</sup> , with USA socket, PVC, encapsulated
5	2	Mounting bracket, PA, RAL 7035, only for 19" versions

**ORDER INFORMATION**

Description	Socket inserts	Length Inch	Length mm	Depth mm	Part no.
US	11	19"	438.5	44	<b>60110-240</b>
US	15	–	947.5	44	<b>60110-241</b>
US with switch	11	19"	438.5	44	<b>60110-242</b>
<b>Delivery: fitted in cabinet or on frame</b>					<b>Part no./05</b>
<b>Delivery: supplied loose with cabinet or frame</b>					<b>Part no./35</b>

**Accessories**

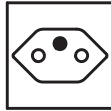
Item 6 Mounting bracket for one socket strip for vertical mounting, St, 2 mm, PU 2 pieces	<b>20110-068</b>
Mounting plate for mounting of two socket strips side by side for vertical mounting, St, 2 mm, height 70 mm, depth 135 mm, PU 2 pieces	23130-010

**NOTE**

- Please order mounting bracket for vertical mounting separately

# Cabinet Accessories – Socket strips

## SWISS SOCKET STRIP



00705006

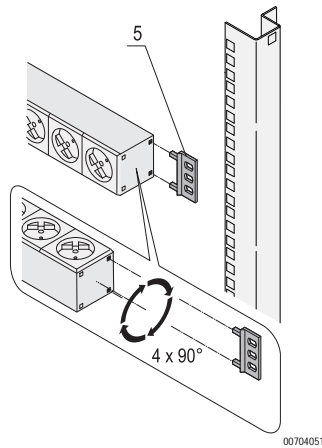
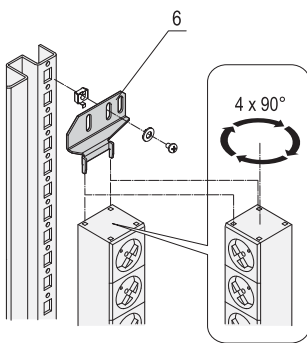
DTA44124

- Socket strips with sockets, Swiss version, optionally with switch
- Installation height 1 U
- Connecting cable 2 m with Swiss version plug
- Socket strips can be rotated through all four directions (in 90° increments) during installation
- Horizontal and vertical mounting
- 230 V, 10 A
- In accordance with SEV.IEC 60884



### DELIVERY COMPRISES (assembled)

Item	Qty	Description
1	1	Al extrusion, 1 U, anodised, for sockets and functional elements
2		Sockets, Swiss version (PA, RAL 7035), switch (illuminated), for type and quantity see Order information
3	2	End piece, PA, RAL 7035
4	1	Supply cable, black, 2 m, 05VV-F 3G 1.0 mm <sup>2</sup> , with plug (Swiss version), PVC, moulded
5	2	Mounting bracket, PA, RAL 7035



00704051

Item 6: bracket for vertical mounting

### ORDER INFORMATION

Description	Sockets	Length Inch	Length mm	Depth mm	Part no.
Swiss version	10	19"	438.5	44	<b>60110-453</b>
Swiss version with switch	9	19"	438.5	44	<b>60110-454</b>
Delivery: fitted in cabinet or on frame					Part no./05
Delivery: supplied loose with cabinet or frame					Part no./35

#### Accessories

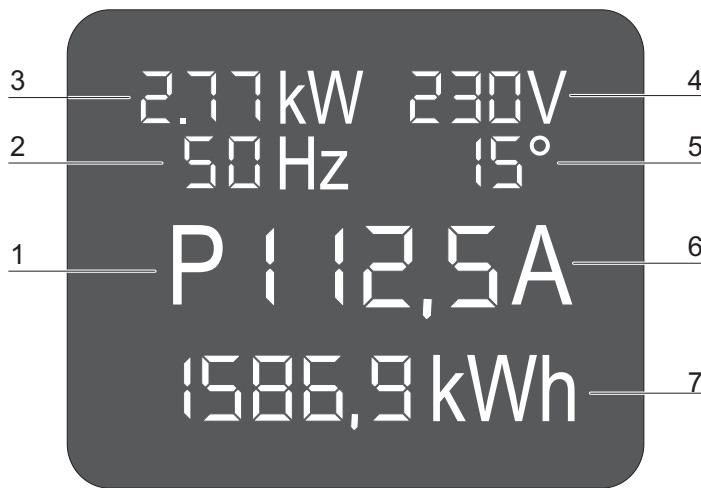
Item 6	Mounting bracket for one socket strip for vertical mounting, St, 2 mm, PU 2 pieces	<b>20110-068</b>
	Mounting plate for mounting of two socket strips side by side for vertical mounting, St, 2 mm, height 70 mm, depth 135 mm, PU 2 pieces	23130-010

### NOTE

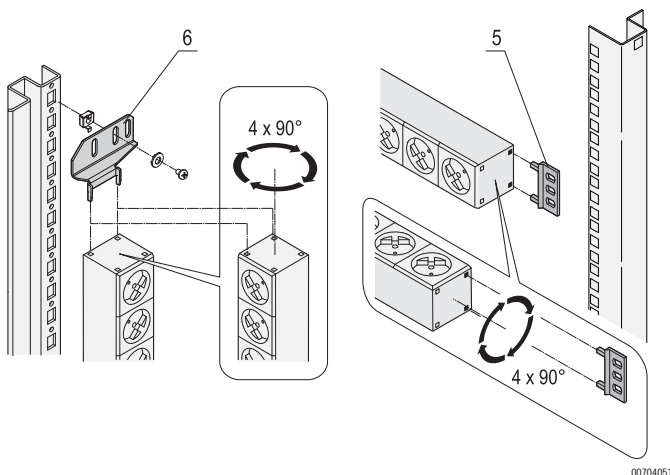
- Please order mounting bracket for vertical mounting separately

# Cabinet Accessories – Socket strips

## SOCKET STRIPS WITH POWER MEASUREMENT READOUT ON LOCAL DISPLAY



- 1: Phase indication (P1) - shows measured phase values
- 2: Frequency (Hz) - current mains frequency
- 3: Power measurement (kW) - actual power being consumed by consumers taking phase shift into consideration (power consumption of connected devices)
- 4: Mains voltage (V) - current voltage of mains to which the measurement unit is currently connected
- 5: Phase angle (°) - phase shift in the mains supply
- 6: Current (A) - current now being drawn by the connected devices
- 7: Kilowatt-hours (kWh) - energy meter to record the energy consumption of the connected equipment



- Socket strips with Schuko or IEC 60320-C13 sockets
- Integrated measurement and display via local display unit
- Mounting height 1 U
- Socket strips can be rotated through all four directions (in 90° increments) during installation
- Horizontal and vertical mounting



### DELIVERY COMPRISES

Item	Qty	Description
1	1	Al extrusion, 1 U, anodised, to accept the sockets and display
2		Sockets, PA, for type and quantity see Order information
3	2	End piece, PA, RAL 7035
4	1	Connecting cable, black, 2 m, 05VV-F 3G 1.5 mm <sup>2</sup> , with SCHUKO/UTE connector, PVC, encapsulated
5	2	Mounting bracket, PA, RAL 7035
7	1	User manual

### ORDER INFORMATION

Height U	Length mm	Measurements	Depth mm	Number of outputs	Part no.
1	19"	438.5 I, V, P, f, cos phi	44	7 x SCHUKO, "German 3-wire", earthed/grounded	<b>60110-294</b>
1	19"	438.5 I, V, P, f, cos phi	44	8 x IEC C13	<b>60110-296</b>

Delivery: fitted in cabinet or on frame Part no./05  
 Delivery: supplied loose with cabinet or frame Part no./35

### Accessories

Item 6 Mounting bracket for one socket strip for vertical mounting, St, 2 mm, PU 2 pieces **20110-068**

Mounting plate for mounting of two socket strips side by side for vertical mounting, St, 2 mm, height 70 mm, depth 135 mm, PU 2 pieces 23130-010

# Cabinet Accessories – Socket strips

## 19" POWER DISTRIBUTOR , 3-PHASE



00708033



00708035

Overcurrent protection switch (per phase and output socket)



00708034

Rear: Plug retaining clip and cable fitting



00708041

Mains cable for Wieland® socket strips

- 3-phase distributor for connecting to single-phase consumers or socket strips
- Input 3-phase 400 V<sub>AC</sub> (32 A or 63 A)
- Output via IEC 60320-C19 sockets
  - 6 × 230 V<sub>AC</sub> in 32 A/phase version
  - 9 × 230 V<sub>AC</sub> in 63 A/phase version
- Overcurrent protection for each output



### DELIVERY COMPRISES (assembled)

Item	Qty	Description
1	1	19" power distributor, 3 U, St, 1.5 mm, RAL 7021, with cable fitting M32, plastic, white
2	6/9	Socket inserts IEC 60320-C19, with plug retaining clip, quantity see Order information
3	6/9	Overcurrent protection switch, 16 A, quantity see Order information
4	2	Handle, AI, black, incl. assembly kit (supplied loose)

### ORDER INFORMATION

Height mm	Width mm	Depth mm	Output	Input	Part no.
131	484	250	6 (2 × 230 V <sub>AC</sub> per phase)	3 × 32 A (400 V <sub>AC</sub> )	<b>60110-365</b>
131	484	250	9 (3 × 230 V <sub>AC</sub> per phase)	3 × 63 A (400 V <sub>AC</sub> )	<b>60110-366</b>

Delivery: fitted in cabinet or on frame

Part no./05

Delivery: supplied loose with cabinet or frame

Part no./35

### Accessories

Mains cable, IEC 60320 C20 plug, Wieland® socket to connect 19" power distributor to Wieland® sockets length 1 m, 1 piece	<b>60110-326</b>
Mains cable, IEC 60320 C20 plug, Wieland® socket to connect 19" power distributor to Wieland® sockets length 1 m, 1 piece	<b>60110-327</b>
Mains cable, IEC 60320 C20 plug, Wieland® socket to connect 19" power distributor to Wieland® sockets length 5 m, 1 piece	<b>60110-328</b>

### NOTE

- SCHUKO socket strip see page 3.67
- UTE socket strip see page 3.68
- IEC socket strip see page 3.69

# Cabinet Accessories – Socket strips

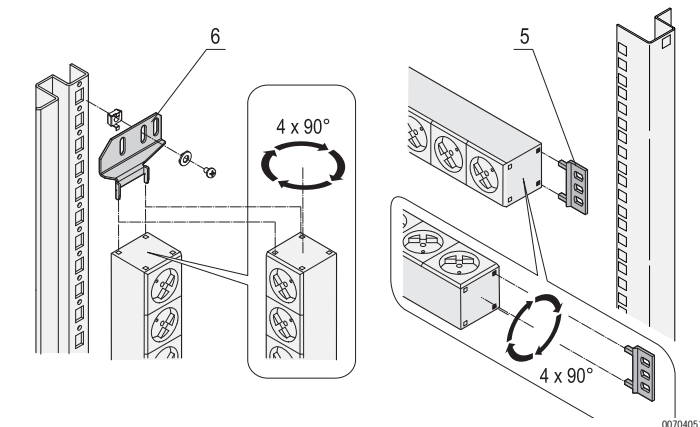
## SCHUKO SOCKET STRIP WITH WIELAND® INPUT



- Installation height 1 U
- Input via Wieland® GST 18 plug
- Output via SCHUKO sockets
- Versions with or without overcurrent protection
- Sockets in white, black or red
- Socket strips can be rotated through all four directions (in 90° increments) during installation
- Horizontal or vertical mounting
- In accordance with DIN 57620



Overcurrent protection switch



Item 6: bracket for vertical mounting



### DELIVERY COMPRISES

Item	Qty	Description
1	1	Al extrusion, 1 U, anodised, length 438.5 mm, depth 44 mm, height 44.45; to accept the sockets
2	6/8	Sockets (rotated 35°, polyamide), quantity and colour see Order information
3	2	End piece, PA, RAL 7035
4	1	Wieland connecting socket® GST 18
5	2	Mounting bracket, PA, RAL 7035

### NOTE

- Please order bracket for vertical mounting separately
- Mains connection cables, see page 3.70
- 19" power distributor for connection of multiple socket strips, see page 3.66

### ORDER INFORMATION

Description	Sockets	Length Inch	Length mm	Depth mm	Functional element	Part no.
SCHUKO, white, Wieland®, with over-current protection switch	6	19"	438.5	44	Overcurrent protection	<b>60110-352</b>
SCHUKO, black, Wieland®, with over-current protection switch	6	19"	438.5	44	Overcurrent protection	<b>60110-353</b>
SCHUKO, red, Wieland®, with over-current protection switch	6	19"	438.5	44	Overcurrent protection	<b>60110-354</b>
SCHUKO, white, Wieland®	8	19"	438.5	44	–	<b>60110-343</b>
SCHUKO, black, Wieland®	8	19"	438.5	44	–	<b>60110-344</b>
SCHUKO, red, Wieland®	8	19"	438.5	44	–	<b>60110-345</b>
Delivery: fitted in cabinet or on frame						Part no./05
Delivery: supplied loose with cabinet or frame						Part no./35
<b>Accessories</b>						
Item 6 Mounting bracket for one socket strip for vertical mounting, St, 2 mm, PU 2 pieces						<b>20110-068</b>
Mounting plate for mounting of two socket strips side by side for vertical mounting, St, 2 mm, height 70 mm, depth 135 mm, PU 2 pieces						23130-010

# Cabinet Accessories – Socket strips

## UTE SOCKET STRIP WITH WIELAND® CONNECTION



00708045

DTA44116

- Installation height 1 U
- Input via Wieland® GST 18 plug
- Output via UTE sockets
- Versions with or without overcurrent protection
- Sockets in white, black or red
- Socket strips can be rotated through all four directions (in 90° increments) during fitting
- Horizontal or vertical mounting
- In accordance with NFC 61-303



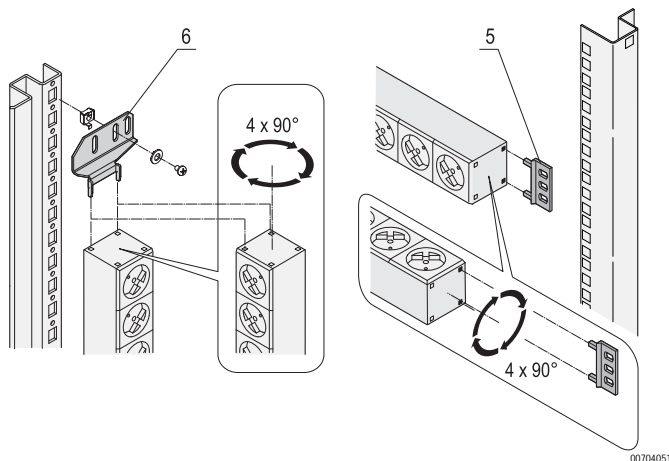
### DELIVERY COMPRISES

Item	Qty	Description
1	1	Al extrusion, 1 U, anodised, length 438.5 mm, depth 44 mm, height 44.45; to accept the sockets
2	6/8	Socket inserts (rotated 35°, polyamide), quantity and colour see Order information
3	2	End piece, PA, RAL 7035
4	1	Wieland connecting socket® GST 18
5	2	Mounting bracket, PA, RAL 7035



00708048

Overcurrent protection switch



00704051

Item 6: bracket for vertical mounting

### NOTE

- Please order mounting bracket for vertical mounting separately
- Mains connection cables see page 3.70
- 19" power distributor to connect multiple socket strips see page 3.66

### ORDER INFORMATION

Description	Sockets	Length Inch	Length mm	Depth mm	Functional element	Part no.
UTE, white, Wieland®, with over-current protection switch	6	19"	438.5	44	Overcurrent protection	<b>60110-355</b>
UTE, black, Wieland®, with over-current protection switch	6	19"	438.5	44	Overcurrent protection	<b>60110-356</b>
UTE, red, Wieland®, with over-current protection switch	6	19"	438.5	44	Overcurrent protection	<b>60110-357</b>
UTE, white, Wieland®	8	19"	438.5	44	–	<b>60110-346</b>
UTE, black, Wieland®	8	19"	438.5	44	–	<b>60110-347</b>
UTE, red, Wieland®	8	19"	438.5	44	–	<b>60110-348</b>

Delivery: fitted in cabinet or on frame

Part no./05

Delivery: supplied loose with cabinet or frame

Part no./35

#### Accessories

Item 6 Mounting bracket for one socket strip for vertical mounting, St, 2 mm, PU 2 pieces	<b>20110-068</b>
Mounting plate for mounting of two socket strips side by side for vertical mounting, St, 2 mm, height 70 mm, depth 135 mm, PU 2 pieces	23130-010



# Cabinet Accessories – Socket strips

## IEC SOCKET STRIP WITH WIELAND® CONNECTION



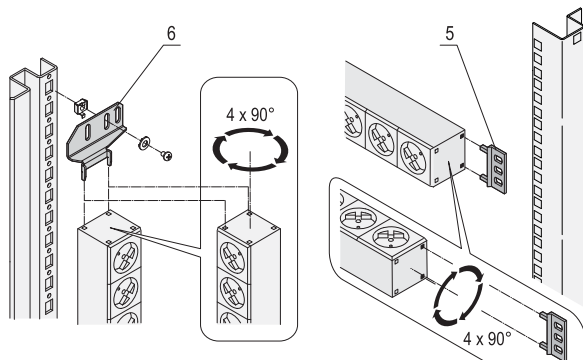
- Installation height 1 U
- Input via Wieland® GST 18 plug
- Output via IEC 60320 C-13 sockets
- Versions with or without overcurrent protection
- Socket inserts in white, black or red
- Socket strips can be rotated through all four directions (in 90° increments) during fitting
- Horizontal or vertical mounting
- In accordance with IEC 60320



Strain relief provided by locking tabs



Overcurrent protection switch



Item 6: bracket for vertical mounting

Description	Sockets	Length Inch	Length mm	Depth mm	Functional element	Part no.
IEC, white, Wieland®, with over-current protection switch	6	19"	438.5	44	Overcurrent protection	<b>60110-349</b>
IEC, black, Wieland®, with over-current protection switch	6	19"	438.5	44	Overcurrent protection	<b>60110-350</b>
IEC, red, Wieland®, with over-current protection switch	6	19"	438.5	44	Overcurrent protection	<b>60110-351</b>
IEC, white, Wieland®	12	19"	438.5	44	–	<b>60110-340</b>
IEC, black, Wieland®	12	19"	438.5	44	–	<b>60110-341</b>
IEC, red, Wieland®	12	19"	438.5	44	–	<b>60110-342</b>

Delivery: fitted in cabinet or on frame

Part no./05

Delivery: supplied loose with cabinet or frame

Part no./35

### Accessories

Item 6 Mounting bracket for one socket strip for vertical mounting, St, 2 mm, PU 2 pieces	<b>20110-068</b>
Mounting plate for mounting of two socket strips side by side for vertical mounting, St, 2 mm, height 70 mm, depth 135 mm, PU 2 pieces	23130-010
Locking tab for IEC 60320-C13 connector PU 12 pieces	<b>60110-362</b>
Mains cable, IEC for locking tab IEC 60320-C14 plug, IEC 60320 C13 socket, 0.5 m, 1 piece	<b>60110-360</b>
Mains cable, IEC for locking tab IEC 60320-C14 plug, IEC 60320 C13 socket, 1 m, 1 piece	<b>60110-361</b>



### DELIVERY COMPRISES

Item	Qty	Description
1	1	Al extrusion, 1 U, anodised, length 438.5 mm, depth 44 mm, height 44.45; to accept the sockets
2	6/12	Sockets (rotated 35°, polyamide), quantity and colour see Order information
3	2	End piece, PA, RAL 7035
4	1	Wieland connecting socket® GST 18
5	2	Mounting bracket, PA, RAL 7035

### NOTE

- Please order mounting bracket for vertical mounting separately
- Mains connection cables see page 3.70
- 19" power distributor to connect multiple socket strips see page 3.66

### ORDER INFORMATION

# Cabinet Accessories – Socket strips

## CONNECTING CABLES FOR WIELAND® SOCKET STRIPS



00708031

- Enables simple connection to current supply (e.g. for socket strips)
- Different connecting plugs
- Different cable lengths available



### DELIVERY COMPRISES

Pos.	Menge	Beschreibung
1	1	Connecting cable, 1.5 mm <sup>2</sup> , black, input, output and cable lengths see Order information

### ORDER INFORMATION

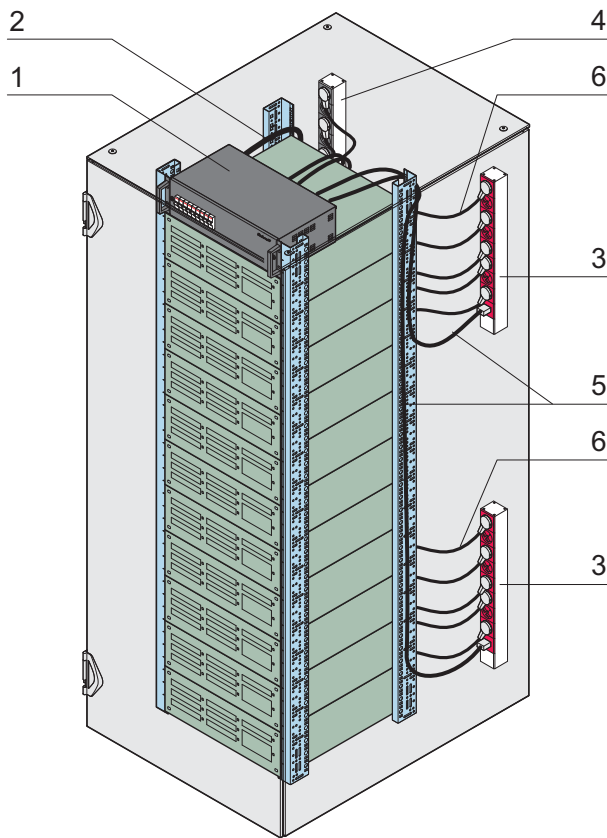
Input	Current A	Output	Length m	Part no.
Open end	16	Wieland® GST 18	1	<b>60110-320</b>
Open end	16	Wieland® GST 18	2.5	<b>60110-321</b>
Open end	16	Wieland® GST 18	5	<b>60110-322</b>
IEC 60309	16	Wieland® GST 18	1	<b>60110-323</b>
IEC 60309	16	Wieland® GST 18	2.5	<b>60110-324</b>
IEC 60309	16	Wieland® GST 18	5	<b>60110-325</b>
IEC 60320 C20	16	Wieland® GST 18	1	<b>60110-326</b>
IEC 60320 C20	16	Wieland® GST 18	2.5	<b>60110-327</b>
IEC 60320 C20	16	Wieland® GST 18	5	<b>60110-328</b>
SCHUKO (German 3-wire earthed) / UTE	16	Wieland® GST 18	1	<b>60110-329</b>
SCHUKO (German 3-wire earthed) / UTE	16	Wieland® GST 18	2.5	<b>60110-330</b>
BS plug	13	Wieland® GST 18	1	<b>60110-331</b>
BS plug	13	Wieland® GST 18	2.5	<b>60110-332</b>

### NOTE

- Other inputs, outputs and cable lengths available on request

# Cabinet Accessories – Socket strips

## THREE PHASE POWER DISTRIBUTION WITH 19" POWER DISTRIBUTOR AND SOCKET STRIPS WITH WIELAND® CONNECTION



- Modular construction
- Connection of 19" power distributor (3-phase) in cabinet requires an electrician
- Simple cabling of socket strips with plug-and-play functionality

### CABLING EXAMPLE

Item	Description
1	19" power distributor
2	3-phase current connecting cable
3	Socket strips with Wieland® connection, red
4	Socket strips with Wieland® connection, black
5	Mains cable, from 19" power distributor to socket strip
6	Mains cable, from socket strip to consumer (e.g. server)

01008070

## North America

Warwick, RI, USA

Tel +1.800.525.4682

San Diego, CA, USA

Tel +1.800.854.7086

## Europe, Middle East & India

Straubenhardt, Germany

Tel +49 7082 794 0

Betschdorf, France

Tel +33 3 88 90 64 90

Warsaw, Poland

Tel +48 22 209 98 35

Hemel Hempstead,

Great Britain

Tel +44 1442 24 04 71

Lainate, Italy

Tel +39 02 932 714 1

Dubai, United Arab Emirates

Tel +971 4 37 81 700

Bangalore, India

Tel +91 80 67152000

Istanbul, Turkey

Tel +90 216 250 7374

## Asia Pacific

Shanghai, China

Tel +86 21 2412 6943

Singapore

Tel +65 6768 5800

Shin-Yokohama, Japan

Tel +81 45 476 0271

Our powerful portfolio of brands:

**CADDY ERICO HOFFMAN RAYCHEM SCHROFF TRACER**



[nVent.com/SCHROFF](https://www.nVent.com/SCHROFF)