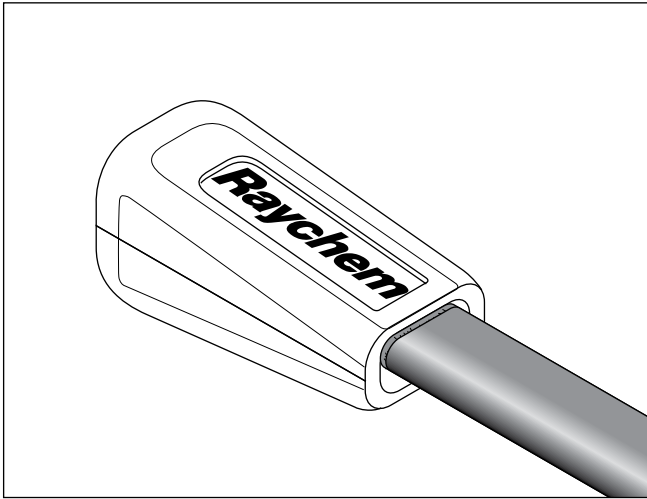


RayClic-E

RayClic End Seal Kit Installation Instructions



DESCRIPTION

The nVent RAYCHEM RayClic-E end seal is for use with nVent RAYCHEM IceStop, XL-Trace Edge, HWAT and RaySol heating cables. Materials for one end seal termination are included in this kit. The appropriate nVent RAYCHEM power connection kit must also be used. These installation instructions should be used in conjunction with the IceStop, XL-Trace Edge, HWAT and RaySol System Installation and Operation Manuals. For technical support contact your nVent representative or call nVent (800) 545-6258.

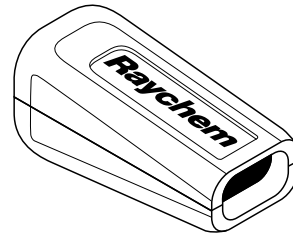
Note: The end seal can be installed only once; it cannot be removed from the heating cable. Do not use until ready for final installation.

TOOLS REQUIRED

- Utility knife
- Diagonal cutters

KIT CONTENTS

Qty	Description
1	Gel-filled end seal



APPROVALS

 **UL US LISTED** 718K Pipe Heating Cable



877Z De-Icing and Snow Melting

Not UL Listed with XL-Trace Edge heating cable for buried piping

With IceStop (GM-XT) heating cables Class I, Div. 2, Groups A, B, C, D



WARNING:

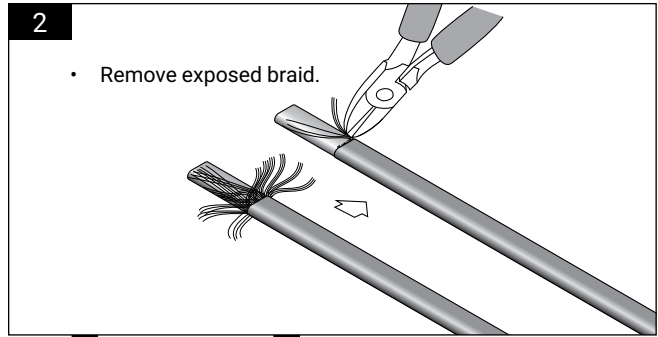
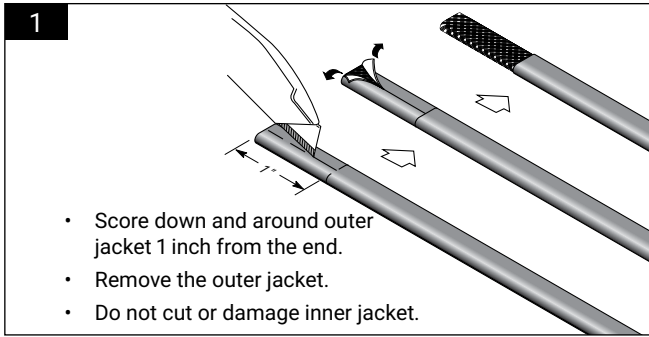
This component is an electrical device that must be installed correctly to ensure proper operation and to prevent shock or fire. Read these important warnings and carefully follow all the installation instructions.

- To minimize the danger of fire from sustained electrical arcing if the heating cable is damaged or improperly installed, and to comply with the requirements of

nVent, agency certifications, and national electrical codes, ground fault equipment protection must be used. Arcing may not be stopped by conventional circuit breakers.

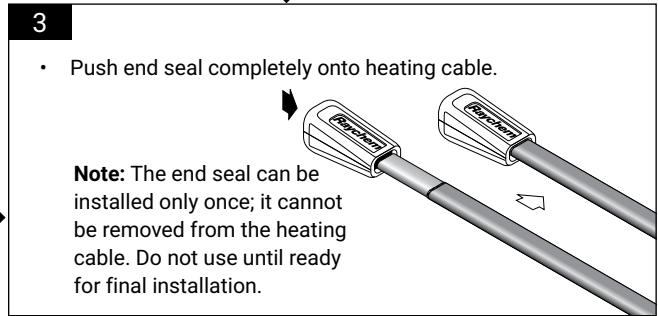
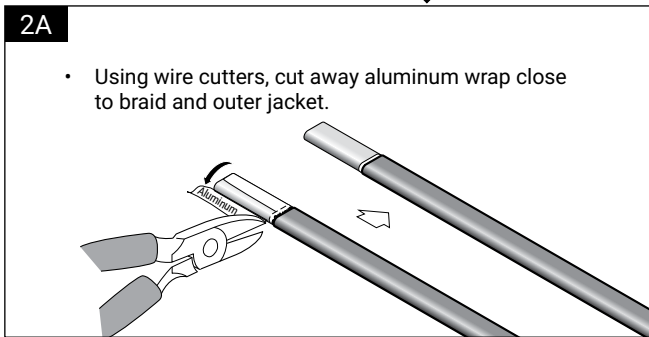
- Bus wires will short if they contact each other. Keep bus wires separated.
- The black heating cable core is conductive and can short. It must be properly insulated and kept dry.

- Component approvals and performance are based on the use of nVent-specified parts only. Do not use substitute parts or vinyl electrical tape.
- Use only fire-resistant insulation materials such as fiberglass wrap.
- Leave these instructions with end user for reference and future use.



HWAT

IceStop, XL-Trace Edge, and RaySol



North America

Tel +1.800.545.6258
 Fax +1.800.527.5703
 thermal.info@nVent.com

Europe, Middle East, Africa

Tel +32.16.213.511
 Fax +32.16.213.604
 thermal.info@nVent.com

Asia Pacific

Tel +86.21.2412.1688
 Fax +86.21.5426.3167
 cn.thermal.info@nVent.com

Latin America

Tel +1.713.868.4800
 Fax +1.713.868.2333
 thermal.info@nVent.com



nVent.com/RAYCHEM