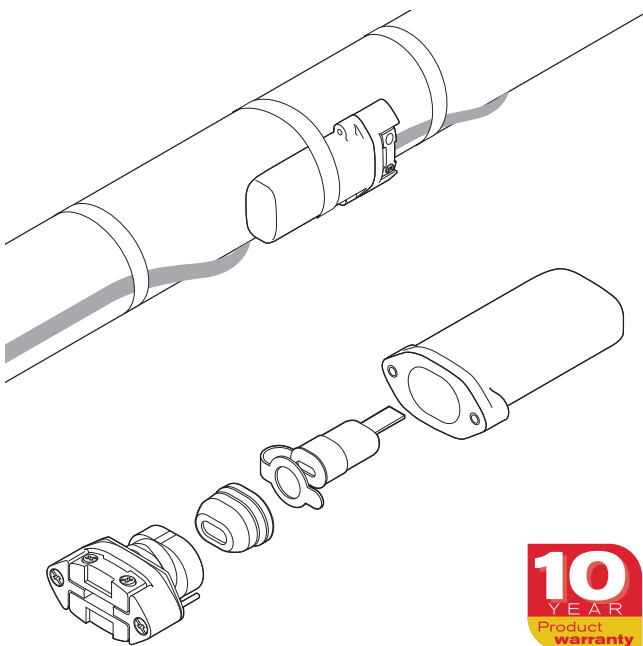


E-150

CONNECT AND PROTECT

Low-profile end seal kit

PRODUCT OVERVIEW



The nVent RAYCHEM E-150 is a cold-applied low-profile end seal. It is designed for use with the following nVent RAYCHEM brand heating cables: BTV, QTVR and XTVR. Use the E-150 in applications with temperatures ranging from -60°F to 420°F (-50°C to 215°C). It is approved by FM, CSA, and Dekra for use in hazardous locations.

The unique design of the E-150 suits the demanding requirements of the industrial environment. The low-profile housing can be installed on pipes and other surfaces. A spring-loaded grommet makes a first seal to maintain a watertight connection, while the silicone-free, noncuring sealant used in the nVent RAYCHEM sealing boot adds a second seal, providing additional protection.

The rugged construction makes the E-150 resistant to impact and suitable for high-temperature and chemical exposure.

The end seal requires no heat source for installation and it is re-enterable, making maintenance fast and easy. Each kit contains all the necessary materials to do one end termination.

DESCRIPTION

Cold-applied end seal for use with BTV, QTVR and XTVR heating cables

KIT CONTENTS

- 1 end seal enclosure housing
- 1 sealing grommet assembly
- 1 sealing boot
- 1 identification label

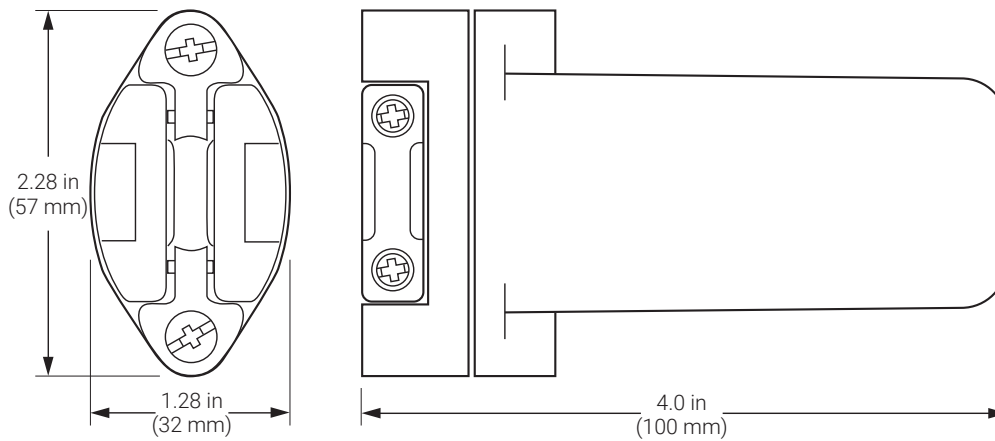
APPROVALS

Hazardous Locations

 	Class I, Div. 2, Groups A, B, C, D Class II, Div. 2, Groups F, G Class III T*	 	II 2G Ex eb IIC T* Gb II 2D Ex tb IIIC T* Db DEKRA 20 ATEX 0011U Ex eb IIC T* Gb
	Ex eb IIC T* Gb; Class I Zone 1 AEx eb IIC T* Gb Ex tb IIIC T* Db; Zone 21 AEx tb IIIC T* Db		IECEx DEK 20.0005U Ex eb IIC T* Gb Ex tb IIIC T* Db

T* For T-rating, see heating cable or design documentation

DIMENSIONS



PRODUCT SPECIFICATIONS

Heating cable capability	BTV-CR, BTV-CT, QTVR-CT, XTVR-CT
Ingress protection	NEMA 4X (IP66)
Minimum installation temperature	-40°F (-40°C)
Minimum usage temperature	-60°F (-50°C)
Maximum pipe temperature	420°F (215°C)
Operating voltage	277 Vac for FM, CSA; 254 Vac for PTB

MATERIALS OF CONSTRUCTION

Enclosure, end plate, and shim	Engineered polymer, black
Sealing grommet and core sealer	Silicone rubber
Screws, compression spring, reinforcement plate	Stainless steel

ORDERING DETAILS

Catalog number	E-150
Part number	979099-000
Weight	0.6 lb (0.3 kg)

North America

Tel +1.800.545.6258
Fax +1.800.527.5703
thermal.info@nVent.com

Europe, Middle East, Africa

Tel +32.16.213.511
Fax +32.16.213.604
thermal.info@nVent.com

Asia Pacific

Tel +86.21.2412.1688
Fax +86.21.5426.3167
cn.thermal.info@nVent.com

Latin America

Tel +1.713.868.4800
Fax +1.713.868.2333
thermal.info@nVent.com



Our powerful portfolio of brands:

CADDY ERICO HOFFMAN RAYCHEM SCHROFF TRACER