

IEK-25-PIPE and IEK-25-04

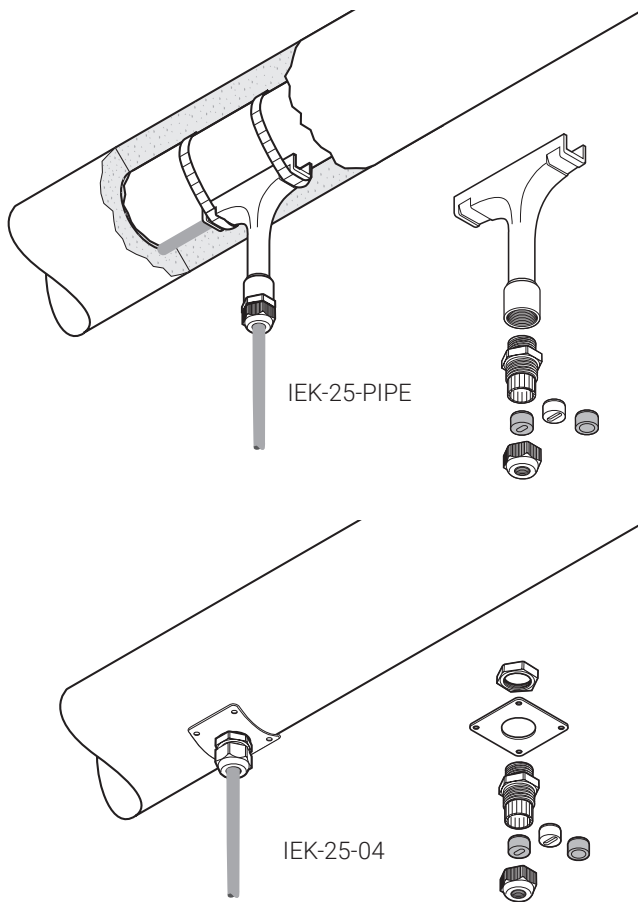


RAYCHEM

CONNECT AND PROTECT

Insulation entry kit

PRODUCT OVERVIEW



Insulation entry kits are designed to protect cables when passing through the thermal insulation cladding. The IEK's are suitable for all type of parallel heating cables as well as power cables. Insulation entry kits may be used in hazardous and non hazardous areas.

The gland and the grommet provided in the kit provide strain relief and environmental sealing to avoid water ingress in the insulation.

The nVent RAYCHEM IEK-25-PIPE contains a protective guiding tube which is fixed to the pipe and allows the heat-tracing installation to be completed independently from the insulation work. The nVent RAYCHEM IEK-25-04 contains a stainless steel plate which can be screwed to the cladding.

Insulation entry kits can be used for installations on pipes, tanks and vessels etc.

Application

IEK-25-PIPE	IEK-25-04
Insulation entry kit for pipe mounting for heating- and power cables with an outside diameter in the range of 8 to 17 mm. Kit contains 1 pc.	Insulation entry kit for pipes, tanks and vessels. Usable for all types of polymer heating cables and power cables with an outside diameter in the range of 8 to 17 mm. Kit contains 1 pc.

Kit contents

1 x polymer "T" Tube 1 x plastic gland (M25) with round hole grommet for power cables 1 x bag with 2 silicon grommets for heating cables	1 x stainless steel fixing plate 1 x plastic gland (M25) with round hole grommet for power cables 1 x bag with 2 silicon grommets for heating cables 1 x locknut
--	---

PRODUCT SPECIFICATIONS

Dimensions

Height	135 mm
Width	120 mm
Plate	60 x 60 mm (22SWG)

Technical details

	IEK-25-PIPE	IEK-25-04
Max. exposure temp.		
gland	110°C	110°C
tube	260°C	–

APPROVALS

For use in ordinary area

Product certification



ORDERING INFORMATION

Part number (Weight)	1244-001050 (0.13 kg)	332523-000 (0.06 kg)
----------------------	-----------------------	----------------------

North America

Tel +1.800.545.6258
Fax +1.800.527.5703
thermal.info@nVent.com

Europe, Middle East, Africa

Tel +32.16.213.502
Fax +32.16.213.604
thermal.info@nVent.com

Asia Pacific

Tel +86.21.2412.1688
Fax +86.21.5426.3167
cn.thermal.info@nVent.com

Latin America

Tel +1.713.868.4800
Fax +1.713.868.2333
thermal.info@nVent.com



Our powerful portfolio of brands:

CADDY ERICO HOFFMAN RAYCHEM SCHROFF TRACER