

CONNECT AND PROTECT

Interscale

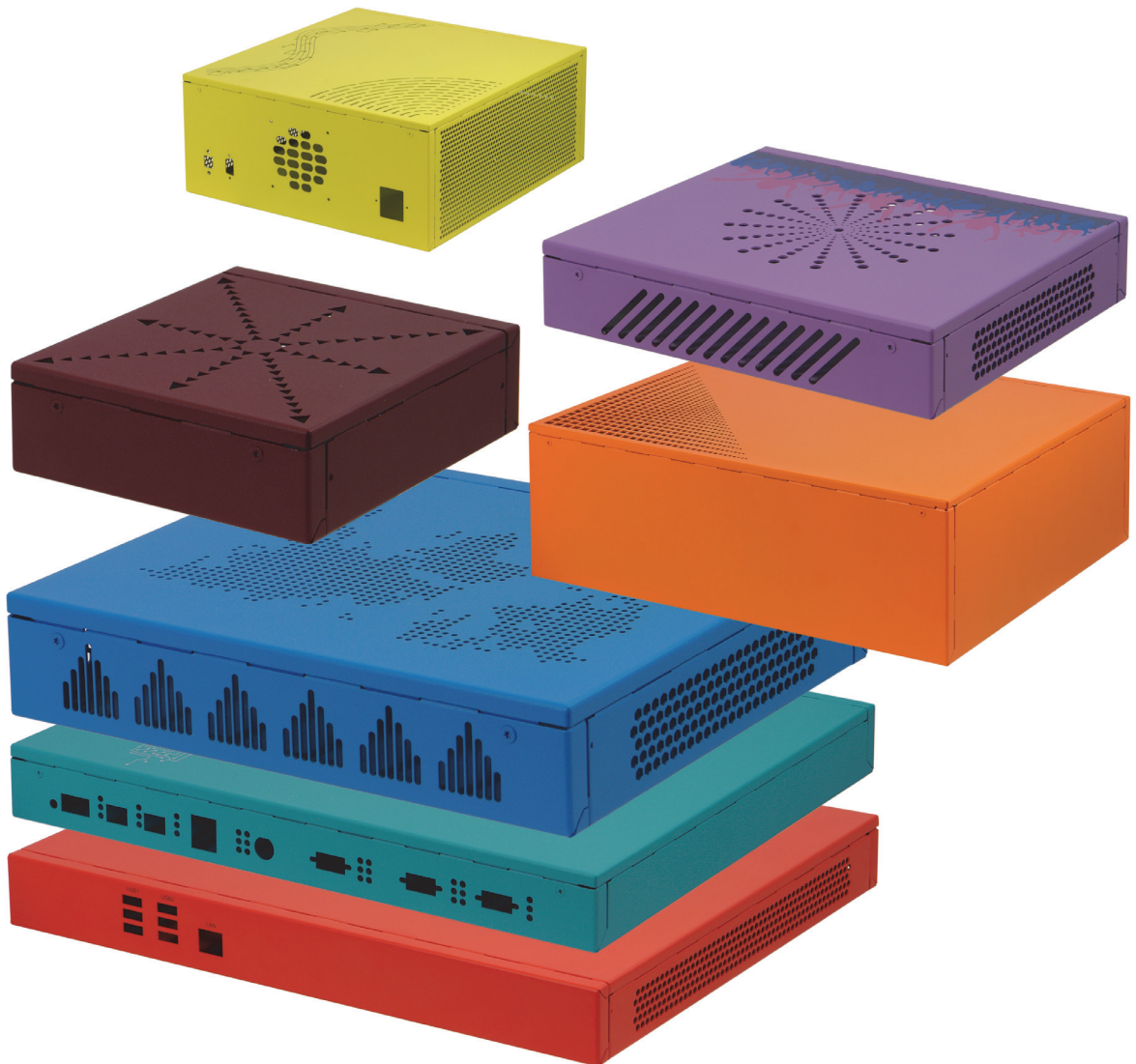
08 / 2023

Electronics cases – Interscale

OVERVIEW

MAIN KATALOG

- Cabinets 1
- Wall mounted cases 2
- Accessories for cabinets and wall mounted cases . . 3
- Climate control . . 4
- Electronics cases 5
- Subracks/ 19" chassis 6
- Front panels, plug-in units 7
- Systems 8
- Power supply units 9
- Backplanes 10
- Connectors, front panel component system 11
- Appendix 12



Electronics cases – Interscale

OVERVIEW

INTERSCALE M - BEST CASE SCENARIO FLEXIBLE CASES FOR STANDARDIZED AND NON-STANDARDIZED PCBS

- The innovative case design inspires and supports you in realizing your ideas - from initial prototypes to series production.
- The intelligent platform and extensive accessories let you create optimized case solutions quickly and easily and allows for flexible adaptation them flexibly to suit specific requirements. You have the option between making such adaptations yourself or with our support.
- In addition to its free scalability, Interscale M offers built-in EM protection and ease of mechanical processing.
- 3 service levels are available for Interscale M desktop cases and 19" cases:
 - Standard: 21 plain, 19 perforated case dimensions available from stock within 48 hours
 - Modified: Platform-based modification (color, printing and cut-outs) to standard case
 - Customized: Project-specific implementation of individual customer requirements



02613004

STANDARD CASE

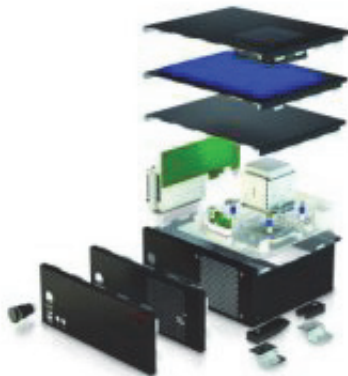
- 21 case dimensions
 - height 44, 88, 133 mm (1, 2, 3 U)
 - width 133, 221, 310, 399 mm, 19"
 - depth 133, 177, 221, 310 mm
- Case with solid side panels or perforated side panels on both sides for forced cooling
- Color anthracite gray (RAL 7016)
- Suitable accessories for all standard sizes



02613001

MODIFIED CASES

- All 21 case dimensions can be individualized with defined modification options
- Flat-rate price for colors, cut-outs and printing
- Single quantity orders accepted, ready to ship within 5 working days



CUSTOMIZED CASES

- The size of the case can be modified to exact customer requirements
- Extended color palette available for case
- Unusual cut-outs and printing can be provided on front and rear
- Special accessories available up on request

Overview ... 5.120

Interscale standard case

Desktop cases 5.123
19" cases 5.122

Accessories

Mounting plate with built-in fan holder and fans ... 5.123
Fan holder with fans 5.124
Mounting plate . . . 5.125
PCB support for mounting plate ... 5.125
Tip-up foot in plastic 5.132
Stacking aid 5.133
Plastic foot 5.131
Mounting aid 5.132
Adhesive base 5.132
Clip for horizontal rail mounting 5.131
Technical data of fans 5.123

Small Form Factor Cases – Interscale

INTERSCALE PASSIVE OR CONVECTION COOLED



02613002

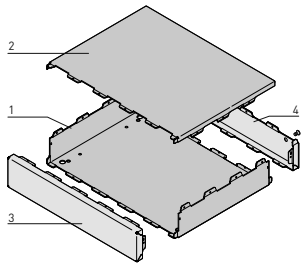


02613014

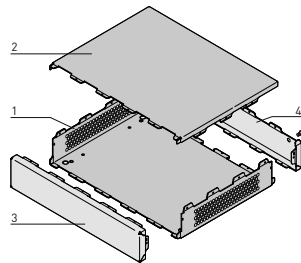
- Available plain or perforated for forced cooling with fans
- Modular case consisting of 4 easy to assemble parts
- Integrated EMC protection
- Ingress protection IP 30 (plain version)
- Color RAL 7016
- Small form factor or 19" rack mount
- Rigid construction only requires two screws
- Other dimensions, cutout shapes or locations, and screen printing available

DELIVERY INCLUDES (assembled)

Item	Qty	Description
1	1	Base with 2 side panels (plain or perforated), St, 1 mm, AlZn coated, RAL 7016 (anthracite gray); 19"-angle, 1,5 mm St, AlZn coated, RAL 7016 (only on 19" version case)
2	1	Top cover, Al, 1 mm, RAL 7016
3	1	Front panel, Al, 1 mm, RAL 7016
4	1	Rear panel, Al, 1 mm, RAL 7016
5	1	User manual



02613050

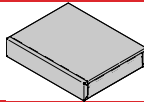
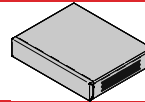


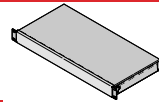
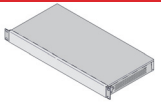
02613051

Plain case

Perforated case

ORDER INFORMATION

Desktop cases					
Height	Width	Depth	Desktop case plain	Desktop case perforated	
					
U	mm	mm	mm	Part no.	Part no.
1	43.65	132.55	132.55	14820-133	–
1	43.65	132.55	177.00	14820-134	–
1	43.65	221.45	177.00	14820-154	14825-154
1	43.65	221.45	221.45	14820-155	14825-155
1	43.65	310.35	221.45	14820-175	14825-175
1	43.65	399.25	221.45	14820-195	14825-195
1	43.65	399.25	310.35	14820-197	14825-197
2	88.10	221.45	177.00	14820-254	14825-254
2	88.10	221.45	221.45	14820-255	14825-255
2	88.10	310.35	221.45	14820-275	14825-275
2	88.10	399.25	221.45	14820-295	14825-295
2	88.10	399.25	310.35	14820-297	14825-297
3	132.55	310.35	221.45	14820-375	14825-375
3	132.55	399.25	221.45	14820-395	14825-395
3	132.55	399.25	310.35	14820-397	14825-397

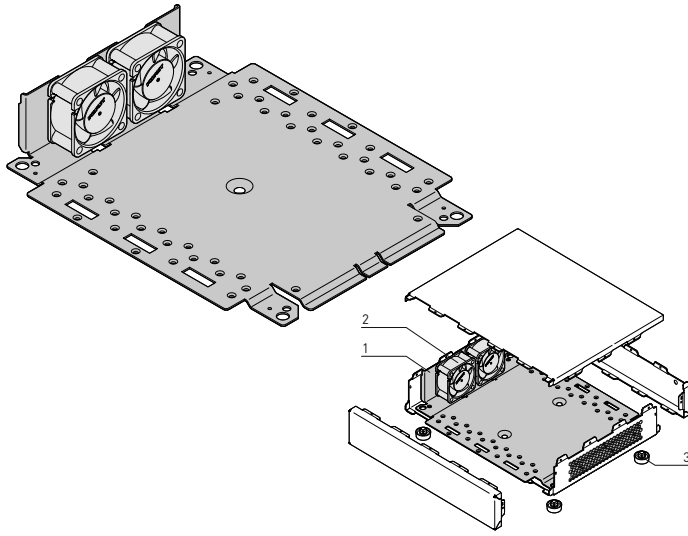
19" cases					
Height	Width	Depth	19" case plain	19" case perforated	
					
U	mm	mm	mm	Part no.	Part no.
1	43.65	443.70	221.45	14821-105	14826-105
1	43.65	443.70	310.35	14821-107	14826-107
2	88.10	443.70	221.45	14821-205	14826-205
2	88.10	443.70	310.35	14821-207	14826-207
3	132.55	443.70	221.45	14821-305	14826-305
3	132.55	443.70	310.35	14821-307	14826-307

Accessories

Fan mount with fans, 80 mm height	Page 5.126	Stacking aid	Page 5.133
Clip for horizontal rail mounting	Page 5.131	Rubber feet	Page 5.131
Wall or Desktop mounting bracket	Page 5.132	Plastic feet	Page 5.133
Plastic tip-up feet	Page 5.132	Assembly tool	Page 5.132

Small Form Factor Cases – Interscale

MOUNTING PLATE WITH BUILT-IN FAN HOLDER AND FANS



02613059 02613053

Illustration shows desktop case

- Mounting plate (raised 4 mm) with integrated fan holder including fan kit for perforated case versions
- Fans are simple to fit to the mounting plate using vibration-damping fixing material
- Mounting plate fixes into desktop case with 4 plastic feet or into 19" case with 4 screws

DELIVERY INCLUDES

Item	Qty	Description
1	1	Mounting plate with fan holder, St, 1 mm, AlZn coated
2		For fan size and quantity see Order Information
3a	4	Desktop cases: Plastic foot, PC, UL 94 V-0, black
3b	4	19" case (width 444 mm): Countersunk screw
4	1	Assembly kit and user manual

ORDER INFORMATION

	For case height		For case width		For case depth		Fan holder with fans			Part no.
	U	mm	mm	mm	mm	mm	mm	mm	Number of fans	
Desktop cases	1	44	221	177	41.15	214.95	173.00	40 x 40 x 20	2	24827-154
	1	44	221	221	41.15	214.95	217.45	40 x 40 x 20	3	24827-155
	1	44	310	221	41.15	303.85	217.45	40 x 40 x 20	3	24827-175
	1	44	399	221	41.15	392.75	217.45	40 x 40 x 20	3	24827-195
	1	44	399	310	41.15	392.75	306.35	40 x 40 x 20	5	24827-197
	2	88	221	177	85.60	214.95	173.00	80 x 80 x 25	1	24827-254
	2	88	221	221	85.60	214.95	217.45	80 x 80 x 25	1	24827-255
	2	88	310	221	85.60	303.85	217.45	80 x 80 x 25	1	24827-275
	2	88	399	221	85.60	392.75	217.45	80 x 80 x 25	1	24827-295
	2	88	399	310	85.60	392.75	306.35	80 x 80 x 25	2	24827-297
	3	133	310	221	130.05	303.85	217.45	119 x 119 x 25	1	24827-375
	3	133	399	221	130.05	392.75	217.45	119 x 119 x 25	1	24827-395
19" cases	1	44	444	221	41.15	437.20	217.45	40 x 40 x 20	3	24827-105
	1	44	444	310	41.15	437.20	306.35	40 x 40 x 20	5	24827-107

TECHNICAL DATA OF DC AXIAL FANS



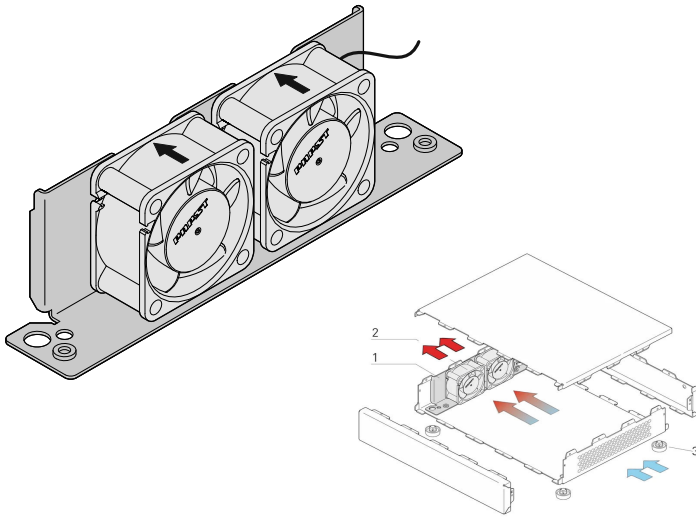
01108005

Illustration shows fan with dimensions 119 x 119 x 25 mm

Fan dimensions	40 x 40 x 20 mm	80 x 80 x 25 mm	119 x 119 x 25 mm
Nominal voltage	12 VDC	12 VDC	12 VDC
Airflow volume	10 m ³ /h	69 m ³ /h	170 m ³ /h
Noise level	18 dB(A)	32 dB(A)	43 dB(A)
Power consumption	0.9 W	2 W	5.3 W
Ambient temperature	- 20 ... +70 °C		
Terminal (AWG 28, TR 64, stripped and tin-plated)	Cable length 310 mm		
Approvals	VDE, CSA, UL		

Small Form Factor Cases – Interscale

FAN HOLDER WITH FANS



02613060 02613054

Illustration shows desktop case

- Fan holder for mounting on bottom of case
- Fans are simple to fit to the fan holder using vibration-damping fixing material
- Fan holders fix into desktop case with 2 plastic feet or into 19" case with 2 screws

DELIVERY INCLUDES

Item	Qty	Description
1	1	Fan holder with fan openings, St, 1 mm, AlZn coated
2		For fan size and number see Order Information
3a	4	Desktop cases: Plastic foot, PC, UL 94 V-0, black
3b	2	19" case (width 444 mm): Countersunk screw
4	1	Assembly kit and user manual

ORDER INFORMATION

	For case height		For case width		For case depth		Fan holder with fans			Part no.
	U	mm	mm	mm	mm	mm	mm	mm	Number of fans	
Desktop cases	1	44	221	177	41.15	28.50	145.00	40 x 40 x 20	2	24828-104
	1	44	221	221	41.15	28.50	189.45	40 x 40 x 20	3	24828-105
	1	44	310	221	41.15	28.50	189.45	40 x 40 x 20	3	24828-105
	1	44	399	221	41.15	28.50	189.45	40 x 40 x 20	3	24828-105
	1	44	399	310	41.15	28.50	278.35	40 x 40 x 20	5	24828-107
	2	88	221	177	85.60	31.00	145.00	80 x 80 x 25	1	24828-204
	2	88	221	221	85.60	31.00	189.45	80 x 80 x 25	1	24828-205
	2	88	310	221	85.60	31.00	189.45	80 x 80 x 25	1	24828-205
	2	88	399	221	85.60	31.00	189.45	80 x 80 x 25	1	24828-205
	2	88	399	310	85.60	31.00	278.35	80 x 80 x 25	2	24828-207
	3	133	310	221	130.05	31.00	189.45	119 x 119 x 25	1	24828-305
	3	133	399	221	130.05	31.00	189.45	119 x 119 x 25	1	24828-305
19" cases	2	88	444	221	85.60	31.00	189.45	80 x 80 x 25	1	24828-205
	2	88	444	310	85.60	31.00	278.35	80 x 80 x 25	2	24828-207
	3	133	444	221	130.05	31.00	189.45	119 x 119 x 25	1	24828-305
	3	133	444	310	130.05	31.00	278.35	119 x 119 x 25	2	24828-307

NOTE

- Fan holder cannot be used in conjunction with the mounting plate (instead use mounting plate with integrated fan holder)

TECHNICAL DATA OF DC AXIAL FANS



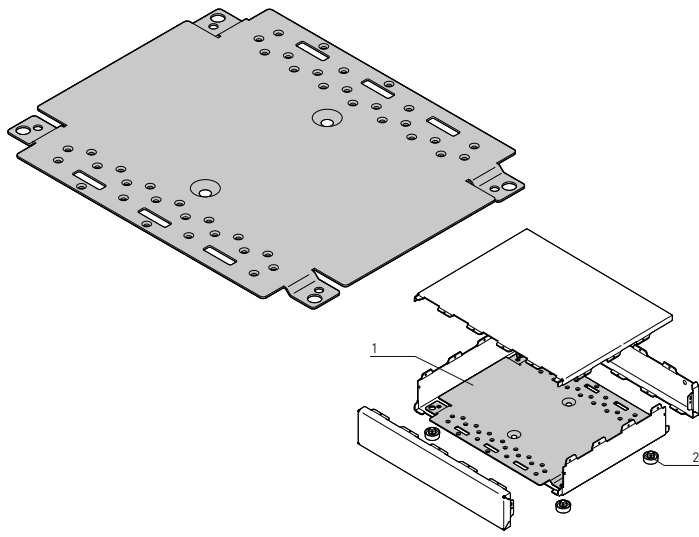
Illustration shows fan with dimensions 119 x 119 x 25 mm

01108005

Fan dimensions	40 x 40 x 20 mm	80 x 80 x 25 mm	119 x 119 x 25 mm
Nominal voltage	12 VDC	12 VDC	12 VDC
Airflow volume	10 m ³ /h	69 m ³ /h	170 m ³ /h
Noise level	18 dB(A)	32 dB(A)	43 dB(A)
Power consumption	0.9 W	2 W	5.3 W
Ambient temperature	- 20 ... +70 °C		
Terminal (AWG 28, TR 64, stripped and tin-plated)	Cable length 310 mm		
Approvals	VDE, CSA, UL		

Small Form Factor Cases – Interscale

MOUNTING PLATE



02613058

Illustration shows desktop case

02613052

- Mounting plate (raised 4 mm) for mounting individual components
- Mounting plate fixes into desktop case with 4 plastic feet or into 19" case with 4 screws

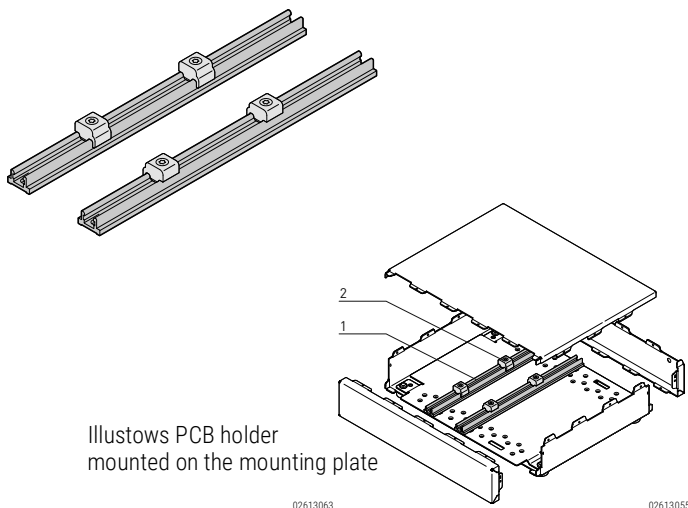
DELIVERY INCLUDES

Item	Qty	Description
1	1	Mounting plate, St, 1 mm, AlZn coated
2a	4	Desktop cases: Plastic foot, PC, UL 94 V-0, black
2b	4	19" case (width 444 mm): Countersunk screw
3	1	Assembly kit and user manual

ORDER INFORMATION

For case width		For case depth		Part no.
mm	mm	mm	mm	
133	133	124.33	128.55	24822-033
133	177	124.33	173.00	24822-034
221	177	213.23	173.00	24822-054
221	221	213.23	217.45	24822-055
310	221	302.13	217.45	24822-075
399	221	391.03	217.45	24822-095
399	310	391.03	306.35	24822-097
444	221	435.48	217.45	24822-005
444	310	435.48	306.35	24822-007

PCB SUPPORT FOR MOUNTING PLATE



Illustrates PCB holder mounted on the mounting plate

02613063

02613055

- Board support is bolted onto mounting plate
- PCB (board thickness 1.4 ... 2.6 mm) can be positioned flexibly

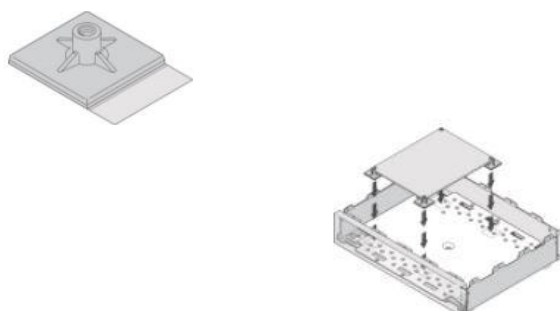
DELIVERY INCLUDES

Item	Qty	Description
1	2	PCB fastening, Al extrusion, clear anodized, width 13.5 mm, height 8.7 mm, for length see Order Information
2	4	PCB support, Al diecast, clear anodized, for board thickness from 1.4 ... 2.6 mm
3	1	Assembly kit and user manual

ORDER INFORMATION

For case depth	PCB support for mounting plate Length mm	Part no.
mm	mm	
133	128.55	24827-023
177	173.00	24827-024
221	217.45	24827-025

PCB ADHESIVE STUD FOR BOARD MOUNTING



- For quickly fixing e.g. PCBs or smaller components
- Self-adhesive base acts as spacer

DELIVERY INCLUDES

Item	Qty	Description
1	10	Adhesive base 19 x 19mm
2	1	Assembly kit and user manual

ORDER INFORMATION

PCB Adhesive studs for board mounting Height mm	Part no.
5.0	24827-005
7.0	24827-007
9.0	24827-009

Small Form Factor Cases – Interscale

FAN MOUNT WITH FANS, 80 MM HEIGHT



1 fan

02617001

2 fans

02617002

- Fan mount for installation in the Interscale

DELIVERY INCLUDES (assembled)

Item	Qty.	Description
1a	1	Fan mount (1 fan), height 83 mm, width 83 mm
1b	1	Fan mount (2 fans), height 83 mm, width 165 mm
2a	1	Fan, 80 mm height, 80 mm width, 25.4 mm depth
2b	2	Fan, 80 mm height, 80 mm width, 25.4 mm depth
3	1	Mounting material 4 x M3x6 countersunk screw
4	1	Fan attachment (with cord)

ORDER INFORMATION

Description	Qty/PU piece	Qty	Part no.
1 fan	1	PU 1 kit	24830-101
2 fans	1	PU 1 kit	24830-102

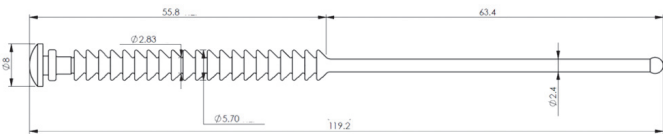
TECHNICAL DATA of one fan

Voltage [VDC]	12
Dimensions H x W x D (mm)	80 x 80 x 25.4
Air capacity (free blowing) [m ³ /h]	109.44
Noise level [dB (A)]	44.62
Max. stat. pressure [Pa]	95.41
Max. ambient temperatures [°C]	70

FAN MOUNTING (SPARE PART)



02621001



12421051

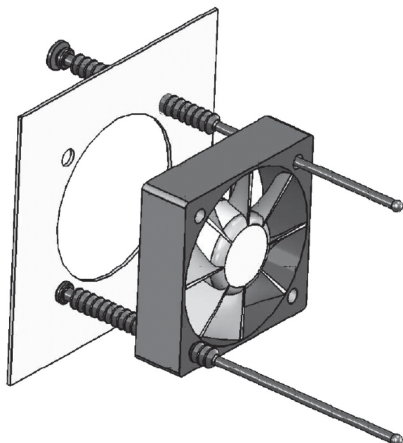
- Fan mounting for vibration-damping mounting of fans in housing

LIEFERUMFANG

Pos.	Menge	Beschreibung
1	100	Fan fastening with rubber dowel, length 119.2 mm

BESTELLINFORMATIONEN

Beschreibung	Bestell-Nr.
Fan mounting	20713-979



12421050

Small Form Factor Cases – Interscale

INTERSCALEFOR EMBEDDED NUC



02615019

- Perforated side panels for passive cooling (convection)
- Compliant with the SDT.03 embeddedNUC standard <http://www.sget.org/standards.html>
- Modular case consisting of 3 easy to assemble parts; body, top cover and front panel
- Rigid construction requires only two screws
- Board mounting studs installed
- Integrated EMC protection
- Color RAL 7016
- Max. heat dissipation without fan about 8 Watt
- Cutouts specific for IES (<http://en.ies.de/>) MB95 embedded NUC board
- Other dimensions, cutout shapes or locations and screen printing available



DELIVERY INCLUDES (assembled)

Item	Qty	Description
1	1	Base with 2 side panels (perforated) and rear panel, Al, 1 mm, RAL 7016 (anthracite gray)
2	1	Top cover, Al, 1 mm, RAL 7016
3	1	Front panel, Al, 1 mm, RAL 7016
4	4	Pre-installed studs with M2.5 Torx T8 screws for board mounting
5	1	User manual

ORDER INFORMATION

Height mm	Width mm	Depth mm	Part no.
34.00	112.00	106.50	14820-701

Accessories

Horizontal rail mounting bracket	Page 5.131
Wall or Desktop mounting bracket	Page 5.132
Rubber feet	Page 5.131
Assembly tool	Page 5.132
Screwdriver	Page 5.133

NOTE

- Only the listed Interscale accessories are compatible

Small Form Factor Cases – Interscale

INTERSCALE FOR EMBEDDED NUC, CONDUCTION COOLED



Application: Case with connectors

02615021



Application: Case with connectors

02615009

- Integrated heat sink on top cover with 5 mm heat fins
- Compliant with the SDT.03 embedded NUC standard <http://www.sget.org/standards.html>
- Modular case consisting of 3 easy to assemble parts; body, top cover and front panel
- Rigid construction requires only two screws
- Board mounting studs installed
- Integrated EMC protection
- Color RAL 7016
- Cutouts specific for IES (<http://en.ies.de/>) MB95 embedded NUC board
- Other dimensions, cutout shapes or locations, and screen printing available



DELIVERY INCLUDES (assembled)

Item	Qty	Description
1	1	Base with 2 side panels and rear panel, Al, 1 mm, RAL 7016 (anthracite gray)
2	1	Top cover with integrated heat sink, Al, 1 mm, RAL 7016
3	1	Front panel, Al, 1 mm, RAL 7016
4	4	Pre-installed M2.5 studs with Torx T8 screws for board mounting
5	1	User manual

ORDER INFORMATION

Height mm	Width mm	Depth mm	Part no.
43.65	112.00	106.50	14830-002

Accessories

Flexible Heat Conductor (FHC), 20 mm	Page 5.130
Aesthetic Design Elements	Page 5.127
Rubber feet	Page 5.131
Assembly tool	Page 5.132
Screwdriver	Page 5.133

NOTE

- Only the listed Interscale accessories are compatible

Small Form Factor Cases – Interscale

INTERSCALE FOR MINI-ITX, CONDUCTION COOLED



Application: Case with connectors

02615011



Application: Case with connectors

02615010

- Integrated heat sink on top cover with 10 mm or 20 mm heat fins
- Modular case consisting of 3 easy to assemble parts; body, top cover and front panel
- Rigid construction requires only four screws
- Board mounting studs installed
- Integrated EMC protection
- Color RAL 7016
- Cutout for Mini ITX I/O panel, power connector (Phoenix Contact, 0710028) and power switch (Schurter, MCS 18 Front)
- Other dimensions, cutout shapes or locations, and screen printing available

DELIVERY INCLUDES (assembled)

Item	Qty	Description
1	1	Base with 2 side panels and rear panel, Al, 1 mm, RAL 7016 (anthracite gray)
2	1	Top cover with integrated heat sink, Al, 1 mm, RAL 7016
3	1	Front panel, Al, 1 mm, RAL 7016
4	4	Pre-installed M2.5 studs with Torx T8 screws for board mounting
5	1	User manual

ORDER INFORMATION

Height mm	Width mm	Depth mm	With 10 mm fins Part no.	With 20 mm fins Part no.
94.00	184.00	189.00	14830-005	14830-006

Accessories

Flexible Heat Conductor (FHC), 70 mm	Page 5.130
Aesthetic Design Elements	Page 5.127
Horizontal rail mounting bracket	Page 5.131
Wall or Desktop mounting bracket	Page 5.132
Plastic tip-up feet	Page 5.132
Rubber feet	Page 5.131
Assembly tool	Page 5.132
Screwdriver	Page 5.133

NOTE

- Only the listed Interscale accessories are compatible

Small Form Factor Cases – Interscale

FLEXIBLE HEAT CONDUCTOR (FHC), 20 MM



02615016

- Patent pending conduction cooling solution for small form factor electronics
- Conductor block expands/contracts vertically to compensate for tolerance stack up and optimizes surface contact and pressure along the thermal path; eliminates the need for a thermal gap pad
- Provides industry leading conduction cooling performance, 10 % improvement over current conduction cooling methods
- Designed for Intel, AMD, Via, Freescale, NVidia and Texas Instrument processors that employ a BGA socket
- Secured to PCB with thermally conductive adhesive tape
- Compatible with Interscale C enclosures

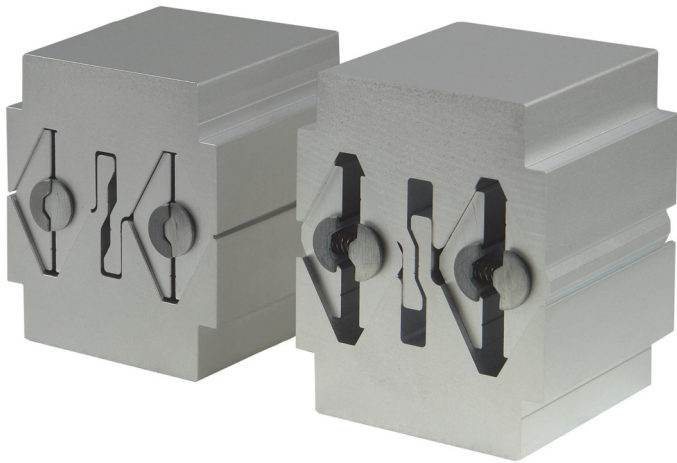
DELIVERY INCLUDES (assembled)

Item	Qty	Description
1	1	Flexible heat conductor, assembled; thermal grease included
2	1	Adhesive tape, thermally conductive

ORDER INFORMATION

Height	Width	Depth	Part no.
19.75 ± 1.5 mm	22 mm	22 mm	24830-005

FLEXIBLE HEAT CONDUCTOR (FHC), 70 MM



02615017

- Patent pending conduction cooling solution for small form factor electronics
- Conductor block expands/contracts vertically to compensate for tolerance stack up, and optimizes surface contact and pressure along the thermal path; eliminates the need for a thermal gap pad
- Provides industry leading conduction cooling performance, 70 % improvement over current conduction cooling methods
- Designed for ATX/ITX/Mini ITX & COM using Intel core-i processors and AMD processors with the following sockets: Intel: LGA775, LGA1150, LGA1155, LGA1156, LGA1366, LGA2011
AMD: AM2, AM2(+), AM3, AM3(+), FM1, FM2, FM2(+)
- Secured to PCB with mounting brackets, sold separately
- Compatible with Interscale C enclosures

Item	Qty	Description
1	1	Flexible heat conductor, assembled; thermal grease included
2	1	Frame, Al

ORDER INFORMATION

Height	Width	Depth	Part no.
68.50 ± 2.5 mm	50 mm	50 mm	24830-001

Accessories

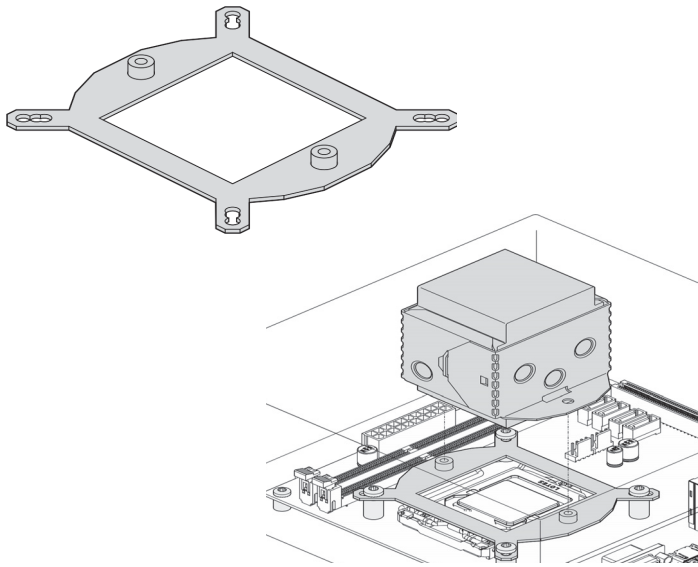
Intel mounting brackets for 70 mm FHC	24830-002
AMD mounting brackets for 70 mm FHC	24830-003

NOTE

- Please order the mounting bracket (Intel or AMD, listed under accessories) to assemble the FHC to the board

Small Form Factor Cases – Interscale

MOUNTING BRACKETS FOR 70 MM FHC



Bracket for Intel

02615053

Application: Intel mounting bracket

02615054

- Designed to secure the 70 mm Flexible Heat Conductor to PCB
- Utilizes keep out zones to not interfere with other board components
- Designed for ATX/ITX/Mini ITX & COM using Intel core-i processors and AMD processors with the following sockets: Intel: LGA775, LGA1150, LGA1155, LGA1156, LGA1366, LGA2011
AMD: AM2, AM2(+), AM3, AM3(+), FM1, FM2, FM2(+)

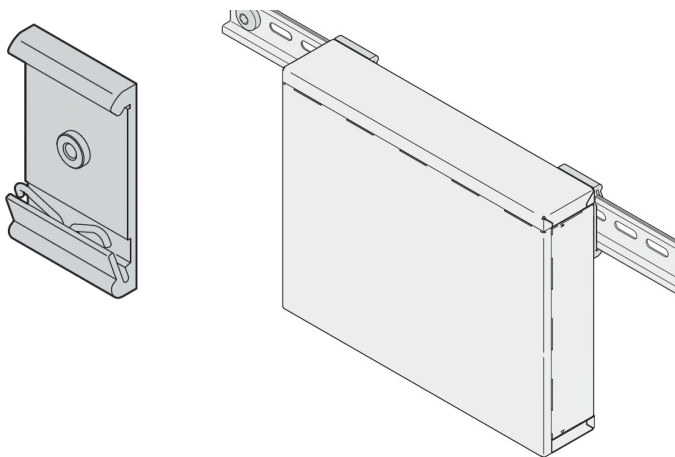
DELIVERY INCLUDES (assembled)

Item	Qty	Description
1	1	Mounting bracket with associated hardware

ORDER INFORMATION

Description	Part no.
Intel mounting brackets for 70 mm FHC	24830-002
AMD mounting brackets for 70 mm FHC	24830-003

CLIP FOR HORIZONTAL RAIL MOUNTING



02613069

Example: Clip for horizontal rail mounted on case

02613070

- The clip can be used to fix the case to a horizontal rail
- The clip is bolted to the case instead of the feet and can then be fitted onto the rail

DELIVERY INCLUDES

Item	Qty	Description
1	2	Clip, Al profile, clear anodized, width 30 mm, 52 mm, snap mounting for 35 mm DIN rails EN 50022; M4 self-clinching nut
2	2	Screw, T20, M4 x 6
3	1	User manual

ORDER INFORMATION

Description	Qty/PU piece	Part no.
Clip for horizontal rail mounting	2	24820-002

NOTE

- Not compatible with embedded NUC cases or Interscale 19" cases

RUBBER FEET



02615020

- Toolless installation; secures via adhesive
- Compatible with all Interscale cases

DELIVERY INCLUDES (assembled)

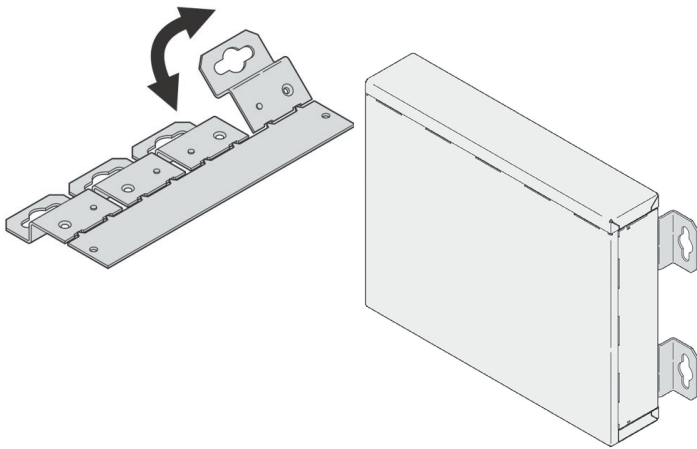
Item	Qty	Description
1	4	Rubber feet, height 2.2 mm, Ø 7.9 mm

ORDER INFORMATION

Description	Part no.
Rubber feet	21102-025

Small Form Factor Cases – Interscale

WALL OR DESKTOP MOUNTING BRACKET



02615052 Example: Mounting bracket mounted on the case 02615051

- Bracket for wall or desktop mounting
- Provides 14 mm clearance from mounting surface for cable management
- Able to assemble / disassemble case while mounted

DELIVERY INCLUDES

Item	Qty	Description
1	4	Mounting bracket, St, 1.5 mm, finish AlZn

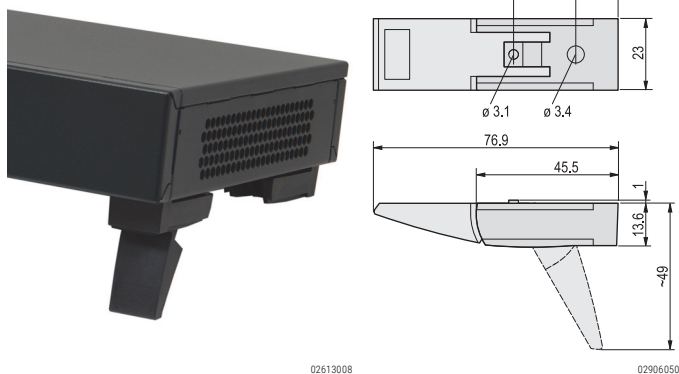
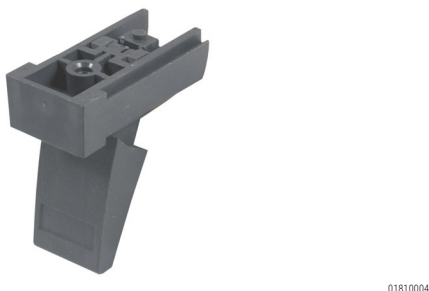
ORDER INFORMATION

Description	Qty/PU piece	Part no.
Wall or Desktop mounting bracket	4	24820-005

NOTE

- Not compatible with embedded NUC cases or Interscale 19" cases

PLASTIC TIP-UP FEET



Application example 02613008

- Can be used instead of standard feet
- Carrying capacity: 25 kg per foot
- Mounting holes in bottom of casing

DELIVERY INCLUDES (kit)

Item	Qty	Description
1	4	Foot, PA, UL 94 V-0
2	4	Anti-slip protection, TPE
3	2	Tip-up device, PA, UL 94 V-0
4	1	Assembly kit

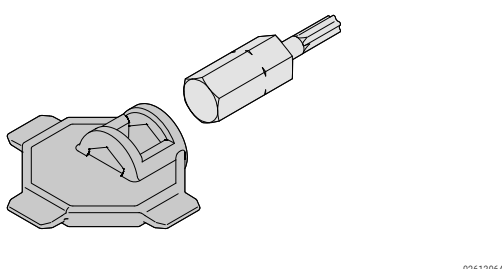
ORDER INFORMATION

Description	Qty/PU piece	Part no.
Tip-up feet, anthracite, similar to RAL 7016	4	20603-002

NOTE

- Not compatible with embedded NUC cases or Interscale 19" cases

ASSEMBLY TOOL



- Plastic tool with bit can be used for bolting together and opening the case
- Compatible with all Interscale M and C enclosures

DELIVERY INCLUDES

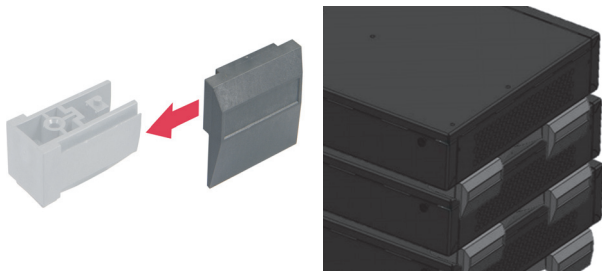
Item	Qty	Description
1	1	Assembly tool (plastic)
2	1	Bit, Torx, T10

ORDER INFORMATION

Description	Part no.
Assembly tool	24820-001

Small Form Factor Cases – Interscale

STACKING AID



01810005

Application example Interscale

02613020

- Stacking aid is clipped onto tip-up feet (please order tip-up feet separately)

DELIVERY INCLUDES (kit)

Item	Qty	Description
1	4	Stacking aid, PA,UL 94 V-0

ORDER INFORMATION

Description	Qty/PU piece	Part no.
Stacking aid, anthracite, similar to RAL 7016	4	20603-003

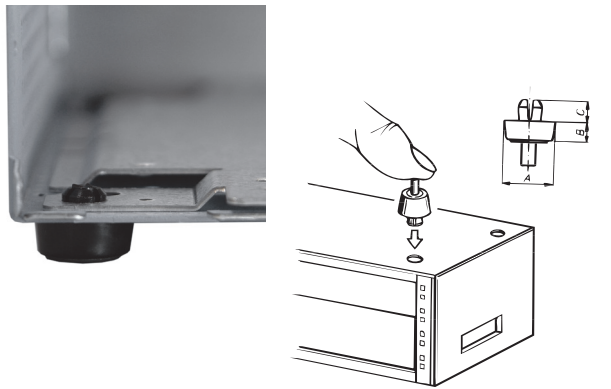
Accessories

Plastic tip-up feet anthracite, similar to RAL 7016, 4 pieces		20603-002
---	--	------------------

NOTE

- A plastic tip-up feet are required for mounting, please order separately
- Not compatible with Interscale 19" cases, Interscale for embedded NUC cases or Interscale conduction cooled cases

PLASTIC FEET



02613010

Illustration shows mounting of feet

A4-330

- Plastic feet with rubberized base
- Toolless installation; fixed by pressing in the expanding pin

DELIVERY INCLUDES

Item	Qty	Description
1	1	Plastic foot, PC, UL 94 V-0, black, with anti-slip protection

ORDER INFORMATION

Description	Qty	Part no.
Plastic feet	SPQ 50 ¹⁾	60224-009
Plastic feet	PU 4 ²⁾	24820-004

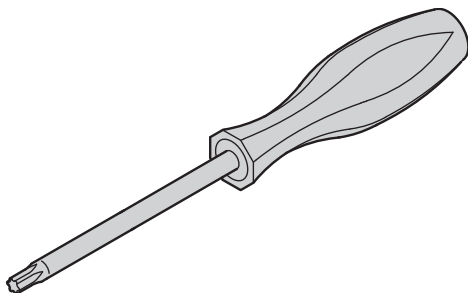
1) SPQ (standard pack quantity): Part number includes 1 piece, but delivery is exclusively made in standard pack quantity (SPQ); please order at least the SPQ quantity or a multiple

2) PU - Part no. includes one packing unit (PU); delivery is exclusively made in PU

NOTE

- Not compatible with Interscale 19" cases, Interscale for embedded NUC cases or Interscale conduction cooled cases

SCREWDRIVER



AZA45925

- Used for securing PCBs to studs
- Compatible with all Interscale M and Interscale C enclosures

ORDER INFORMATION

Description	Part no.
Torx screwdriver, M2.5, T 8 Torx	64560-026

North America

Warwick, RI, USA

Tel +1.401.738.1722

San Diego, CA, USA

Tel +1.858.740.2400

Europe, Middle East & India

Straubenhardt, Germany

Tel +49 7082 794 0

Betschdorf, France

Tel +33 3 88 90 64 90

Warsaw, Poland

Tel +48 22 209 98 35

Hemel Hempstead,

Great Britain

Tel +44 1442 24 04 71

Lainate, Italy

Tel +39 02 932 714 1

Dubai, United Arab Emirates

Tel +971 4 82 38 666

Bangalore, India

Tel +91 80 6715 8900

Istanbul, Turkey

Tel +90 541 368 0941

Asia Pacific

Shanghai, China

Tel +86 21 2412 6943

Singapore

Tel +65 6768 5800

Shin-Yokohama, Japan

Tel +81 45 476 0271

Our powerful portfolio of brands:

CADDY ERICO HOFFMAN RAYCHEM SCHROFF TRACER



[nVent.com/SCHROFF](https://www.nvent.com/SCHROFF)