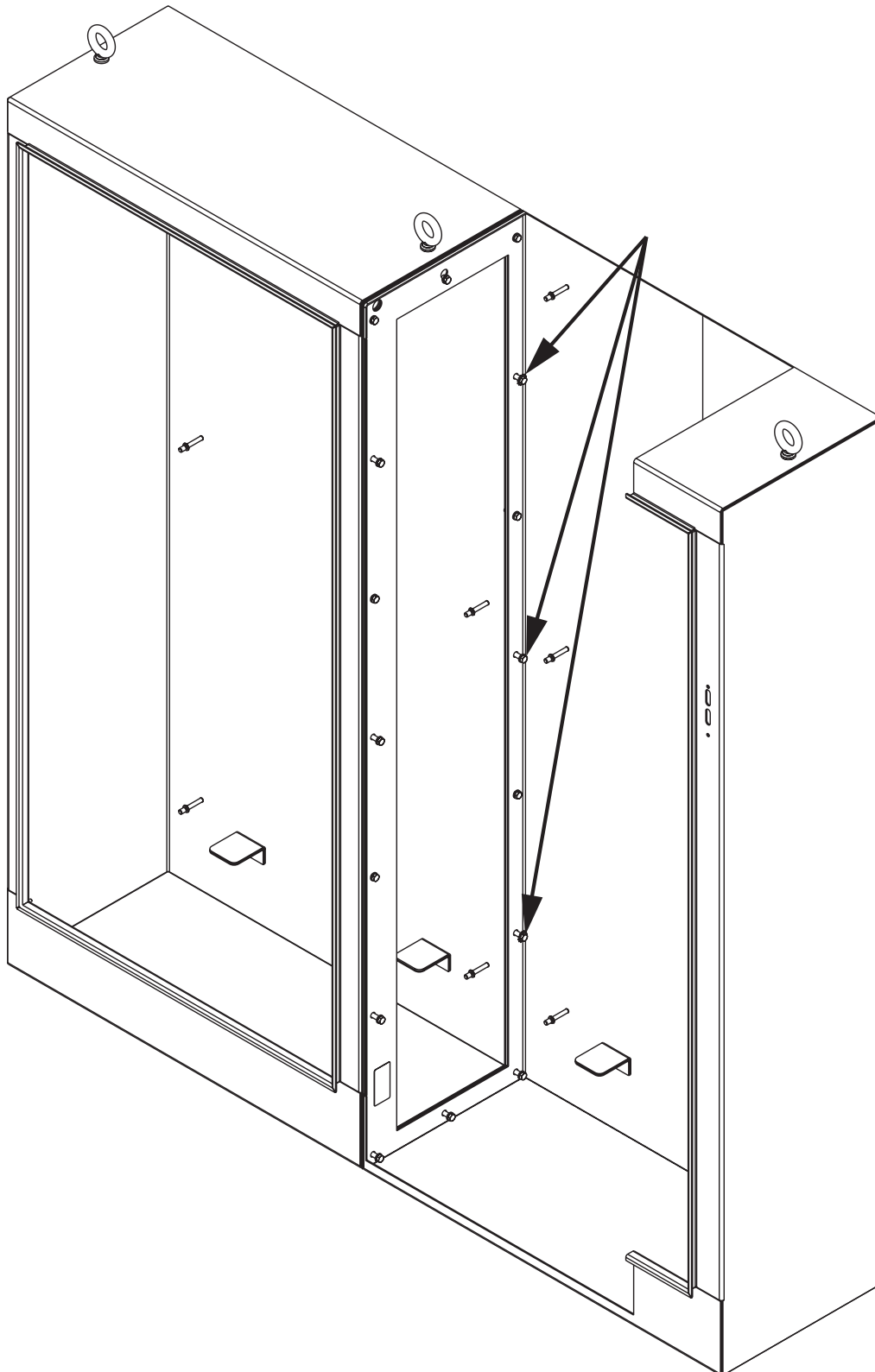
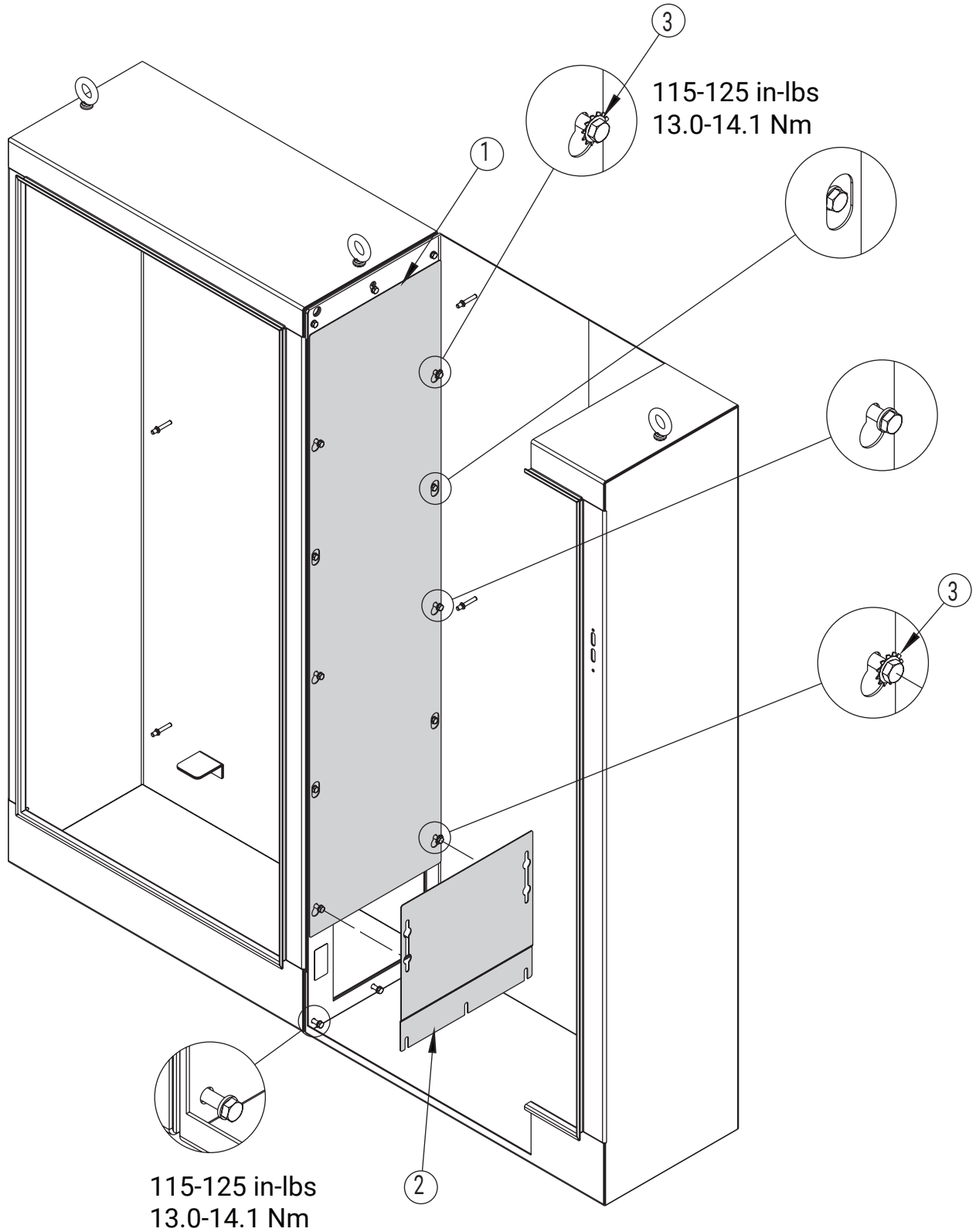
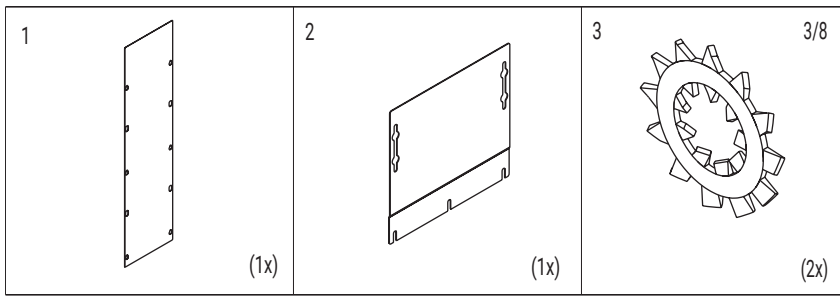


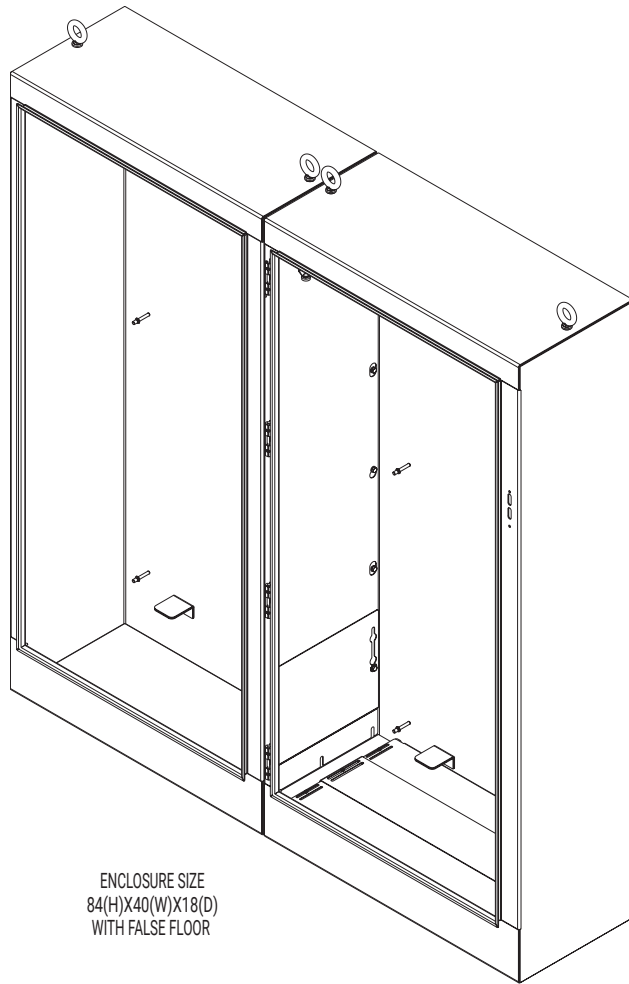
Universal Free-Stand Barrier Plate



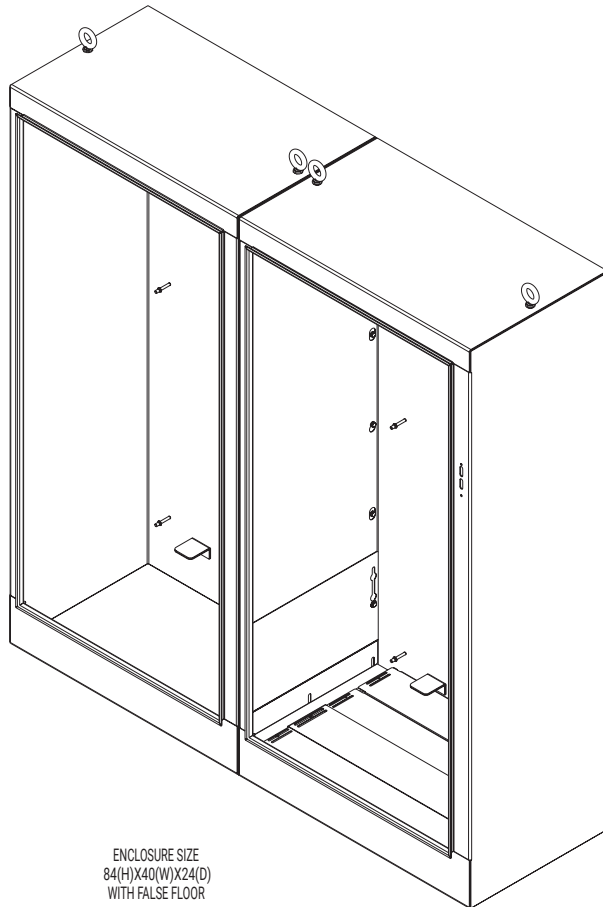
1. To install a barrier panel in an enclosure that has a false floor, use the bottom mounting hole.
2. To install the barrier plate having a false floor, install the barrier plate first.
3. Torque all bolts to 115-125 in-lbs (13.0-14.1 Nm)







ENCLOSURE SIZE
84(H)X40(W)X18(D)
WITH FALSE FLOOR



ENCLOSURE SIZE
84(H)X40(W)X24(D)
WITH FALSE FLOOR