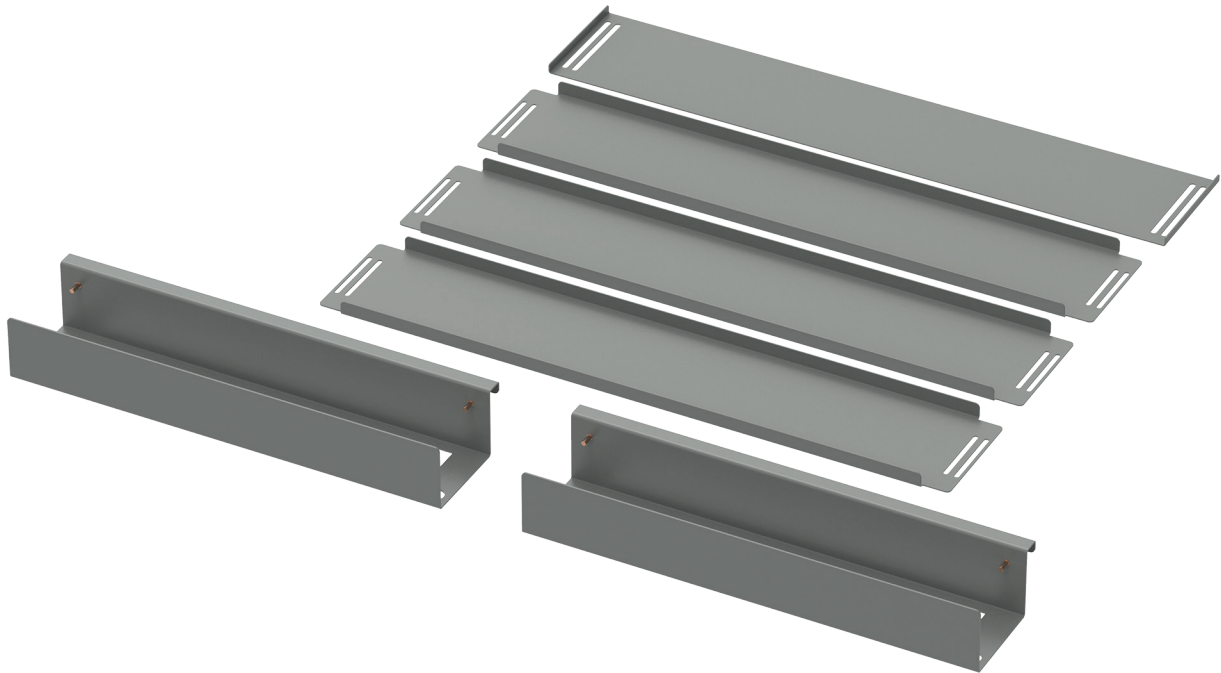
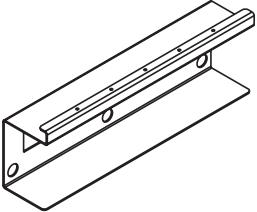
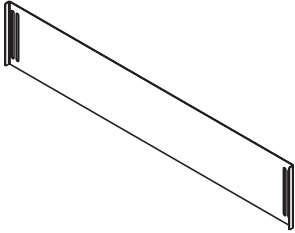
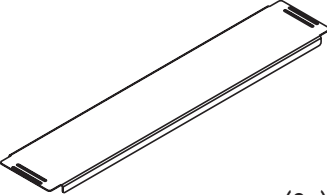
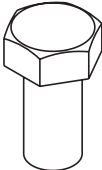
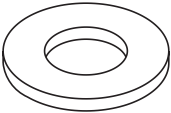
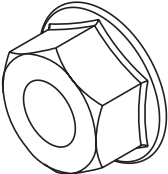
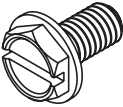
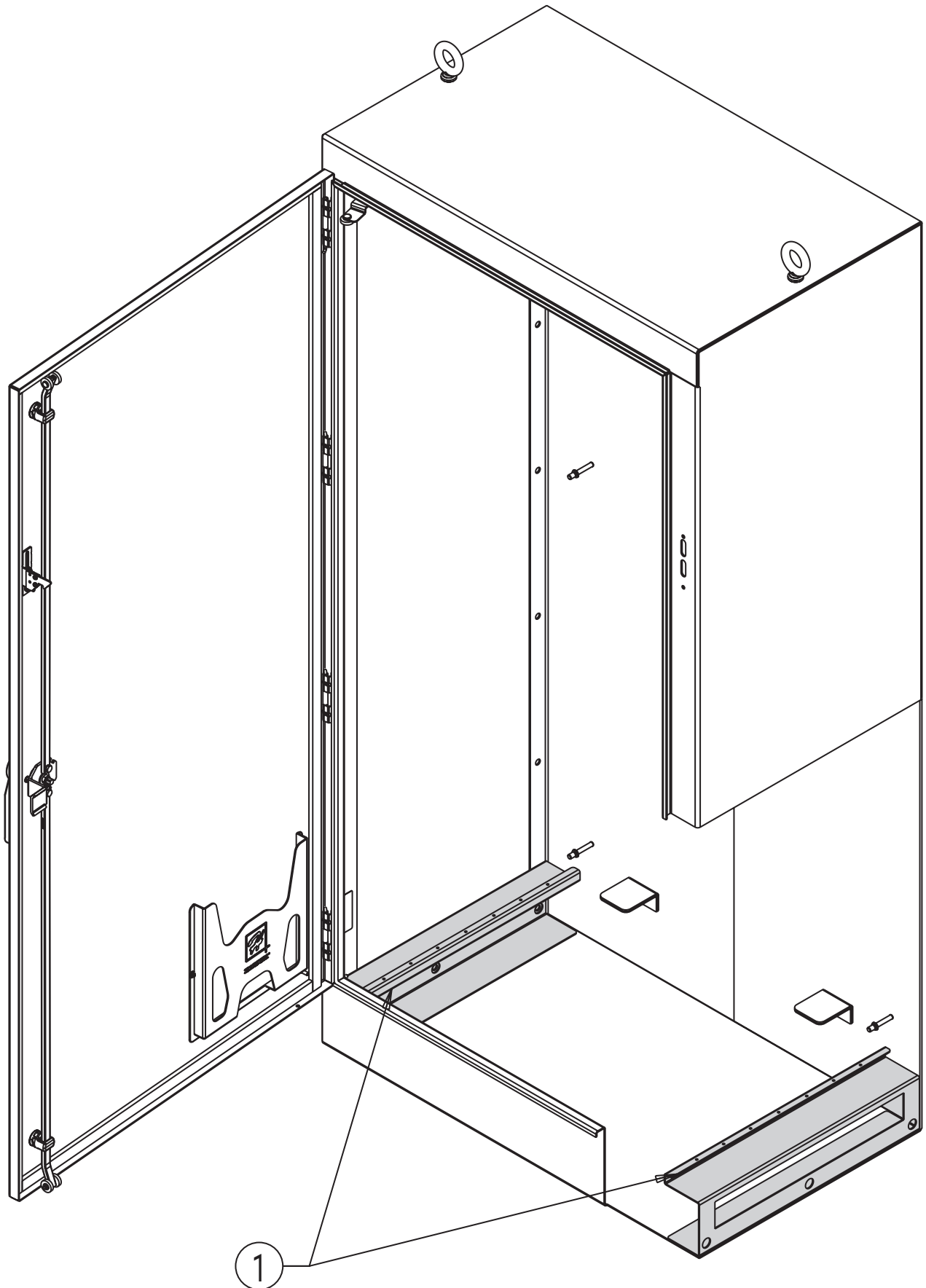


Universal Free-Stand Sliding False Floor

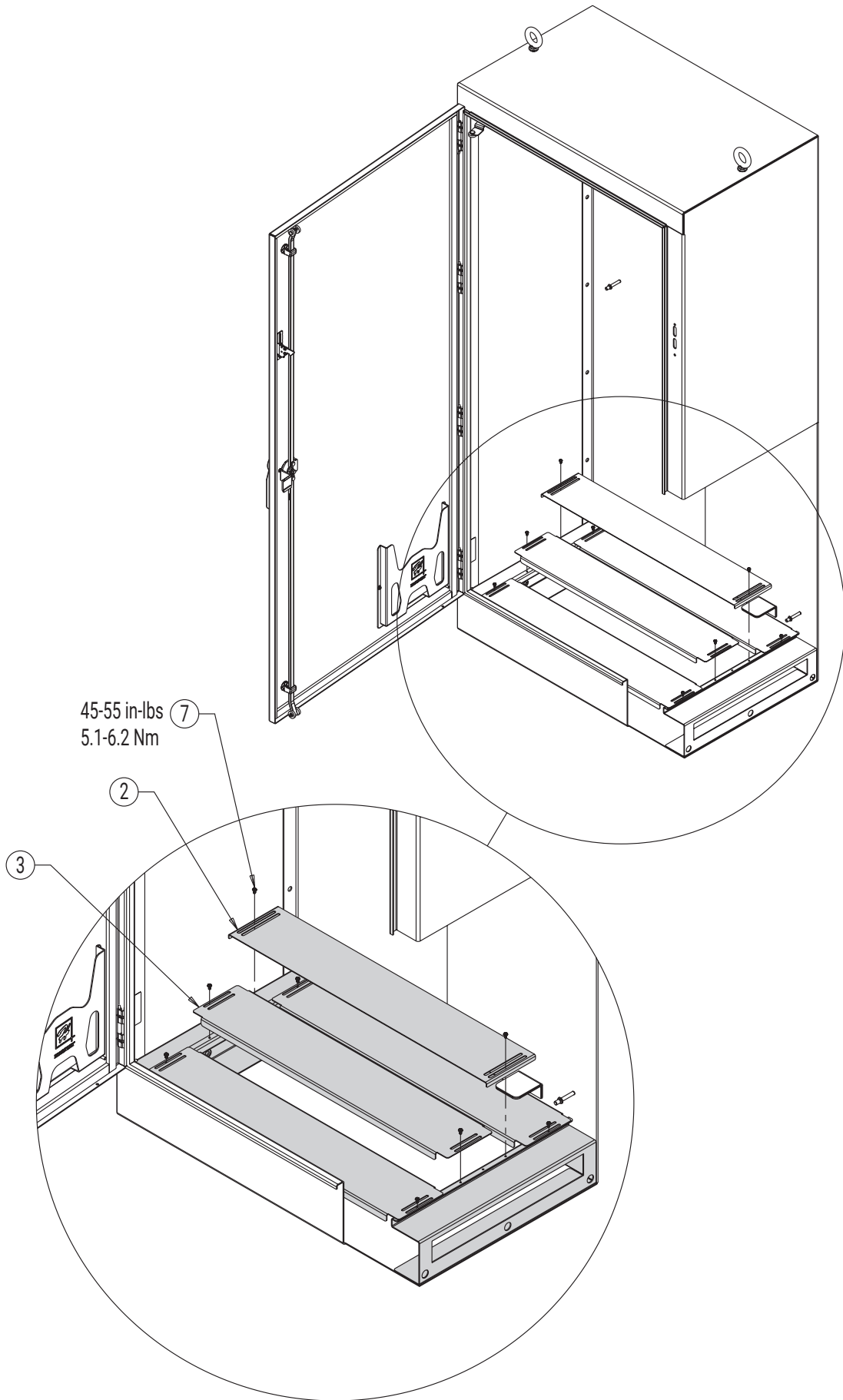


<p>1</p>  <p>(2x)</p>	<p>2</p>  <p>(1x)</p>
<p>3</p>  <p>(2x) (3x)</p>	<p>4</p> <p>3/8-16</p>  <p>(3x)</p>
<p>5</p>  <p>(6x)</p>	<p>6</p> <p>3/8-16</p>  <p>(3x)</p>
<p>7</p> <p>10-32</p>  <p>(6x) (8x)</p>	

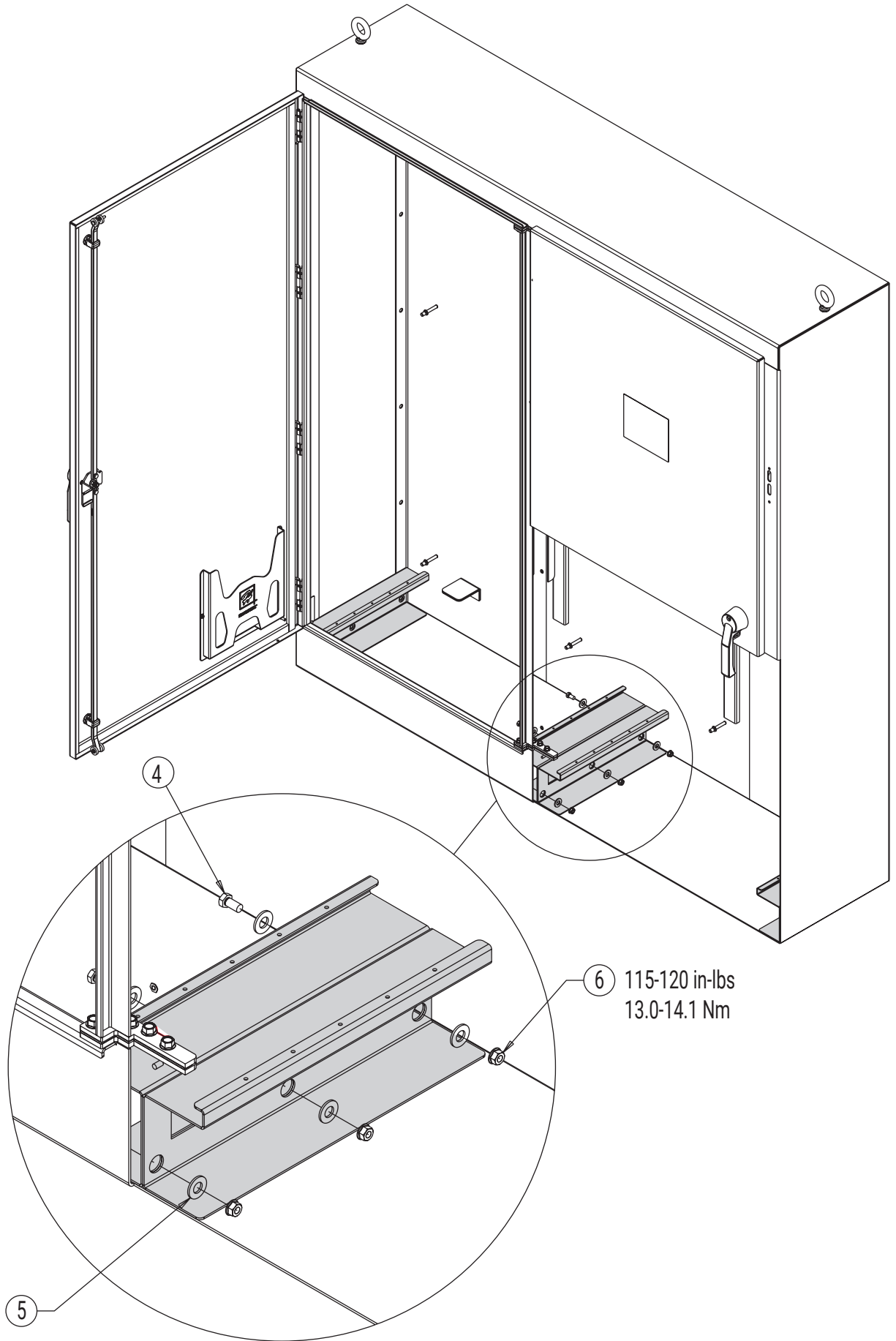
One Door



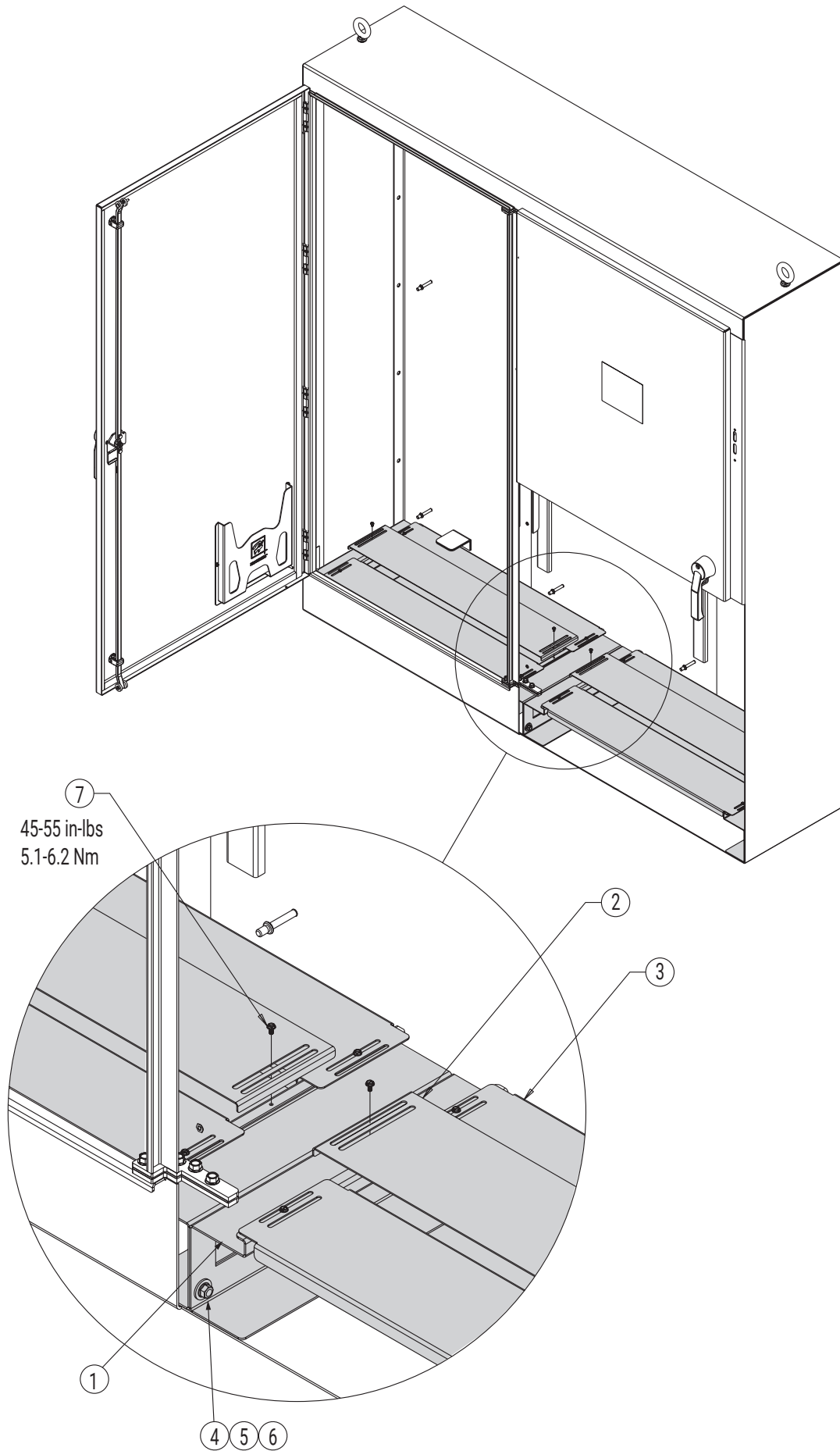
One Door



Two Door



Two Door



a

Notes

Notes