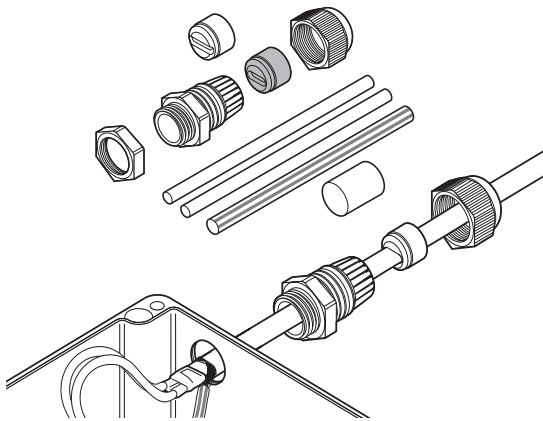


## Heat-shrink connection kit

### PRODUCT OVERVIEW



This connection kit is designed for terminating all nVent RAYCHEM BTV, QTVR, XTV, KTV and VPL industrial parallel heating cables to a junction box, whilst maintaining electrical insulation of the heating cable conductors and core.

The sealing of the heating cable core is provided by nVent RAYCHEM heat-shrinkable sleeves. Two grommets supplied in this kit enable the gland to maintain optimum sealing under various ambient conditions.

An additional locknut is provided for unthreaded entries.

### Application

Connection kit for BTV, QTVR, XTV, KTV and VPL parallel heating cables

### Kit contents

- 1 gland
- 2 grommets
- 1 locknut
- 1 green/yellow tube, heat-shrinkable sleeves for core sealing
- 1 installation instruction (multilingual)

### PRODUCT SPECIFICATION

#### Technical details

Type	Heat-shrinkable
Thread size	M25 x 1.5
Min. ambient temperature	-55°C
Max. exposure temperature (gland)	110°C
IP ingress protection rating	IP66

## APPROVALS

The kit is certified as part of the system approval of the various heating cables.  
For use in ordinary and hazardous area Zone 1 and Zone 2 (Gas), Zone 21 and Zone 22 (Dust)

### Temperature classification

Temperature classification is defined by the complete system.

### Product certification



More details about product certification, approvals and conditions of safe use are available in the installation manual at [www.nVent.com/RAYCHEM](http://www.nVent.com/RAYCHEM).

## ORDERING INFORMATION

Part description	nVent RAYCHEM C25-21
PN (Weight)	311147-000 (0.06 kg)

### North America

Tel +1.800.545.6258  
Fax +1.800.527.5703  
[thermal.info@nVent.com](mailto:thermal.info@nVent.com)

### Europe, Middle East, Africa

Tel +32.16.213.502  
Fax +32.16.213.604  
[thermal.info@nVent.com](mailto:thermal.info@nVent.com)

### Asia Pacific

Tel +86.21.2412.1688  
Fax +86.21.5426.3167  
[cn.thermal.info@nVent.com](mailto:cn.thermal.info@nVent.com)

### Latin America

Tel +1.713.868.4800  
Fax +1.713.868.2333  
[thermal.info@nVent.com](mailto:thermal.info@nVent.com)



Our powerful portfolio of brands:

**CADDY ERICO HOFFMAN RAYCHEM SCHROFF TRACER**