

RACKPOWER INTELLIGENT POWER DISTRIBUTION UNITS



INDUSTRY STANDARDS

Test to UL File E309439 UL 60950-1 Information Technology Equipment
 Test to cUL File E309439 CSA-C22.2 No. 60950-1 Information Technology Equipment
 FCC
 CE
 RoHS
 REACH

APPLICATION

RackPower Intelligent Power Distribution Units address controlling power on Cabinets as well as Open Frame Racks and Wall-Mount enclosures. Design your power solution using a variety of configuration options. The units are available in horizontal 19-in. rack or vertical mounting capabilities and a broad range of features.

FEATURES

- Single or multi-phase
- Input voltages North American 110 / 120 VAC or 208 VAC, European and Asia 230 VAC or 400 VAC
- Global plug and receptacles NEMA and IEC rated
- 5 Configuration types: RP3000, RP2000, RP1500, RP1000, RP100
- External communications and monitoring – protected and secure LAN connections
- Local and remote power monitoring of single outlets and circuits showing data for current (AMP), voltage (Volt), power (kW), energy consumption (kWh) and power factor of entire PDU with a metering accuracy to within +/- 1%
- Remote power on/off switch
- Field replaceable, “hot-swappable”, smart monitor (RP Meter) and DC module
- 19-in. Rack Mounting (1 and 2 RU offering)
- Versatile vertical / rack and cabinet mounting
- Surge protection
- Dual power feed entry for single phase RackPower PDUs
- Temperature Sensor or Temperature and Humidity Sensor
- Power cord whip – various lengths, colors and plugs

SPECIFICATIONS

- Steel housing
- Various cord length and plug styles available; also available in LSZH (low smoke zero halogen)
- Mounting hardware

FINISH

Standard is black, other finishes available

ORDERING

If the portfolio of pre-configured items does not meet your needs, all iPDU's can be configured to your specifications as a custom order. Contact Customer Service to place an order.

To configure a custom PDU, go to https://configurator.schroff.biz/PDU_Webapp/

BULLETIN: DPY

RackPower Series Configuration Sets

Features	RP3000	RP2000	RP1500	RP1000	RP100
Outlet measurement	X		X		
Outlet Switch ON/OFF	X	X			
Latching Relay	X	X			
SNMP hardware	X	X	X	X	
Strip level measurement	X	X	X	X	X

Standard Product **110 V Units**

Catalog Number	RackPower Series	Load Rating (Amp)	Voltage VAC	Receptacle Quantity	Receptacle Style	Power Cord Plug	Mounting Style	Length in./mm	Width in./mm	Height in./mm
RPP110R20AP110	Basic	20	110	10	NEMA 5-20R	L5-20P plug	Horizontal	5 120	17 437.5	2 44.5
RPP110R30AP110	Basic	30	110	10	NEMA 5-20R	L5-30P plug	Horizontal	5 120	17 437.5	2 44.5
RPP110P20AP124	Basic	20	110	24	NEMA 5-20R	L5-20P plug	Vertical	43 1100	2 54	3 80
RPP110P30AP124	Basic	30	110	24	NEMA 5-20R	L5-30P plug	Vertical	43 1100	2 54	3 80
RP20110P20AP124	RP2000	20	110	24	NEMA 5-20R	L5-20P plug	Vertical	53 1350	2 54	3 80
RP20110P30AP124	RP2000	30	110	24	NEMA 5-20R	L5-30P plug	Vertical	53 1350	2 54	3 80
RP10110P20AP124	RP1000	20	110	24	NEMA 5-20R	L5-20P plug	Vertical	53 1350	2 54	3 80
RP10110P30AP124	RP1000	30	110	24	NEMA 5-20R	L5-30P plug	Vertical	53 1350	2 54	3 80

Standard Product **208V Units**

Catalog Number	RackPower Series	Load Rating (Amp)	Voltage VAC	Receptacle Quantity	Receptacle Style	Power Cord Plug	Mounting Style	Length in./mm	Width in./mm	Height in./mm
RPP208R30AP110	Basic	30	208	10	C13	L6-30P plug	Horizontal	5 120	17 437.5	2 54
RPP208R20AP112	Basic	20	208	12	C13	L6-20P plug	Horizontal	5 120	17 437.5	2 54
RPP208R20AP114	Basic	20	208	14	12x C13, 2x C19	L6-20P plug	Horizontal	19 478	1.75 45	5 120
RPP208P20AP124	Basic	20	208	24	20x C13, 4x C19	L6-20P plug	Vertical	43 1100	2 54	3 80
RPP208P30AP124	Basic	30	208	24	20x C13, 4x C19	L6-30P plug	Vertical	43 1100	2 54	3 80
RP10208P30AP142	RP1000	30	208	42	36x C13, 6x C19	L6-30P plug	Vertical	68 1725	2 54	3 80
RP10208P30AP136B	RP1000	30	208	36	30x C13, 6x C19	L6-30P plug	Vertical	68 1725	2 54	3 80
RP10208H30AP112B	RP1000	30	208	12	12x C13	L6-30P plug	Vertical	5 120	17 437.5	2 54
RP15208P30AP124	RP1500	30	208	24	21x C13, 3x C19	L6-30P plug	Vertical	53 1350	2 54	3 80
RP20P208P20AP124	RP2000	20	208	24	21x C13, 3x C19	L6-30P plug	Vertical	53 1350	2 54	3 80
RP20P208P30AP124	RP2000	30	208	24	21x C13, 3x C19	L6-20P plug	Vertical	53 1350	2 54	3 80
RP30208P20AP124	RP3000	20	208	24	21x C13, 3x C19	L6-20P plug	Vertical	53 1350	2 54	3 80

Standard Product **Multiphase 208V Units**

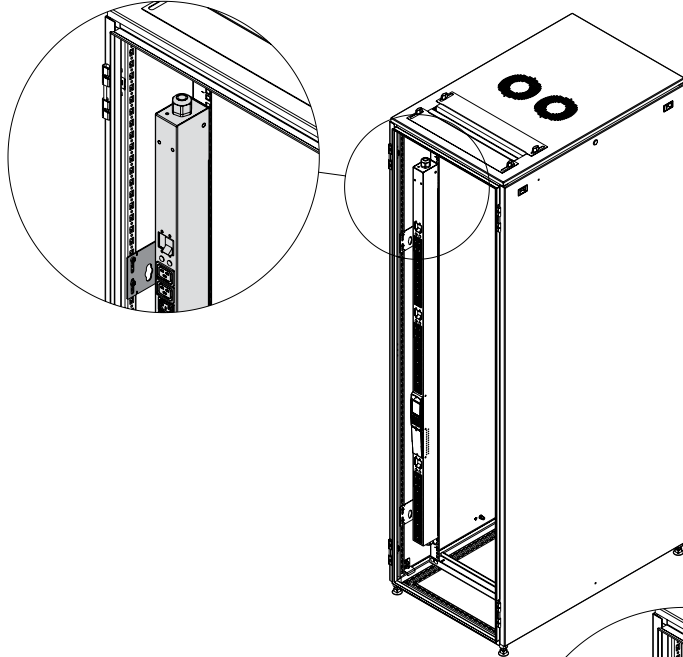
Catalog Number	RackPower Series	Load Rating (Amp)	Voltage VAC	Receptacle Quantity	Receptacle Style	Power Cord Plug	Mounting Style	Length in./mm	Width in./mm	Height in./mm
RP10208P50AP342	RP1000	50	208	42	36x C13, 6x C19	CS8365C	Vertical	71 1800	3 80	4 90
RP10208P30AP327B	RP1000	30	208	27	21x C13, 6x C19	L21-30P	Vertical	67 1700	2 54	3 80
RP10208P60AP318B	RP1000	60	208	18	6x C13, 12x C19	IEC 60309 60A, 3P+E 9h Blue Plug	Vertical	67 1700	2.4 60	3.5 90
RP10208P30AP342B	RP1000	30	208	42	36xC13, 6x C19	L21-30P	Vertical	68 1725	2 54	3 80
RP10208P60AP342B	RP1000	60	208	42	36xC13, 6x C19	IEC 60309 60A, 3P+E 9h Blue Plug	Vertical	71 1800	3 80	4 102
RP15208P30AP324	RP1500	30	208	24	21x C13, 3x C19	L2130P	Vertical	67 1700	2 54	3 80
RP20P208P20AP324	RP2000	20	208	24	21x C13, 3x C19	L2120P	Vertical	69 1750	2 54	3 80
RP20P208P30AP324	RP2000	30	208	24	21x C13, 3x C19	L2130P	Vertical	67 1700	2 54	3 80
RP30208P20AP324	RP3000	20	208	24	21x C13,3x C19	L6-20P	Vertical	67 1700	2 54	3 80
RP30208P30AP324	RP3000	30	208	24	21x C13,3x C19	L2130P	Vertical	67 1700	2 54	3 80

PDU COMPONENT APPLICATION

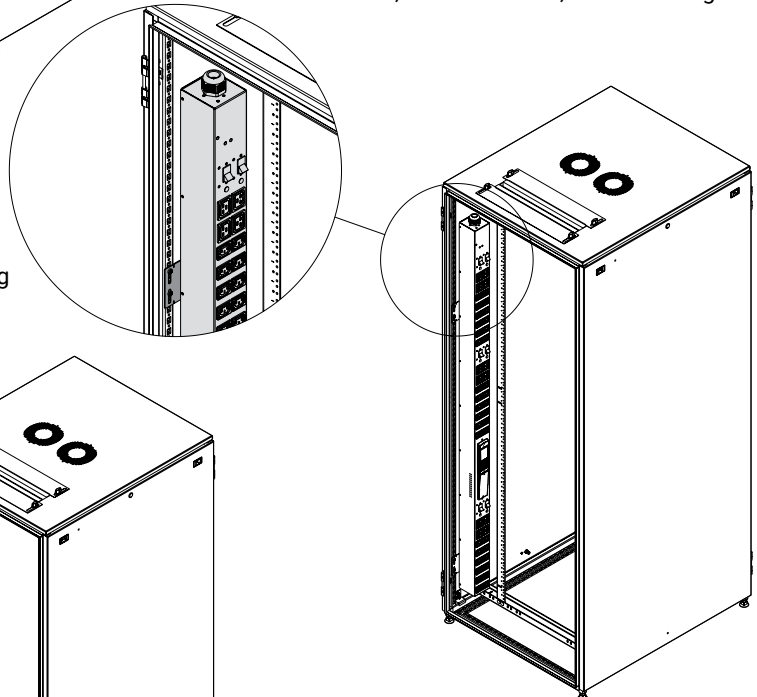
Remote sensors and displays, environmental monitors and smoke alarms help to build a system that fits the unique requirements of each individual installation.

PDU Mounting Configurations

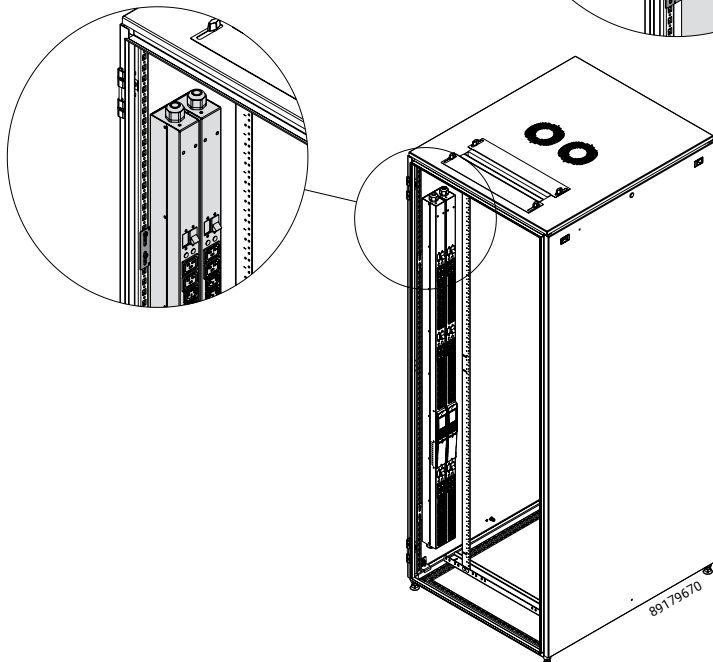
Frame Mount, Single PDU, Rear Facing



Frame Mount, Dual Feed PDU, Inward Facing

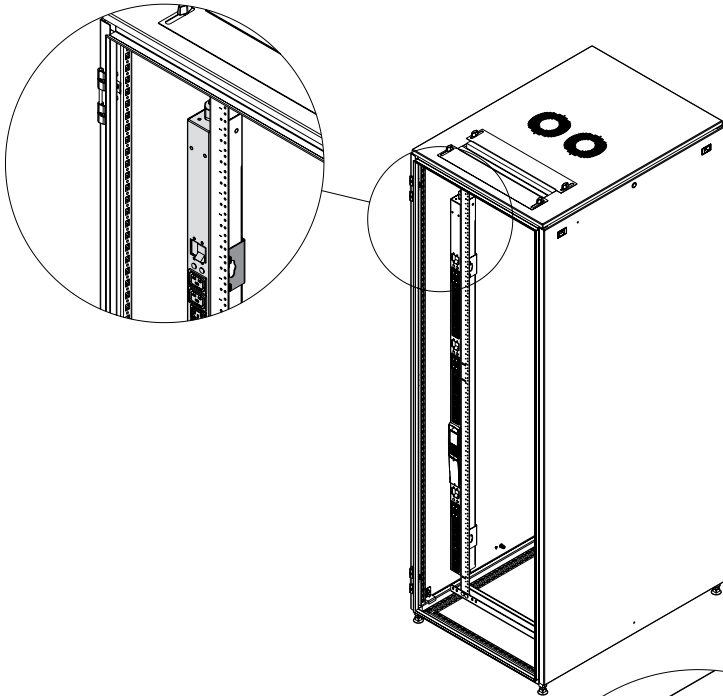


Frame Mount, Single or Dual PDUs, Inward Facing

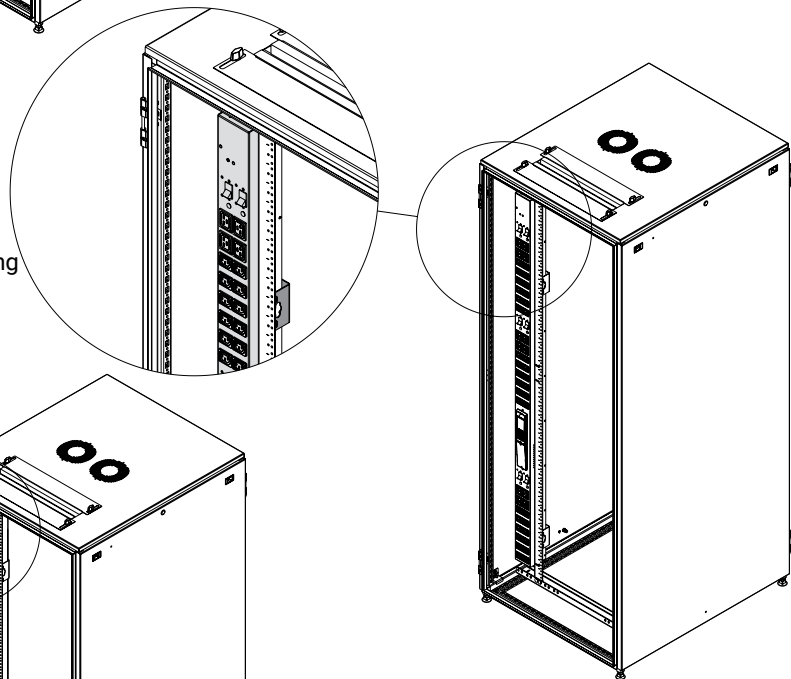


PDU Mounting Configurations

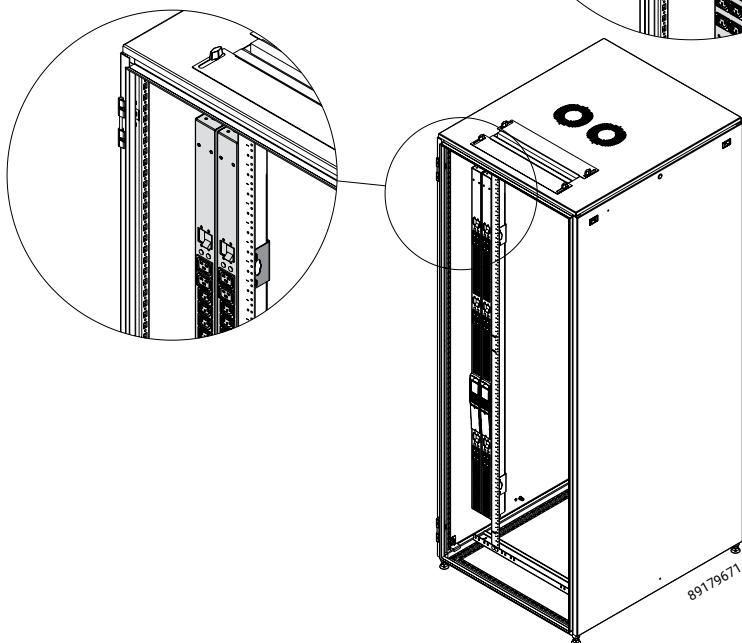
Flush Rack Angle Mount, Single PDU, Rear Facing



Flush Rack Angle Mount, Dual Feed PDU, Rear Facing



Flush Rack Angle Mount, Dual PDUs, Rear Facing



RACKPOWER IP GATEWAY



APPLICATION

RackPower IP Gateway is used for vertical and horizontal PDUs. It has a patented design that is hot pluggable for easy integration. It allows IP remote access to the PDUs by a single network IP. One IP Gateway supports a maximum of 32 PDUs in a daisy chain. Highly cost effective method to access the intelligent PDUs. SNMP capability v2 / v3. IP Gateway provides IP remote access to the PDUs by a single network IP address chain. RPM-04 - RackPower Management Software available with purchase of IP Gateway.

FEATURES

- Vertical Gateway provides Dual LAN failover, auto-negotiable 10/100 BaseT Ethernet and Gigabit Ethernet standard
- USB WiFi port for integration with additional wireless connection kit
- Hot pluggable for easy integration
- Available for both Vertical and Horizontal PDUs
- Allows IP remote access to the PDUs by a single network IP
- One IP Gateway supports a maximum of 32 PDUs in a daisy chain
- Highly cost effective method to access the intelligent PDUs
- SNMP capability v2 / v3
- Manage your PDUs through our free RPM-04 software or through a 3rd Party DCIM via SNMP
- RPM-04 software available as a free download after purchase

BULLETIN: DPDU

RackPower IP Gateway

Catalog Number	Description
NPDH	IP Gateway for 1U iPDU
NPDV03	IP Gateway for 0U or 2U iPDU
NPDV03WK	IP Gateway WiFi kit used with NPDV03

RACKPOWER TEMPERATURE AND HUMIDITY SENSORS



APPLICATION

External sensors have low profile design with magnetic base for easy affixing to the cabinet. Pair of sensors can be connected to one single PDU meter of the RP3000, RP2000, RP1500 and RP1000 series. Plug and play style. Temperature sensors or temperature and humidity sensors are low profile design with magnetic base for easy installation to rack.

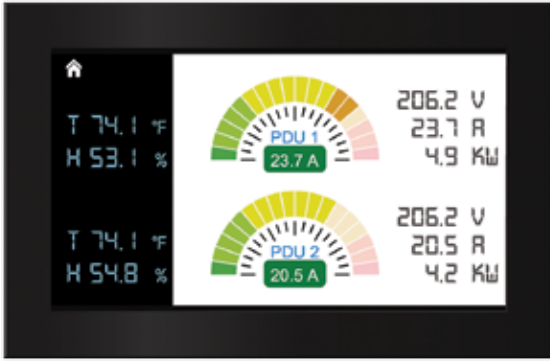
FEATURES

- External sensors include 2M (78.74 in.) cords
- Plug and Play
- Low profile design with magnetic base for easy affixing to the cabinet
- Pair of sensors can be connected to one single PDU meter

RackPower Temperature and Humidity Sensors

Catalog Number	Description
NPS1	Temperature Sensor includes 2M (78.74 in.) cable
NPS2	Temperature and Humidity Sensor includes 2M (78.74 in.) cable

DOOR-MOUNT PDU LCD DISPLAY



APPLICATION

Door-Mount PDU LCD Display externally monitors the PDU metrics inside the cabinet without opening the door to physically review the PDU's metrics.

FEATURES

- Saves time monitoring PDU metrics from outside the cabinet
- Prevents entering cabinet to monitor PDU metrics.
- Easy magnetic mounting installation
- No cabinet door cutout required
- Optional mounting screw kit included
- Display horizontally or vertically
- Plug-and-Play connectivity
- Resistive touch screen
- Smart and stylish design
- With corresponding PDU connected sensors, it monitors voltage, current, power, temperature, humidity and air flow

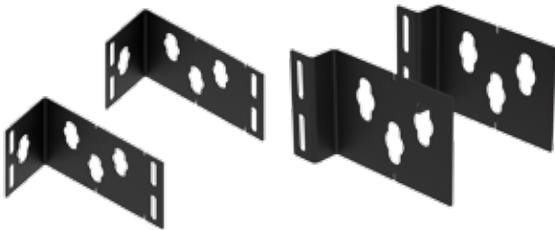
SPECIFICATIONS

- 4.3-inch (109mm) display size
- 480 x 272 display resolution
- RJ-11 cables connection

BULLETIN: DPDU

Catalog Number	Height mm/in.	Width in./mm	Depth in./mm	Display Type	Screen Size in./mm	Resolution
LCD4INDRMT	5.24 133	3.54 90	0.67 17	LCD	4.3 109	480 x 272

PDU MOUNTING BRACKET

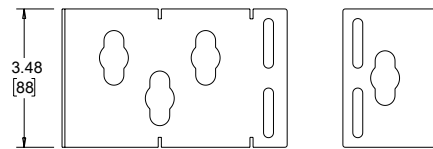
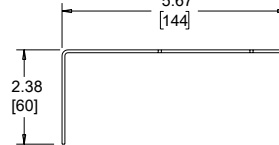


PDU mounting brackets allow PDUs to be installed to the cabinet frame or rack angles using many different configurations. Kit includes two brackets and mounting hardware.

BULLETIN: DPDU

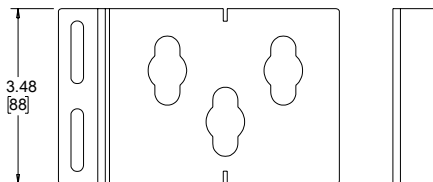
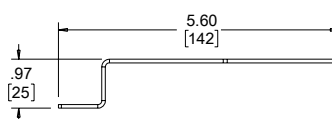
Catalog Number	Color	Color Code	Finish	Thickness (ga.)	Pkg Qty
DPDU2	Jet Black	RAL 9005	Powder Coated	14	2
DPDU3	Jet Black	RAL 9005	Powder Coated	14	2

DPDU2



89179656

DPDU3



89216822