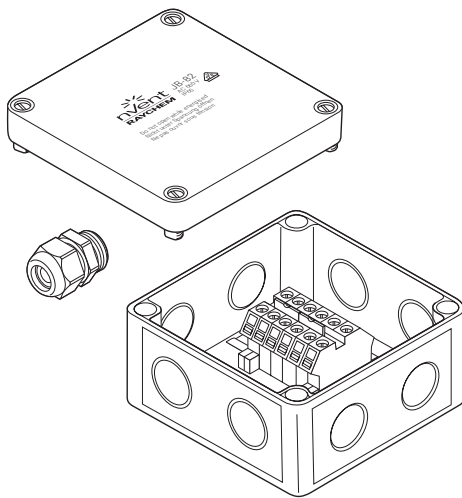


Junction box

PRODUCT OVERVIEW



The nVent RAYCHEM JB-82 is a standard, non-hazardous polycarbonate junction box.

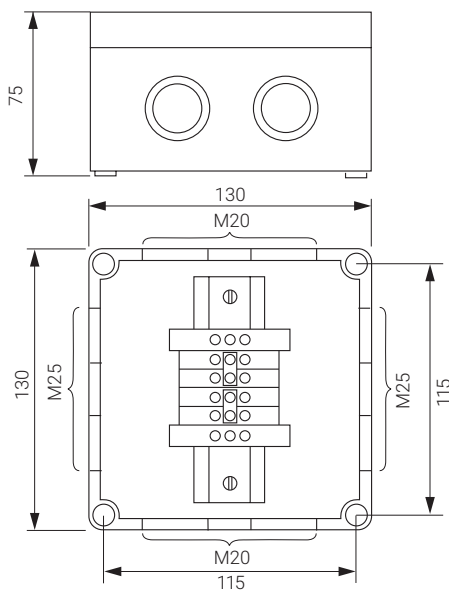
It may be used to make a power connection, splice, powered splice, powered tee or simple tee, for use with nVent RAYCHEM industrial parallel heating cables.

Up to four heating cables or three heating cables and the appropriate size power cable can be accommodated through the four entries and connected to the rail mounted terminals.

For pipe mounting, it is recommended that this box is used with a nVent RAYCHEM support bracket.

PRODUCT SPECIFICATIONS

Dimensions (in mm)



Enclosure

Protection	IP66
Entries	4 x M20 and 4 x M25
Exposure temperature	-35°C to +115°C
Base	Grey glass filled polycarbonate
Lid	Grey polycarbonate
Lid gasket	Foamed polyurethane

Phase terminals

Conta-Clip RK6-10	Din rail mounted
Voltage rating	750 Vac
Max. conductor size	0.5-10 mm ² (solid and stranded)
Current rating	61 A
Quantity	Two cross-connected groups of two

Earth terminals

2 Conta-Clip SL10/35

Mounting

Through holes moulded in the base of the junction box

Centres	115 x 115 mm
Size	5 mm diameter
Cable gland	Polyamide with locknut for cable diameters from 9 to 16 mm

APPROVALS

For use in ordinary areas; in- and outdoors

Product certification



ORDERING INFORMATION

Part description	JB-82
PN (Weight)	535679-000 (0.47 kg)

Accessories

Junction box support bracket	SB-100, SB-101, SB-110, SB-111
------------------------------	--------------------------------

North America

Tel +1.800.545.6258
Fax +1.800.527.5703
thermal.info@nVent.com

Europe, Middle East, Africa

Tel +32.16.213.502
Fax +32.16.213.604
thermal.info@nVent.com

Asia Pacific

Tel +86.21.2412.1688
Fax +86.21.5426.3167
cn.thermal.info@nVent.com

Latin America

Tel +1.713.868.4800
Fax +1.713.868.2333
thermal.info@nVent.com



Our powerful portfolio of brands:

CADDY ERICO HOFFMAN RAYCHEM SCHROFF TRACER