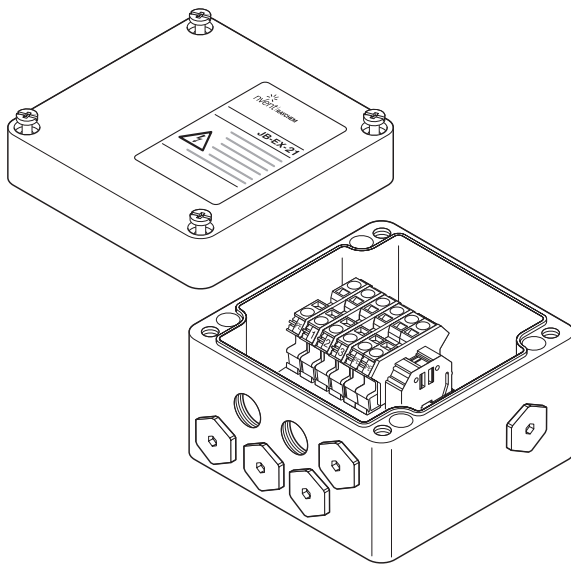


Multi purpose junction box

PRODUCT OVERVIEW



Industrial polyester junction box for use in hazardous areas. This box can be used to make connections between power cables, heating cables and cold lead cables using M20 connection kits. Depending on the configuration of the system, the box can accommodate six heating cables/cold leads and a power cable. M20 connection kits have to be ordered separately depending on the type of heating cable being used. Cable connection is accomplished via DIN rail mounted spring-type terminals.

The box can be either wall or pipe mounted via the four holes moulded in the base of the box. For pipe mounting use one of the standard support bracket.

Typical use

Power supply box, end-box, splice box (3-phase and loop), marshalling box.

Entries

6 x M20

1 x M32

Kit contents

1 x junction box with terminals on DIN rail

4 x M20 stopping plugs

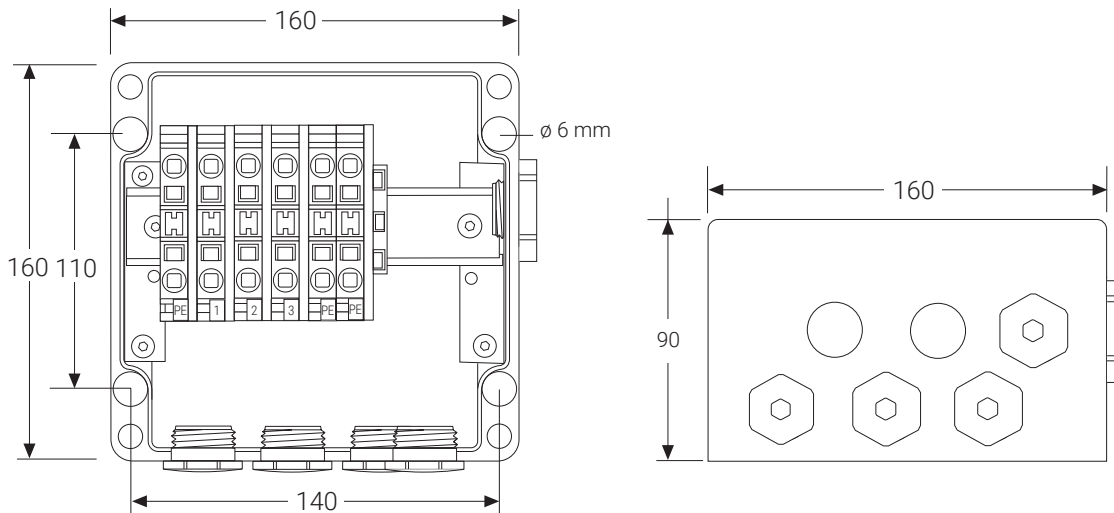
2 x M20 rain plug (temporary)

1 x M32 stopping plug

1 x terminal jumper allowing various wiring configurations (remove terminal plate)

PRODUCT SPECIFICATIONS

Dimensions (in mm)



Materials of construction

| | |
|-------------------|---|
| Box & lid | Electrostatic charge-resistant glass-filled engineered polymer, black |
| Sealing gasket | Silicone rubber |
| Lid fixing screws | Stainless steel (captive) |

Technical details

| | |
|---------------------------|----------------|
| Ingress protection | IP66 |
| Ambient temperature range | -55°C to +55°C |

Terminals

| | |
|---------------------------|---------------------------------------|
| Quantity | 6 pc. |
| Type | Spring-type |
| Labeling | 1, 2, 3, 3 x PE |
| Maximum conductor size | 10 mm ² (solid & stranded) |
| Maximum operating voltage | 550 Vac |
| Maximum operating current | 53 A |

APPROVALS

For use in ordinary and hazardous area Zone 1 and Zone 2 (Gas), Zone 21 and Zone 22 (Dust)

Temperature classification

T6

Product certification



More details about product certification, approvals and conditions of safe use are available in the installation manual at www.nVent.com/RAYCHEM.

ORDERING INFORMATION

| | |
|----------------------|------------------------|
| Order reference | nVent RAYCHEM JB-EX-21 |
| Part number (Weight) | 1244-000579 (1.2 kg) |

Accessories (to be ordered separately)

| | JB-EX-20 | JB-EX-21 |
|---|--|---|
| Support Bracket | SB-100, SB-101, SB-110, SB-111 | SB-100, SB-101 |
| Power cable gland | GL-55-M25 (included) up to -55°C, 8-15 mm | GL-45-M32 hazardous area approved gland for cables Ø 14-21 mm, up to -55°C |
| Loose terminals (*) | Phase/neutral terminal: HWA-WAGO-PHASE Earth terminal: HWA-WAGO-EARTH End plate: HWA-WAGO-ENDPLATE Terminal jumper: HWA-WAGO-JUMPER | |
| Connection kit for FMT and FHT heating cables | C20-01-F hot applied connection kit with plastic gland | C20-02-F hot applied connection with metal gland |
| Insulation entry kit for FMT and FHT heating cables | IEK-25-04 or IEK-25-PIPE | IEK-25-04 or IEK-25-PIPE |
| Gland for PI cold leads | C20-PI-PA-KIT Hazardous area approved gland, PA, up to -40°C | C20-PI-M0-KIT Hazardous area approved gland, Ni plated brass, up to -55°C (to be used with boxes with integral earth plate or with earth lug) |
| Insulation entry kit for PI cold leads | IEK-20-PI | IEK-20-PI |
| Stopping plug | HWA-PLUG-M20-EXE-PLASTIC | HWA-PLUG-M20-EXE-PLASTIC |

(*) in total no more than 10 terminals should be installed.

North America

Tel +1.800.545.6258
Fax +1.800.527.5703
thermal.info@nVent.com

Europe, Middle East, Africa

Tel +32.16.213.502
Fax +32.16.213.604
thermal.info@nVent.com

Asia Pacific

Tel +86.21.2412.1688
Fax +86.21.5426.3167
cn.thermal.info@nVent.com

Latin America

Tel +1.713.868.4800
Fax +1.713.868.2333
thermal.info@nVent.com



Our powerful portfolio of brands:

CADDY ERICO HOFFMAN ILSCO RAYCHEM SCHROFF