

# JB-EX-40-EP

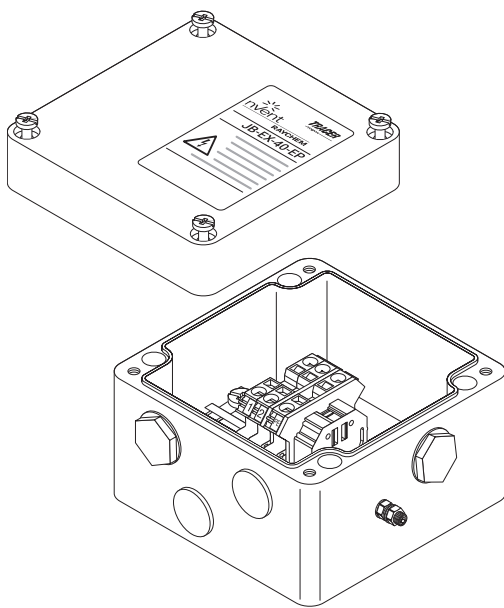


RAYCHEM

## CONNECT AND PROTECT

### Multi purpose junction box

#### PRODUCT OVERVIEW



Industrial polyester junction box with earth plate for use in hazardous areas. This box can be used to make connections between power cables, heating cables and cold lead cables using M25 metallic connection kits or glands. Earthing of the connections is realized via the earth plate

Depending on the configuration of the system, the box can accommodate 3 cold lead entries and/or a power cable.

M25 connection kits have to be ordered separately or are integrated in the heating unit (eg MI heating units), depending on the type of heating cable being used. Cable connection is accomplished via DIN rail mounted spring-type terminals.

The box can be either wall or pipe mounted via the four holes moulded in the base of the box. For pipe mounting use one of the standard support bracket.

#### Typical use

Power supply box, end-box (3-Phase), marshalling box.

#### Entries

3 x M25

1 x M25

#### Kit contents

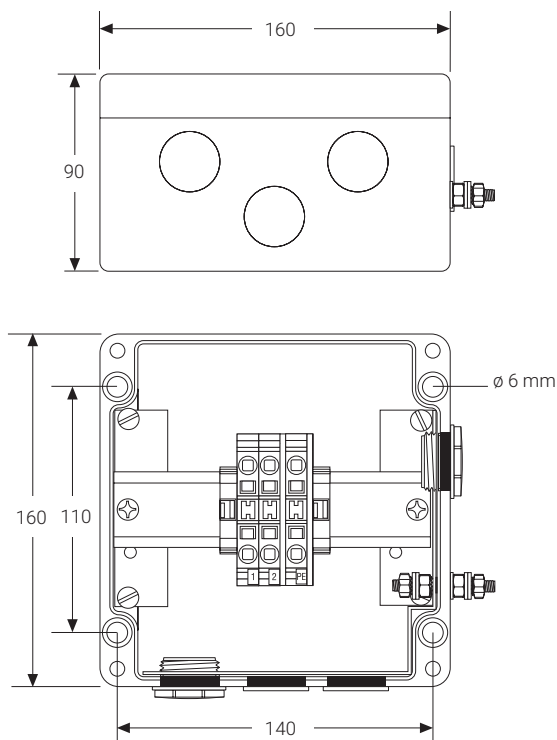
1 x junction box with terminals on DIN rail

2 x M25 stopping plugs

2 x M25 rain plug (temporary)

## PRODUCT SPECIFICATIONS

### Dimensions (in mm)



### Materials of construction

Box & lid	Electrostatic charge-resistant glass-filled engineered polymer, black
Sealing gasket	Silicone rubber
Lid fixing screws	Stainless steel (captive)

### Technical details

Ingress protection	IP66
Ambient temperature range	-55°C to +55°C

### Terminals

Quantity	3 pc
Type	Spring-type
Labeling	1, 2, PE
Maximum conductor size	10 mm <sup>2</sup> (solid & stranded)
Maximum operating voltage	550 Vac
Maximum operating current	53 A

## APPROVALS

For use in ordinary and hazardous area Zone 1 and Zone 2 (Gas), Zone 21 and Zone 22 (Dust)

### Temperature classification

T6

### Product certification

Present logos of available certificates



More details about product certification, approvals and conditions of safe use are available in the installation manual at [www.nVent.com/RAYCHEM](http://www.nVent.com/RAYCHEM).

## ORDERING INFORMATION

Order reference	JB-EX-40-EP
PN (Weight)	1244-020505 (1.6 kg)

### Accessories (to be ordered separately)

Support bracket	SB-100, SB-101, SB-130 (for fixation to cable tray)
Gland for MI cold leads	Integrated in MI heating unit or contact Thermal management for more information
Gland for power cable	GL-55-M25 (Polyamide) up to -55°C, 8-15 mm GL-38-M25-METAL (Ni plated brass) up to -60°C, inner diam. 10-13.5 mm, outer diam. 13.5-21 mm
Loose terminals (*)	Phase/neutral terminal: HWA-WAGO-PHASE Earth terminal: HWA-WAGO-EARTH End plate: HWA-WAGO-ENDPLATE Terminal jumper: HWA-WAGO-JUMPER

(\*) in total no more than 7 terminals should be installed.

### North America

Tel +1.800.545.6258  
Fax +1.800.527.5703  
thermal.info@nVent.com

### Europe, Middle East, Africa

Tel +32.16.213.502  
Fax +32.16.213.604  
thermal.info@nVent.com

### Asia Pacific

Tel +86.21.2412.1688  
Fax +86.21.5426.3167  
cn.thermal.info@nVent.com

### Latin America

Tel +1.713.868.4800  
Fax +1.713.868.2333  
thermal.info@nVent.com



Our powerful portfolio of brands:

**CADDY ERICO HOFFMAN RAYCHEM SCHROFF TRACER**