

# JB-MB-25/16MM2 and JB-MB-26/16MM2

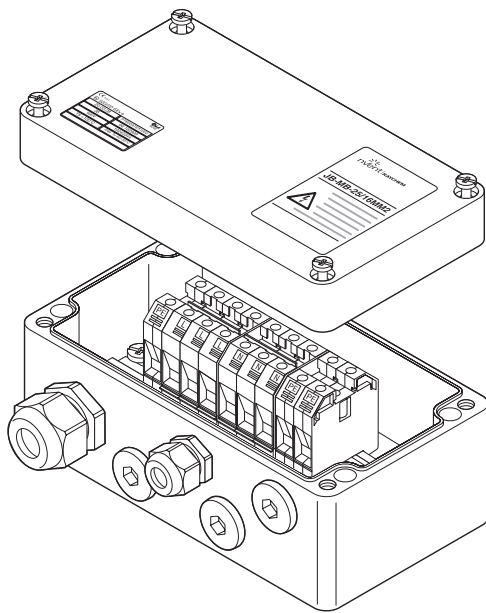


**RAYCHEM**

**CONNECT AND PROTECT**

## Marshalling box

### PRODUCT OVERVIEW



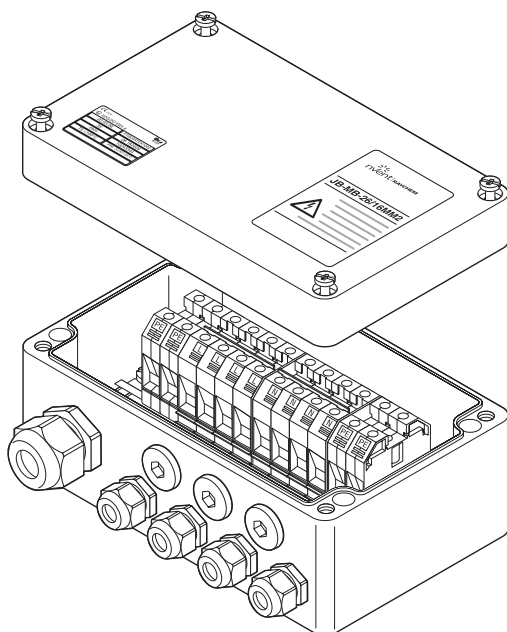
Both connection boxes are ATEX approved polyester marshalling boxes that can be used in hazardous areas.

The nVent RAYCHEM JB-MB-25/16MM2 is intended to split a power cable into a maximum of four subsequent heat-tracing feeders, while the JB-MB-26/16MM2 allows the connection of maximum seven subsequent heat-tracing feeders. They are particularly suited for powering multiple short heat-tracing circuits from a single supply point, typically in instrumentation areas or where the power infrastructure is limited.

Cable connection is accomplished via DIN rail mounted screw terminals that allow the connection of a wide range of cable cross sections. The terminals are already equipped with the necessary terminal jumpers to minimize installation time.

Both boxes can be wall mounted via the four holes moulded in base of each box.

The JB-MB-25/16MM2 can also be pipe mounted with a standard support bracket.



## Typical use

| JB-MB-25/16MM2  | JB-MB-26/16MM2  |
|-----------------|-----------------|
| Marshalling box | Marshalling box |

## Entries

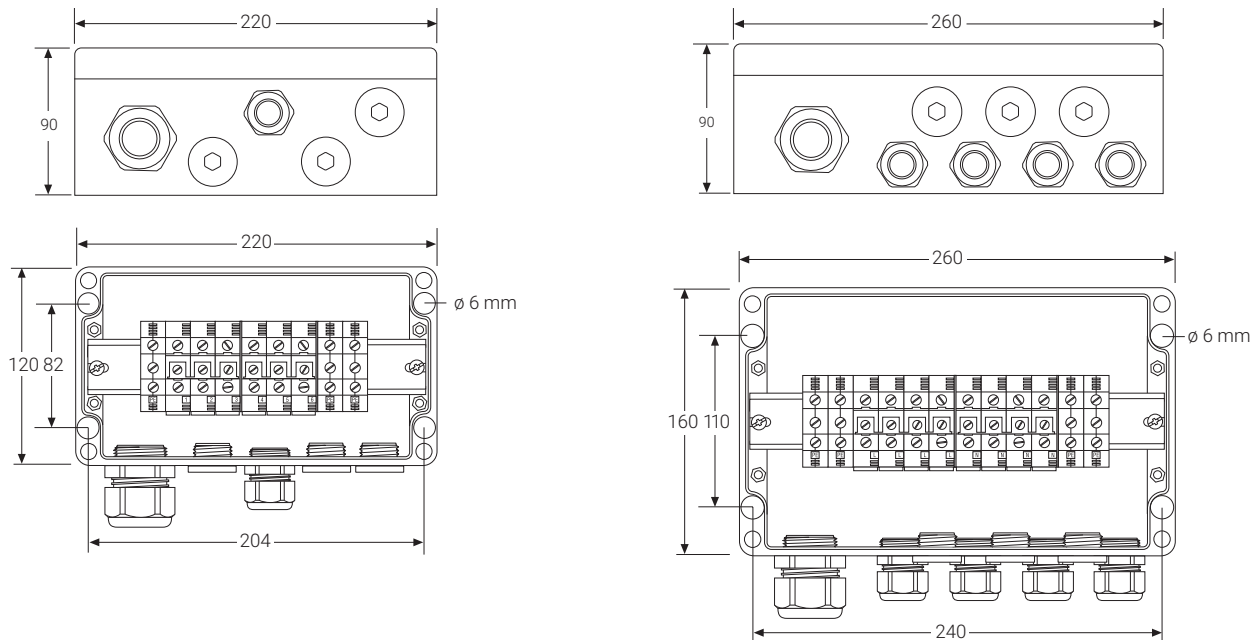
|         |         |
|---------|---------|
| 1 x M32 | 1 x M32 |
| 4 x M25 | 7 x M25 |

## Kit contents

|   |   |
|---|---|
| 1 junction box with Weidmüller screw terminals on DIN rail, two sets bridged per three and three earth terminals, | 1 junction box with Weidmüller screw terminals on DIN rail, two sets bridged per four and four earth terminals, |
| 1 M32 Hazardous area approved cable gland for power cables with $\varnothing$ of 14 to 21 mm,                     | 1 M32 Hazardous area approved cable gland for power cables with $\varnothing$ of 14 to 21 mm,                   |
| 1 M25 Hazardous area approved cable gland for power cables with $\varnothing$ of 8 to 15 mm,                      | 4 M25 Hazardous area approved cable glands for power cables with $\varnothing$ of 8 to 15 mm,                   |
| 3 M25 stopping plugs  | 3 M25 stopping plugs  |

## PRODUCT SPECIFICATIONS

### Dimensions (in mm)



### Materials of construction

|                   | JB-MB-25/16MM2            | JB-MB-26/16MM2            |
|-------------------|---------------------------|---------------------------|
| Box & lid         | Glass filled polyester    | Glass filled polyester    |
| Sealing gasket    | Silicone rubber           | Silicone rubber           |
| Lid fixing screws | Stainless steel (captive) | Stainless steel (captive) |

## Technical details

|                           | JB-MB-25/16MM2   | JB-MB-26/16MM2  |
|---------------------------|--|---|
| Ingress protection        | IP66   | IP66  |
| Ambient temperature range | -55°C to +55°C   | -55°C to +55°C  |
| <b>Terminals</b>          |  |   |
| Quantity & type           | 9 pcs Weidmüller screw terminals, bridged per 3, 6 x WDU16, 3 x WPE16, Max. 8 fully loaded phase/neutral terminals; max. 12 terminals in total | 12 pcs Weidmüller screw terminals, bridged per 4, 8 x WDU16 and 4 x WPE16, Max. 10 fully loaded phase/neutral terminals; max. 15 terminals in total |
| Labelling                 | 1, 2, 3, 4, 5, 6 and PE  | L, N and P.E.   |
| Minimum conductor size    | 1.5 mm <sup>2</sup> stranded & solid   | 1.5 mm <sup>2</sup> stranded & solid  |
| Maximum conductor size    | 25 mm <sup>2</sup> stranded, 16 mm <sup>2</sup> solid  | 25 mm <sup>2</sup> stranded, 16 mm <sup>2</sup> solid   |
| Maximum operating voltage | 550 Vac  | 550 Vac   |
| Maximum operating current | 50 A   | 50 A  |

## APPROVALS

For use in ordinary and hazardous area Zone 1 and Zone 2 (Gas), Zone 21 and Zone 22 (Dust)

### Temperature classification

T6

### Product certification



More details about product certification, approvals and conditions of safe use are available in the installation manual at [www.nVent.com/RAYCHEM](http://www.nVent.com/RAYCHEM).

## ORDERING INFORMATION

|                      |                      |                      |
|----------------------|----------------------|----------------------|
| Order reference      | JB-MB-25/16MM2       | JB-MB-26/16MM2       |
| Part number (Weight) | 1244-006656 (0.9 kg) | 1244-006657 (1.9 kg) |

### Accessories (to be ordered separately)

|  |   |   |
|--|---|---|
| Support bracket<br>PN                          | SB-125<br>165886-000                            | N.A. (wall mounting)                            |
| M25 Power cable gland<br>PN                    | GL-55-M25 (1 included)<br>1244-019083           | GL-55-M25 (4 included)<br>1244-019083           |
| M32 Power cable gland<br>PN                    | GL-45-M32 (included)<br>1244-000847             | GL-45-M32 (included)<br>1244-000847             |
| M25 Stopping plug<br>PN                        | HWA-PLUG-M25-PLASTIC (3 included)<br>434994-000 | HWA-PLUG-M25-PLASTIC (3 included)<br>434994-000 |
| 16 mm <sup>2</sup> Phase terminal<br>PN        | HWA-WDM-PHASE-16 (6 included)<br>1244-006992    | HWA-WDM-PHASE-16 (8 included)<br>1244-006992    |
| 16 mm <sup>2</sup> Earth terminal<br>PN        | HWA-WDM-EARTH-16 (3 included)<br>1244-006993    | HWA-WDM-EARTH-16 (4 included)<br>1244-006993    |
| Terminal jumper for bridging 2 terminals<br>PN | HWA-WDM-JUMPER-16-2<br>1244-006997              | HWA-WDM-JUMPER-16-2<br>1244-006997              |
| Terminal jumper for bridging 3 terminals<br>PN | HWA-WDM-JUMPER-16-3 (2 included)<br>1244-006998 | HWA-WDM-JUMPER-16-3<br>1244-006998              |
| Terminal jumper for bridging 4 terminals<br>PN | HWA-WDM-JUMPER-16-4<br>1244-006999              | HWA-WDM-JUMPER-16-4 (2 included)<br>1244-006999 |
| Endplate<br>PN                                 | HWA-WDM-PLATE<br>124-007004                     | HWA-WDM-PLATE<br>1244-007004                    |

**North America**

Tel +1.800.545.6258  
Fax +1.800.527.5703  
thermal.info@nVent.com

**Europe, Middle East, Africa**

Tel +32.16.213.502  
Fax +32.16.213.604  
thermal.info@nVent.com

**Asia Pacific**

Tel +86.21.2412.1688  
Fax +86.21.5426.3167  
cn.thermal.info@nVent.com

**Latin America**

Tel +1.713.868.4800  
Fax +1.713.868.2333  
thermal.info@nVent.com



Our powerful portfolio of brands:

**CADDY ERICO HOFFMAN RAYCHEM SCHROFF TRACER**