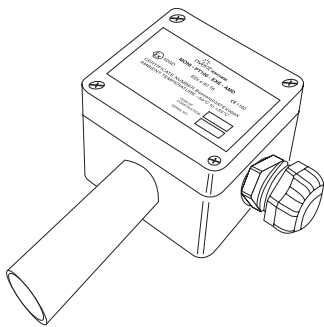


MONI-PT100-EXE-AMB

CONNECT AND PROTECT

Ambient sensing temperature sensor for hazardous area (PT100)

PRODUCT OVERVIEW



nVent RAYCHEM MONI-PT100-EXE-AMB is a PT100 temperature sensor connected to a glass fiber reinforced junction box, equipped with a preinstalled M20 gland. The unit is approved for hazardous areas.

The metal tube around the sensor gives mechanical protection and prevents the sensor for sudden temperature changes like by direct sunlight and/or wind.

PRODUCT SPECIFICATIONS

Sensor

Type	PT100 (3-Wire) acc. DIN IEC 751, Class B
Material	Sensor: stainless steel (MI) Protection tube: brass
Temperature measuring range	Assembly -50°C to $+60^{\circ}\text{C}$ (Sensor measuring range from -100°C to $+500^{\circ}\text{C}$)

Enclosure

Material	Glass fiber reinforced box (Black) M4 captive stainless steel cover screws.
Ingress protection	IP66
Dimensions	Box: Width = 80 mm Height = 75 mm Depth = 55 mm Installed: Width = ~ 110 mm Height = ~ 200 mm
Cable entry	M20 suitable for cable diameters ranging from 10 mm to 14 mm
Operating temperature	-50°C to $+60^{\circ}\text{C}$
Mounting	Surface mount via molded holes centered at 68 x 45 mm. Any installation position is allowed.

Installation and connection

Terminals	4 front entry cage clamp terminals suitable for cables from 0.5 to 2.5 mm ²
-----------	--

APPROVALS

For use in ordinary and hazardous area Zone 1 and Zone 2 (Gas), Zone 21 and Zone 22 (Dust)

Temperature classification:

T6

Product certification



More details about product certification, approvals and conditions of safe use are available in the installation manual at www.nVent.com/RAYCHEM

ORDERING INFORMATION

Part number	1244-004451
-------------	-------------

North America

Tel +1.800.545.6258
Fax +1.800.527.5703
thermal.info@nVent.com

Europe, Middle East, Africa

Tel +32.16.213.502
Fax +32.16.213.604
thermal.info@nVent.com

Asia Pacific

Tel +86.21.2412.1688
Fax +86.21.5426.3167
cn.thermal.info@nVent.com

Latin America

Tel +1.713.868.4800
Fax +1.713.868.2333
thermal.info@nVent.com



Our powerful portfolio of brands:

CADDY ERICO HOFFMAN RAYCHEM SCHROFF TRACER