

# MONI-PT100-4/20MA

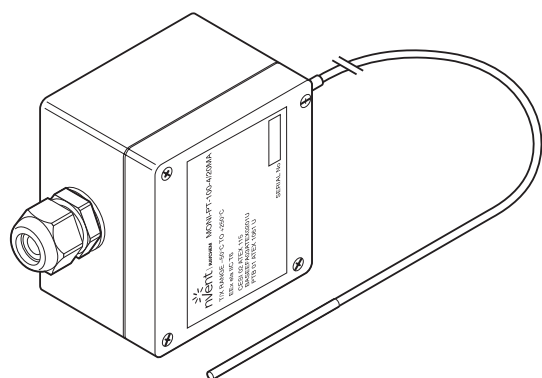


RAYCHEM

CONNECT AND PROTECT

## 3 Wire PT 100 sensor with 4 to 20 mA transmitter for hazardous area

### PRODUCT OVERVIEW



nVent RAYCHEM PT 100 sensor connected to a 4-20 mA transmitter built in a black glass fiber reinforced polyester junction box with M20 cable gland (Blue).

### PRODUCT SPECIFICATIONS

#### Sensor

Type	PT 100 (3 wire) DIN IEC 751, Class B.
Material	Extension cable and tip both stainless steel (MI).
Temperature measuring range:	-50°C to +250°C (transmitter)
Maximum exposure temp. tip	+585°C
Length	2 m
Diameter	ca 3 mm
Minimum bending radius	Extension cable: 20 mm, the measuring tip should not be bent

#### Enclosure

Ingress protection	IP66
Material	Glass fiber reinforced polyester (black)
Dimensions	Width = 80 mm Height = 75 mm Depth = 55 mm
Cable gland	M20, blue (EEx e) suitable for cable diameters ranging from 10 mm to 14 mm
Operating temperature	-20°C to +55°C
Sealing gasket material	Tongue and groove system with silicone seal
Cover screws	Stainless steel M4 threaded
For pipe mounting use	JB-SB-26

#### Installation and connection

Terminals	2 screw terminals
Terminal sizing	Suitable for cables from 0.5 mm <sup>2</sup> to 1.5 mm <sup>2</sup>

## APPROVALS

For use in hazardous area Zone 1 (Gas)

### Temperature classification

T6...T4

### Product certification



More details about product certification, approvals and conditions of safe use are available in the installation manual at [www.nVent.com/RAYCHEM](http://www.nVent.com/RAYCHEM).

## ORDERING INFORMATION

Part Description	MONI-PT100-4/20MA
PN (Weight)	704058-000 (0.46 kg)

### North America

Tel +1.800.545.6258  
Fax +1.800.527.5703  
[thermal.info@nVent.com](mailto:thermal.info@nVent.com)

### Europe, Middle East, Africa

Tel +32.16.213.502  
Fax +32.16.213.604  
[thermal.info@nVent.com](mailto:thermal.info@nVent.com)

### Asia Pacific

Tel +86.21.2412.1688  
Fax +86.21.5426.3167  
[cn.thermal.info@nVent.com](mailto:cn.thermal.info@nVent.com)

### Latin America

Tel +1.713.868.4800  
Fax +1.713.868.2333  
[thermal.info@nVent.com](mailto:thermal.info@nVent.com)



Our powerful portfolio of brands:

**CADDY ERICO HOFFMAN RAYCHEM SCHROFF TRACER**