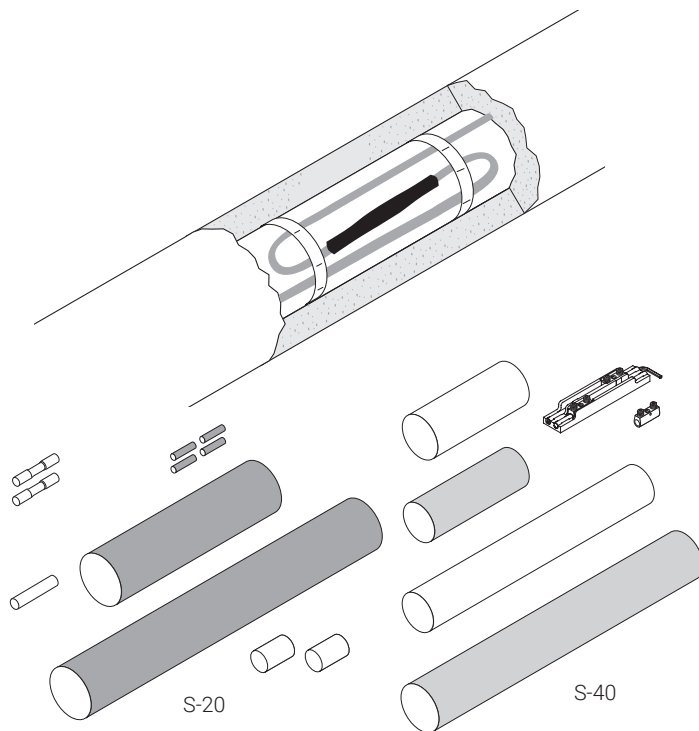


S-20 and S-40

CONNECT AND PROTECT

Heat-shrink under insulation in-line splice kit

PRODUCT OVERVIEW



These splice kits are designed for the in-line joining of nVent RAYCHEM BTV, QTVR, XTVR, HTV and VPL self-regulating heating cables.

The nVent RAYCHEM S-20 kit is designed for use with BTV and QTVR heating cables and the S-40 kit is for use with XTVR, HTV and VPL heating cables.

All kits are approved for use in hazardous areas.

The splice kits employ easy to use heat-shrinkable tubing with an adhesive, that when heated, forms a semi-flexible moisture proof encapsulation. The S-40 kit is supplied with a removable caddy to make the installation quick and easy.

The S-20 kit uses crimp electrical connections, while the S-40 kit utilizes screw terminals.

Due to their low profile designs, the finished splices can be installed under the insulation, directly on the pipe.

Application

	S-20	S-40
	In-line splice kit for BTV and QTVR heating cables	In-line splice kit for XTVR, HTV and VPL heating cables

Kit contents

	Heat shrinkable sleeves Crimp splice connectors	Heat shrinkable sleeves, with installation aid, screw terminals and an allen (hex) wrench
--	--	--

PRODUCT SPECIFICATIONS

Technical details

	S-20	S-40
Maximum exposure temperature	110°C (230°F)	260°C (500°F)
Maximum current rating	35 A (with QTVR cables)	
Final dimensions	Length approximately 180 mm (7 inches) Diameter approximately 20 mm (0.8 inches)	Length approximately 300 mm (11.8 inches) Diameter approximately 20 mm (0.8 inches)
Minimum ambient temperature	-60°C (-76°F)	-60°C (-76°F)

Installation details

Gas torch or equivalent	Minimum 1460 W hot air gun	Minimum 3000 W hot air gun
Minimum installation temperature	-20°C (-4°F)	-60°C (-76°F)

APPROVALS

For use in ordinary and hazardous area Zone 1 (Gas), Zone 21 (Dust) and Div 2

Temperature classification

Temperature classification is defined by the complete system.

Product certification



More details about product certification, approvals and conditions of safe use are available in the installation manual at www.nVent.com/RAYCHEM.

ORDERING INFORMATION

Part description	S-20	S-40
PN (Weight)	1244-022490 (0.05 kg)	1244-022492 (0.11 kg)

The installation of the S-40 requires a high power heat gun and an experienced installer.

North America

Tel +1.800.545.6258
Fax +1.800.527.5703
thermal.info@nVent.com

Europe, Middle East, Africa

Tel +32.16.213.502
Fax +32.16.213.604
thermal.info@nVent.com

Asia Pacific

Tel +86.21.2412.1688
Fax +86.21.5426.3167
cn.thermal.info@nVent.com

Latin America

Tel +1.713.868.4800
Fax +1.713.868.2333
thermal.info@nVent.com



Our powerful portfolio of brands:

CADDY ERICO HOFFMAN RAYCHEM SCHROFF TRACER